

HD-SDI Cameras & Domes

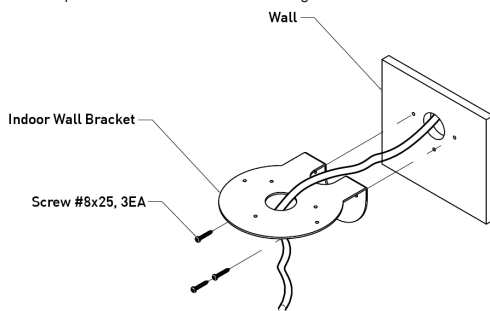
GBR-WA05 Wall bracket for GCH-KxxxxD series

GBR-WA05.71.1.05.07.2012
© ASP AG

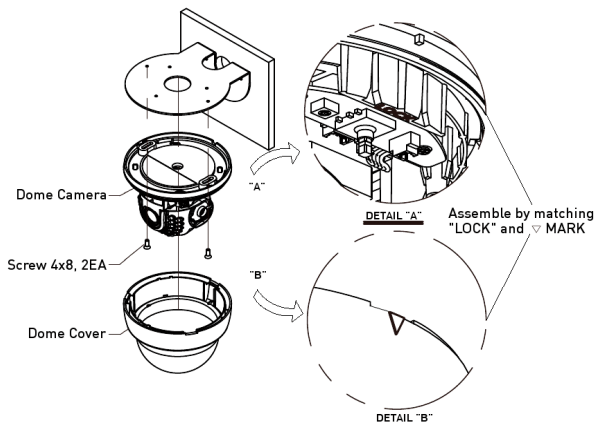


3.2. Mounting

Mark the screwing holes with the included Mounting Template and drill the holes. Connect the Adapter Bracket as shown in the drawing to the wall.



Make sure the cables are led freely through the Bracket as shown in the previous drawing and that all screws are fixed tightly. Connect the Dome Camera to the Wall Bracket as shown in the following drawing.



Content:

1. Introduction	1
2. Package Contents & Needed Items	1
3. Installation	1
1. Installation Remarks	1
2. Mounting	2

1. Introduction

The GBR-WA05 can be used to mount the cameras GCH-K0323D & GCH-K0326D to a wall. The items and tools needed for this mounting are listed as follows.

2. Package Contents & Needed Items

These parts are included:

- Wall Mount
- 3x Phillips Screw 8x25
- 3x Phillips Screw 4x8
- Installation Instructions
- Mounting Template

Tools needed:

- Tool for drilling
- Phillips Screw Driver

3. Installation

3.1. Installation Remarks

Install the mount onto a structure such as a concrete wall, steel beam, gypsum wall etc.

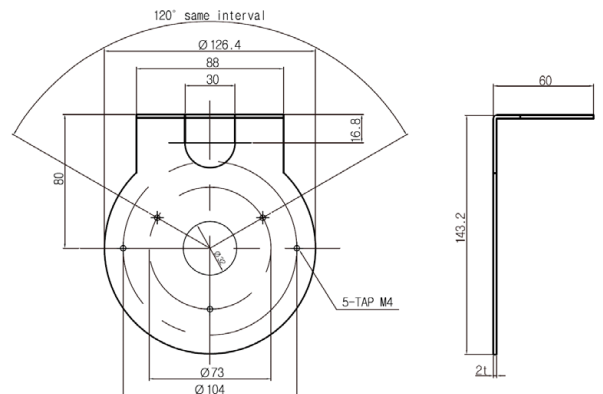
When installing the mount on to concrete only use specific concrete screws and plugs, all the screw parts must be metallic.

When installing the mount onto wood avoid screwing too close to the edge of a piece of wood.

Specifications GBR-WA05

Suitable for	GCH-K0323D, GCH-K0326D
Load max.	2 kg
Body material	Steel
Colour	White
Weight	0.250 kg
Dimensions (wxhxd)	1426.4 x 60 x 143.2 mm

Dimensions



Attention:

Please do not make any page size adjustments in the printer settings when printing this Mounting Template.

