

GBR-IC02

Flush-Mount Adapter for Vandal-Resistant IP Dome Camera

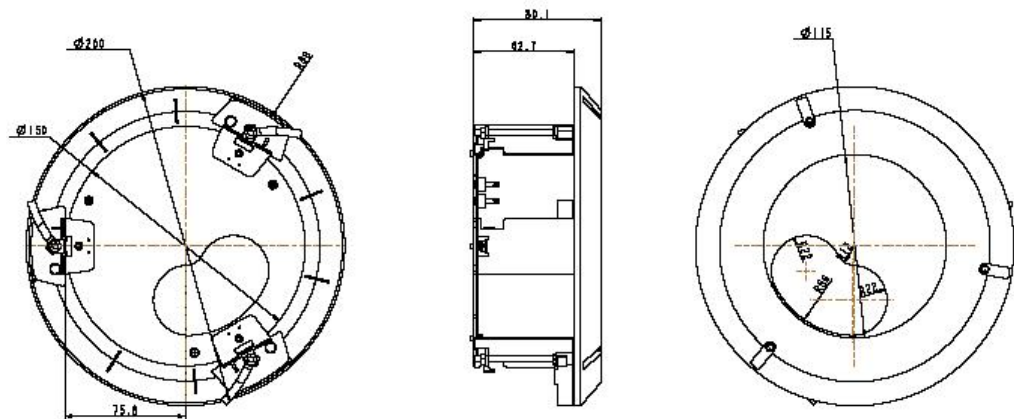


- Flush ceiling mount for IP Megapixel Fixed Dome Camera

SPECIFICATIONS

Suitable for	GCI-K1526V(H), GCI-K1523V, GCI-K1585V, GCI-K1586V, GCI-H0522V, GCI-K0322V
Body material	Aluminium + Plastic
Colour	White
Weight	0.38 kg
Dimensions w*h*d	ø 200 x 80 mm

DIMENSIONS



FRONT VIEW

