

# GCA-B1305B

1/3" CCD Colour/B&W Camera, WDR, 700L, 12VDC/24VAC



- Digital Noise Reduction (DNR), Digital Image Stabilization (DIS), On Screen Menu (OSD), Privacy Zone Masking, Remote Control Interface, H/V-Reverse
- 650 TV Lines (colour), 700 TV Lines (B/W) excellent high horizontal resolution
- High Sensitivity of 0,001 Lux
- WDR function, Colour/B&W function with removable IR cut filter
- High Light Compensation (Conversion of peaklight into greyscale)
- Power Input AC24V/DC12V

## SUMMARY

---

Grundig Analogue DSP Cameras

High quality, reliable and effective.

Grundig analogue cameras have been designed and built to the very highest standards. Grundig has selected components which deliver outstanding image quality, including the very best image sensors and digital signal processors (DSPs). The cameras have been designed for up-to-date surveillance applications, incorporating functionality such as extended dynamic range, digital noise reduction, high light compression and more.

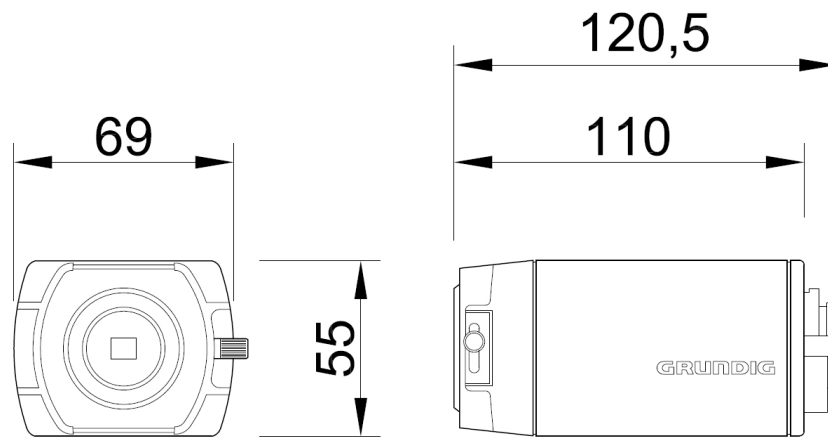
All the cameras in the Grundig analogue range have unique features in different housings to suit all eventualities. Outdoor options include Bullet cameras with infrared LED and vandal-resistant domes and indoor options include a large range of dome cameras

## SPECIFICATIONS

Image Sensor	1/3" CCD Sony 960H Super HAD II
Scanning System	PAL, 50Hz, 625L (V), 2:1 Inter Line Transfer
Pixels - Effective	976(H) x 582(V)
Resolution	650 (H) lines colour, 700 (H) lines b&w
Col/B&W	On/Off/Auto/Ext, IR-cut filter removable (ICR)
Sensitivity Colour	0.01 Lux (50IRE) @ F1.2
Sensitivity B&W	0.001 Lux (50IRE) @ F1.2
S/N Ratio	>52dB (AGC off)
Lens Mount	C/CS mount with adaptor
Lens Drive Type	Auto iris (DC)
Sens Up	Off ~ x512, auto
Motion Detection	On/Off
Number of Privacy Zones	15 ea
Wide Dynamic Range	Normal / Light / Full
High Speed Shutter	1/50 ~ 1/10.000 sec, auto
BLC	BLC / HLC / off
AGC	Off, On (x0.25/x0.5/x0.75/x1)
Digital Noise Reduction (DNR)	Low/Midlow/Mid/Midhigh/High/Off (2D/3D)
Digital Image Stabilization (DIS)	Off/On
Additional Features	H/V Reverse, High Light Compensation, E-Zoom
OSD	Yes (DE,EN,ES,FR,RU,PT,JP)
Camera ID	52 character, 2 lines
White Balance	ATW/PUSH/Anti CR/Manual/User 1/User 2
Remote Control	Coaxitron, data on coax cable
Video Outputs	1 CVBS (1Vpp), BNC
Humidity	less than 90%, non condensing
Operating Temperature	-10°C ~ +50°C
Supply Voltage	12 VDC / 24 VAC
Power Consumption	3 W
Weight	0.33 kg
Dimensions w*h*d	69 x 55 x 120.5 mm

## DIMENSIONS

---



## ACCESSORIES

---



GBR-WA03  
Camera Bracket

---