

GCH-K1327T

2 Megapixel Full HD CMOS Bullet HD-SDI Camera IR 42 LED WDR



- Full HD, 1920 x 1080p, up to 50/60 fps over coax
- WDR (Wide Dynamic Range) for extreme backlight situations
- 0 Lux: Integrated LED IR Illuminator
- 4-axis wall mount arm, for flexible installation
- IP 66 Certification
- Externally Adjustable Vario Focal Lens and DC Level
- Power Input AC24V/DC12V

SUMMARY

Based on the Television Standard for FullHD Television, HD-SDI products feature up to 2 Megapixel (1920x1080) pictures in real-time (30fps) transmitted over coax cabling.

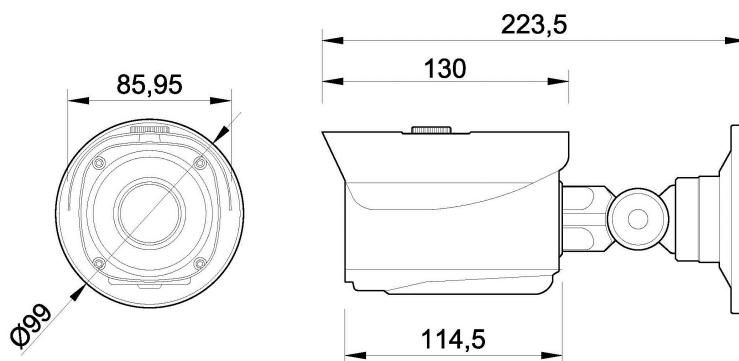
Get the advantages of IP technology without their drawbacks. Get 16:9 megapixel pictures without network configuration, bandwidth problems and network security risks. Use existing coax cables and only exchange the cameras and recorders. Get a "real" live picture and see the things that happen in the now, not a few seconds ago. Connect a monitor directly to a camera using only a HD-SDI-to-HDMI converter.

HD-SDI products are easy to handle, easy to install and produce amazing high quality pictures.

SPECIFICATIONS

Image Sensor	1/3" CMOS 2.1 Megapixel
Pixels - Total	2010(H) x 1108(V), 2.2M pixels
Pixels - Effective	1944(H) x 1092(V), 2.1M pixels
Scanning System	Progressive
Image Size	1920x1080, 1280x720
Frame Rate	30/60, 25/50 fps at 1080p; 30/60, 25/50 fps at 720p
Sensitivity Colour	0.5 Lux @ F1.2 (IRE50)
Sensitivity B&W	0 Lux LED IR on
Sens Up	x2 ~ x30
S/N Ratio	>50 dB
Shutter Speed	AUTO, FLK, 1/25 ~ 1/50.000 Sec., x2 ~ x30
Col/B&W	On/Off/Auto/Ext, IR-cut filter removable (ICR)
Focal Length	2.8 ~ 10 mm
Lens Drive Type	DC Auto Iris
IR LED	42 pcs.
Smart IR	Off / On
Max. IR Distance	30/45 m (according to scene reflexion)
OSD	Yes, multi language
Camera ID	15 character, On / Off
Flip/Mirror	On/Off
WDR	Off/Low/Middle/High
Number of Privacy Zones	8 (polygonal method)
BLC: Back Light	BLC, HSBL, OFF
Digital Noise Reduction (DNR)	2DNR/3DNR (Off/On)
Motion Detection	On/ Off/ Sensitivity/ Area setting
Sharpness	Off / On (0~15)
Digital Zoom	Off/x2 ~ x62
White Balance	ATW, AWB, AWC, Manual
De-Fog	Off/On Area Setting
Dead Pixel Compensation (DPC)	Live (On/Off/Auto), Static (On/Off)
Protection Rating	IP66
Video Outputs	1 Ch HD-SDI BNC or 1 Ch Composite BNC
Operating Temperature	-10°C ~ +50°C
Storage Temperature	-20°C ~ +60°C
Humidity	less than 85%
Supply Voltage	12 VDC / 24 VAC
Power Consumption	9 W
Weight	1.14 kg
Dimensions w*h*d	99 x 223.5 mm

DIMENSIONS



ACCESSORIES



GBR-FB03
Connection Base



GTH-K0011E
1Ch HD-SDI Repeater & 2 Ch
Distributor



GTH-K0010M
1Ch HD-SDI to HDMI converter