

SeeEyes® Series [SC-UHC01C]

EX-SDI UTP Transmission



SC-UHC01C is composed of a transmitter and a receiver which can transmit farther over one UTP Cable. It transmits HD-SDI signal up to 150m over CAT.5e UTP Cable. It is a cost-effective and easy solution for maintaining HD-SDI system.

Features

- Distance extension up to 150m over CAT.5e UTP Cable.
- Possible to extend the transmission distance using SC-UHLR01 Repeater
- Use existing UTP cable for HD-SDI system
- Compact and light-weight type for the better installation

[SC-UHT01C]



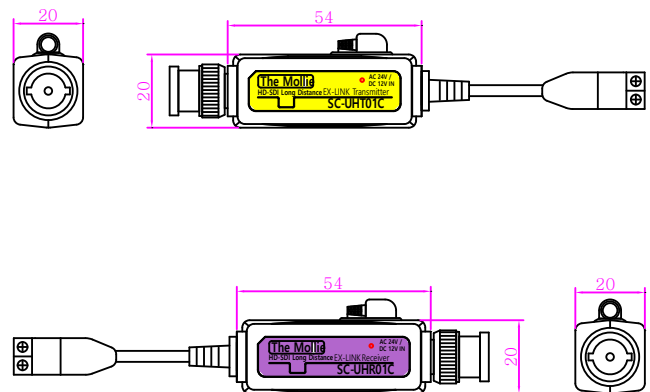
[SC-UHR01C]



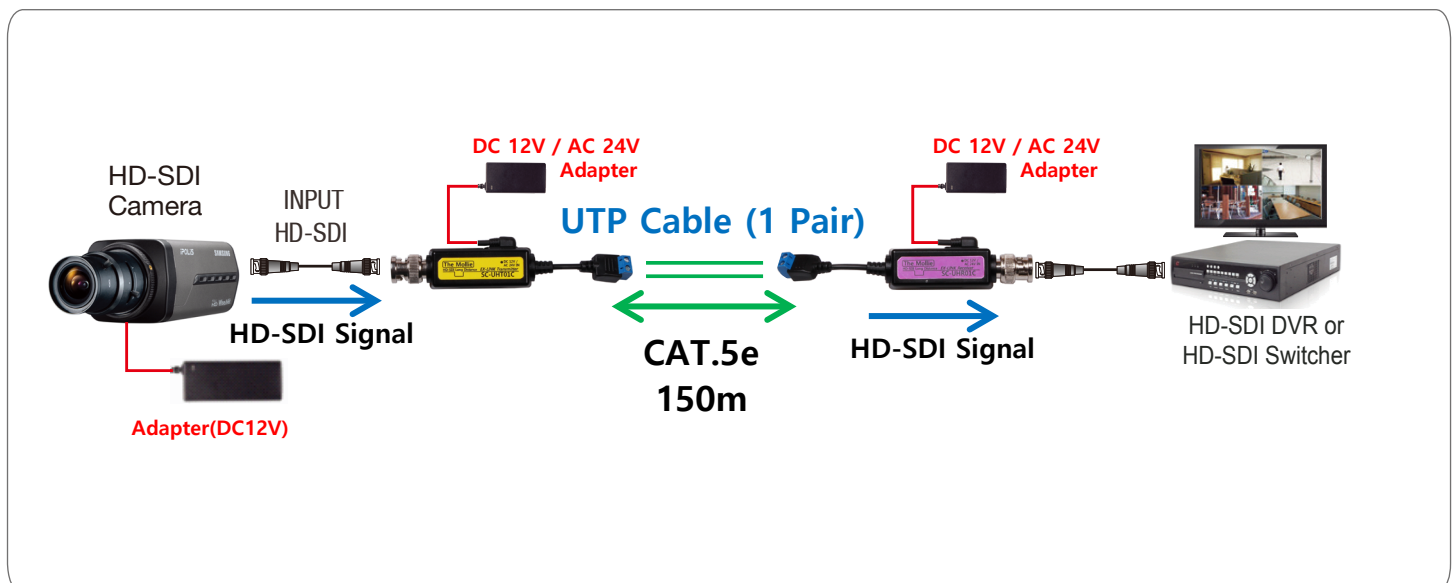
Specifications

MODEL	SC-UHT01C (Transmitter)	SC-UHR01C (Receiver)
Video In	HD-SDI (Full HD: 1.5G)	EX-SDI
Video Out	EX-SDI	HD-SDI (Full HD: 1.5G)
Power Consumption	DC 12V / 0.108A(1.3W)	DC 12V / 0.108A(1.3W)
Power In	AC 24V or DC 12V / 0.5A	AC 24V or DC 12V / 0.5A
Max. Distance	CAT.5e 150m	
Connect Port	IN	BNC-M 75 Ω
	OUT	Terminal Block 2P
	Power IN	DC JACK
LED	RED	ON: Power In
	GREEN	ON: Signal In
Temperature / Humidity	-10°C ~ +50°C / 0 ~ 80%	
Case body / Weight	ABS / 45g	ABS / 45g
Dimensions (mm)	54(W) X 20(H) X 20(D)mm	54(W) X 20(H) X 20(D)mm

Dimensions



Connection Diagram



HD-SDI Transmission