

GCH-K1327T-1

2 Megapixel Full HD CMOS Bullet Ex-SDI Camera IR 42 LED WDR



- Ex-SDI mode to increase transmission distance
- Full HD, 1920 x 1080p, up to 50/60 fps over coax
- WDR (Wide Dynamic Range) for extreme backlight situations
- Video Enhancement: BLC, HLC, DNR
- 0 Lux: Integrated LED IR Illuminator to see even in total darkness
- 4-axis wall mount arm, for flexible installation
- IP 66 Certification
- Externally Adjustable Vario Focal Lens and DC Level
- Power Input AC24V/DC12V

SUMMARY

Based on the Television Standard for FullHD Television, HD-SDI products feature up to 2 Megapixel (1920x1080) pictures in real-time (30fps) transmitted over coax cabling.

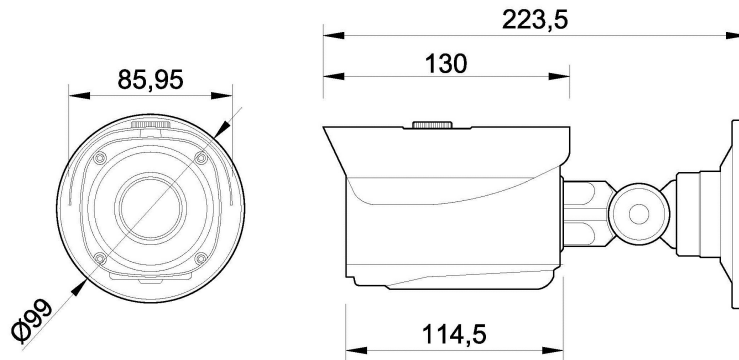
Get the advantages of IP technology without their drawbacks. Get 16:9 megapixel pictures without network configuration, bandwidth problems and network security risks. Use existing coax cables and only exchange the cameras and recorders. Get a "real" live picture and see the things that happen in the now, not a few seconds ago. Connect a monitor directly to a camera using only a HD-SDI-to-HDMI converter.

HD-SDI products are easy to handle, easy to install and produce amazing high quality pictures.

SPECIFICATIONS

Image Sensor	1/3" CMOS Sony Exmor 2 Megapixel
Pixels - Total	1952(H) x 1116(V)
Pixels - Effective	1944(H) x 1104(V)
Scanning System	Progressive
Image Size	1920x1080, 1280x720
Frame Rate	30/60, 25/50 fps at 1080p; 30/60, 25/50 fps at 720p
Compliant	SMPTE-292, Ex-SDI
Sensitivity Colour	0.5 Lux @ F1.2 (IRE50)
Sensitivity B&W	0 Lux LED IR on
Sens Up	Off ~ x32, auto
S/N Ratio	>50 dB
Shutter Speed	AUTO, FLK, Manual 1/25 ~ 1/30,000
Col/B&W	On/Off/Auto/Ext, IR-cut filter removable (ICR)
Lens Focal Length	2.8 ~ 10 mm
Lens Drive Type	DC Auto Iris
IR LED	42 pcs.
Smart IR	Off / On (1~20)
Max. IR Distance	30/45 m (according to scene reflexion)
OSD	English
Camera ID	Off / On, 8 character
Flip/Mirror	On/Off
Gamma correction	0.45 / 0.55 / 0.65 / 0.75
WDR	Off/Low/Middle/High
Number of Privacy Zones	16 (standard method) + 8 (polygonal method)
BLC Back Light	BLC, HSBL, OFF
Digital Noise Reduction (DNR)	Off/Low/Mid/High (Adaptive 3D + 2D)
Motion Detection	On/ Off/ Sensitivity/ Area setting
Sharpness	Off / On (1~20)
Digital Zoom	Off/1 ~ 16x
White Balance	ATW, AWB, AWC, Manual
De-Fog	Off/Auto/Low/Middle/High
Presets	Indoor, Outdoor, Lowlight, Hallway, Lobby, Elevator
Protection Rating	IP66
Video Outputs	1 Ch HD-SDI BNC or 1 Ch Composite BNC
Operating Temperature	-10°C ~ +50°C
Storage Temperature	-20°C ~ +60°C
Humidity	less than 85%
Supply Voltage	12 Vdc / 24 Vac
Power Consumption	9 W
Weight	1.14 kg
Dimensions w*h*d	99 x 223.5 mm

DIMENSIONS



ACCESSORIES



GBR-FB03
Connection Base



GBR-PM02
Pole Mount Adapter