



## HDD-2030PTZ1080

Article number: 211100

1/2.8" HD-SDI Dome, PTZ, 30x, Day&Night,  
4.3~129mm, 1920x1080, Indoor

### Mainfeatures

1/2.8" HDcctv PTZ dome with Sony CMOS-Sensor

Full HD 1920x1080 pixel, real-time

Digital noise reduction (DNR)

Wide Dynamic Range (D-WDR)

Alarm in- and outputs

30x AF-lens, 4.3~129mm

HD-SDI videooutput

Backlight compensation (BLC)

Privacy zones, defog function

### Specifications

Series	eneo Fastrax
System	True Day&Night
Sensor size	1/2.8"
Imager	Sony Exmor
Imager	CMOS
Serial interfaces	RS-485
Sensitivity	0,5 Lux
Sensitivity	(Colour) 0,1Lux (BW)
Automatic electronic shutter (ESC)	1/5 ~ 1/10.000sec.
Manual electronic shutter (MES)	1/5 ~ 1/10.000sec.
Digital Noise Reduction (DNR)	yes
Digital Noise Reduction (DNR)	2D-DNR, 3D-DNR
Low speed shutter	yes
Low speed shutter	2x ~ 6x

# HDD-2030PTZ1080

## Specifications continued

White balance	WAWB, automatic, manual, indoor, outdoor, fluorescent, Sodium lamp
Backlight compensation	BLC
Wide Dynamic Range (WDR)	D-WDR
Signal-to-noise ratio	50dB
IR cut filter	switchable
Mirror function	H/V flip
Frame rate	1080 @ 50/60p, 1080 @ 25/30p, 1080 @ 50/60i, 720 @ 50/60p
Alarm inputs	4
Alarm outputs	2
Activity detection	no
Text display	ON/OFF switchable
Menu languages	English
External connections	alarm input/output, HD-Signal BNC output, voltage input
Video outputs	HD-SDI (BNC)
Lens type	auto focus zoom
Zoom factor	30x
Focal length	4,3 - 129,0 mm
Aperture range (F)	F1,6~F5,0
Horizontal angle of view	65,1 - 2,23 °
MOD (Minimum object distance)	1,5 m
Illumination	no
Speed (manual control)	0,1-380 °/Sek.
Rotation range	360 °
Flickerless function	yes
Presets	240 presets
Supply voltage	12VDC, 24VAC
Heater	no
Mounting	ceiling mount
Vandalism resistant	no
Housing	indoor
Housing material	plastic
Colour (housing)	black
Protection rating	-
Preset speed	380 °/Sek.
Tilt range	-10°~190°
Auto calibration	yes
Serial interfaces protocols	Pelco D, Fastrax IIE
Power consumption	12W
Temperature range (operation)	0°C ~ +50°C
Blower	no
Dimensions (HxWxD)	198,9x125mm
Weight	1.3kg
Certificates	CE

# HDD-2030PTZ1080

Specifications continued

Parts supplied	manual, mounting plate
----------------	------------------------

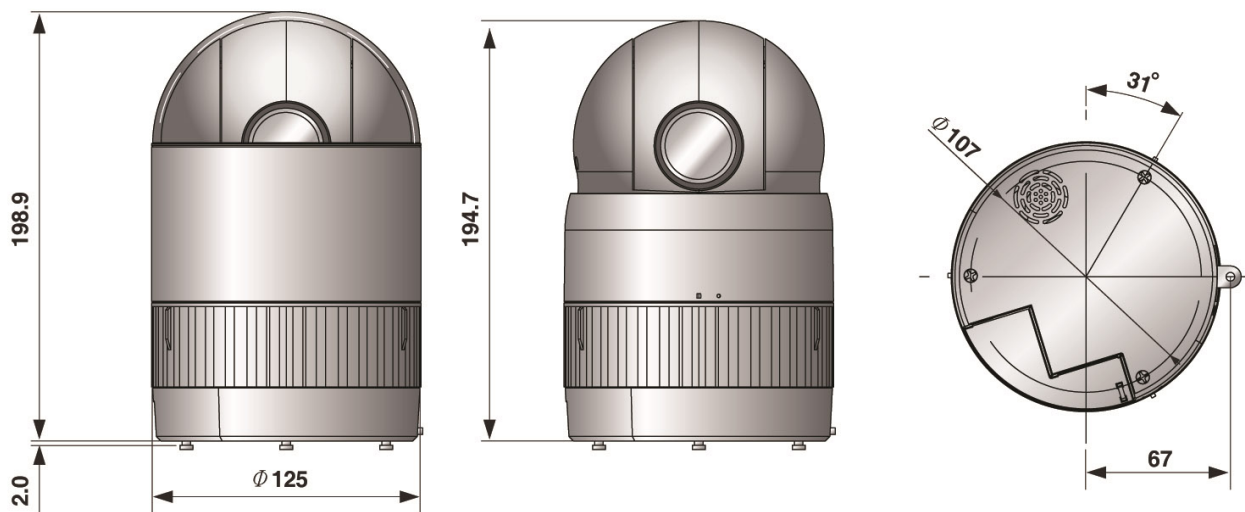
# HDD-2030PTZ1080

## Available Accessories

Bild	Art. Nr. / Bezeichnung	Beschreibung
	70449 / NE-128	Voltage supply unit 230V/24V-5A, IP66
	74130 / EDC-OPC-2/24V	Pendant Mount Outdoor Dome Housing, Sun Shield, Clear Bubble 6.5", 24VAC
	74135 / EDC-IPC-2/24V	Pendant Mount Indoor Dome Housing with Clear Bubble 6.5", 24VAC
	74136 / EDC-OPS-2/24V	Pendant Mount Outdoor Dome Housing with Sunshield, Tinted Bubble 6.5", 24VAC
	74149 / KBD-2	System Keyboard with 3-Axis Joystick and Jog Shuttle, 12VDC
	74154 / EDC-IDFSW	Flush Mount Dome Housing, White Trimring Smoked Bubble 6.8"
	211360 / EDC-OPX/ HD-SDI	Connection cable Fastrax HDD-2030PTZ1080 in In/Outdoor Housing

# HDD-2030PTZ1080

## Technical Drawing



## Your Contact Person



eneo is a registered trademark of  
VIDEOR E. Hartig GmbH  
Carl-Zeiss-Straße 8  
63322 Rödermark  
Deutschland  
Tel.: +49 6074-888-333  
E-Mail: info@eneo-security.com  
Web: www.eneo-security.com