



EDC-IDFSW

Article number: 74154

Flush Mount Dome Housing, White Trimring Smoked Bubble 6.8"

Mainfeatures

In-ceiling mount housing for ceiling tile assy.

For dome cameras of Fastrax Series I - III


6.8" (172mm) smoked bubble

Specifications

| | |
|---------------------|--|
| Heater | no |
| Mounting | housing assy |
| Vandalism resistant | no |
| Housing | indoor |
| Housing material | aluminium |
| Colour (housing) | black |
| Colour (bubble) | tinted |
| Protection rating | n/a |
| Colour | White trimring |
| Load capacity | approx. 3kg |
| Housing | Steel metal, Trimring: aluminium, Bubble: tinted acrylic plastic |
| Camera fixing | dome |
| Weight | approx. 300g |
| Parts supplied | Flush mount housing, Trimring, 6.8" tinted camera bubble |

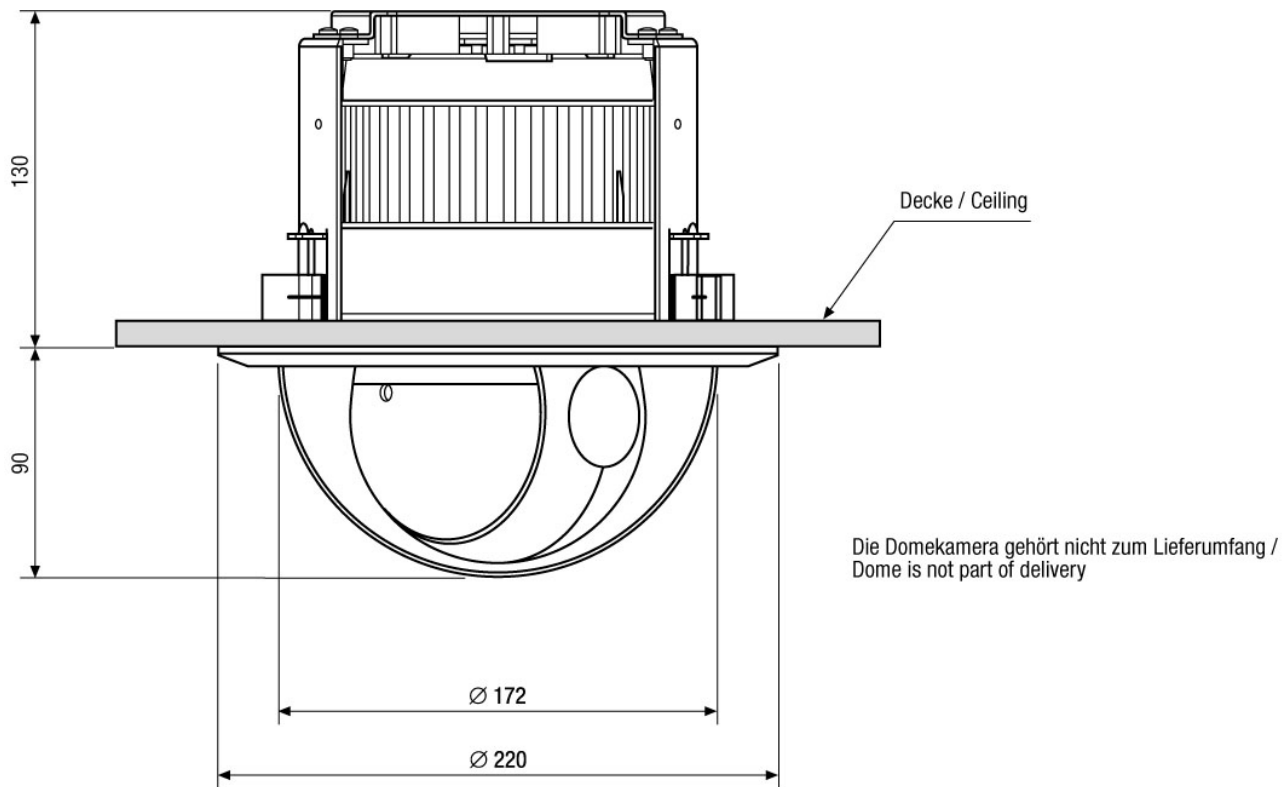
EDC-IDFSW

Available Accessories

| Bild | Art. Nr. / Bezeichnung | Beschreibung |
|---|-------------------------------|--|
|  | 211360 / EDC-OPX/ HD-SDI | Connection cable Fastrax HDD-2030PTZ1080 in In/Outdoor Housing |

EDC-IDFSW

Technical Drawing



Maße/Dimensions: mm

Your Contact Person



eneo is a registered trademark of
VIDEOR E. Hartig GmbH
Carl-Zeiss-Straße 8
63322 Rödermark
Deutschland
Tel.: +49 6074-888-333
E-Mail: info@eneo-security.com
Web: www.eneo-security.com