



EDC-AKS1

Article number: 74125

Power&Connection Box with Mounting Bracket for In/Outdoor, 230V-24VAC/3.0A

Mainfeatures

Power & connection box

Output: 24VAC/3.0A

Weatherproof die-cast aluminium wall mount box

Protection rating: IP66

Input voltage: 230VAC

Signal, data and alarm loop-tru terminals inside





Box includes turnable mounting arm

Specifications

Alarm outputs	2 (NO/NC)
Supply voltage	230VAC/50Hz
Mount	Movable mounting bracket for dome camera housing
Alarm inputs	4
Colour	Pantone Cool Gray 1C
Output voltage	24 ~ 28VAC
Housing	aluminium
Power consumption	80W
Dimensions (HxWxD)	see drawing
Weight	3.8kg
Certificates	CE
Parts supplied	Power & connection box, Fixing screw and tool set, manual

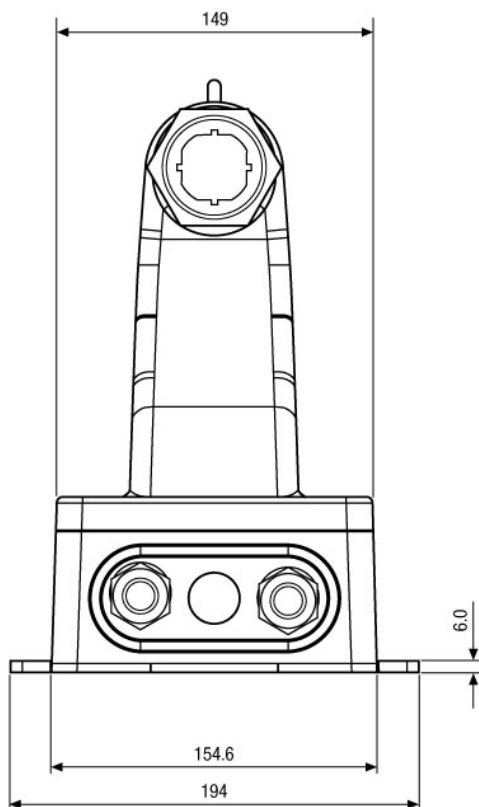
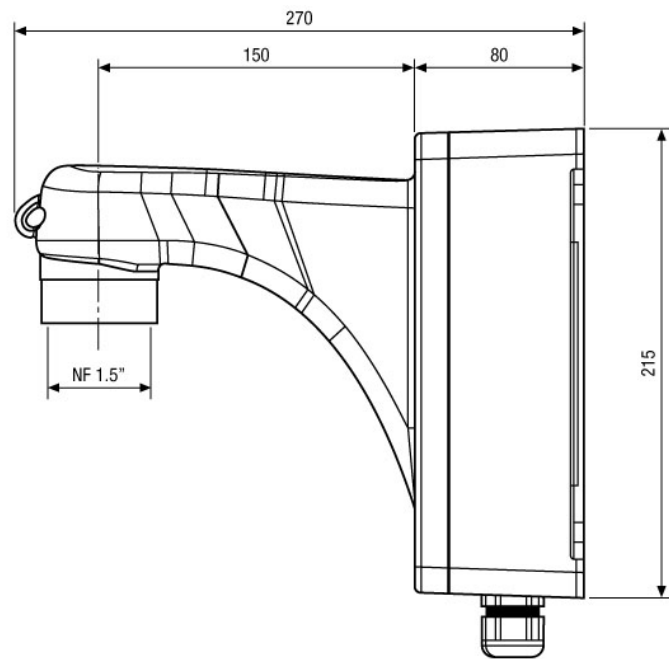
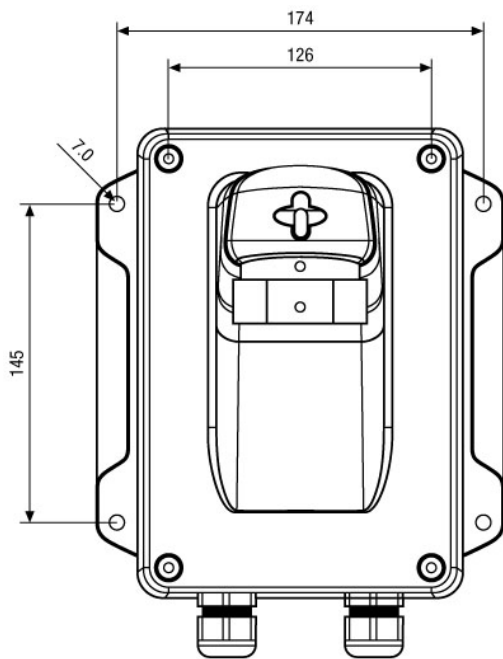
EDC-AKS1

Available Accessories

Bild	Art. Nr. / Bezeichnung	Beschreibung
	74054 / EDC-CMA2	Corner Mount Adapter for EDC-IPx1/OPx1 Housings and Wall Bracket EDC/WMB1
	74055 / EDC-PM7	Pole Mount Adapter for EDC-IPx1/OPx1 Housings and Wall Bracket EDC/WMB1
	74138 / EDC-AKS1/MP	Adapter Plate for Fixation of EDC-AKS1 to EDC-PM7 or EDC-CMA2
	74143 / EDC-OPX/IPX-CC1	Connection cable for EDC-xxx-2 Fastrax ,Standard Domes in In/Outdoor Housing

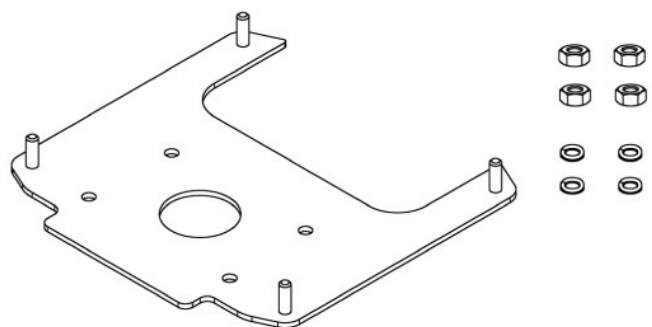
EDC-AKS1

Technical Drawing



Adapterplatte #74138 für Mastmontage in Verbindung mit Kit #74055, oder Eckmontage mit Kit #74054

Adapter plate #74138 for pole mount in connection with kit #74055, or corner mount with kit #74054



Maße/Dimensions: mm

Your Contact Person



eneo is a registered trademark of
VIDEOR E. Hartig GmbH
Carl-Zeiss-Straße 8
63322 Rödermark
Deutschland
Tel.: +49 6074-888-333
E-Mail: info@eneo-security.com
Web: www.eneo-security.com