



VTL-W/N2

Article number: 79484

Weatherproof Housing (300mm) with
Heater/Thermostat, 230V

Mainfeatures

Camera weather protection

Insulated camera mounting

3 cable entries

Protection rating: IP66

Fold-down housing body

Housing body length: 300mm

Screen heater included

Specifications

Series	eneo VTL
Dimensions (HxWxD)	see drawing
Clear Shield	no
Colour	Silvergrey anodized / black end caps
Colour (housing)	silver grey
Housing	outdoor
Housing size	small
Housing material	aluminium
Maximum installation length	300 mm
Weight	2.5kg
Heater	yes
Integrated wall mount	no
Blower	optional
Window heater	yes
Protection rating	IP66
Hidden cable management	no


VTL-W/N2

Specifications continued

Sunshield	yes
Supply voltage	100~240VAC
Wiper	no

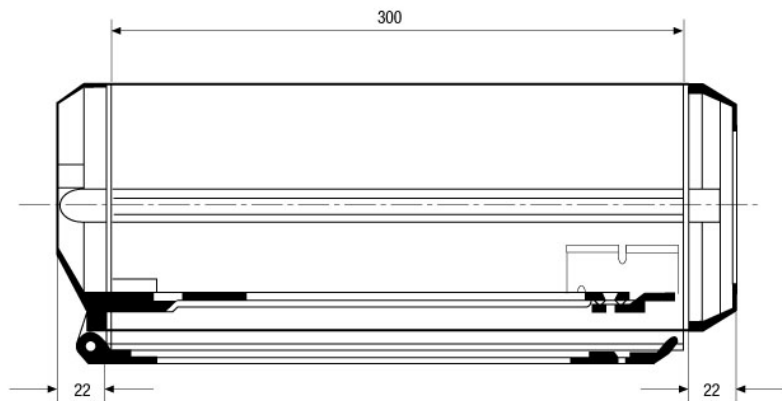
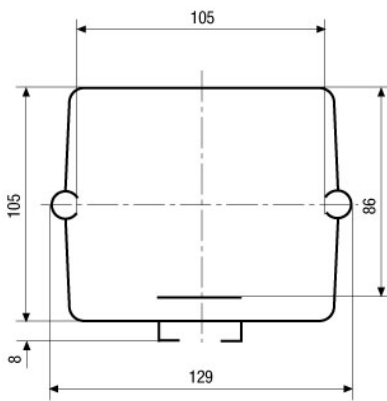
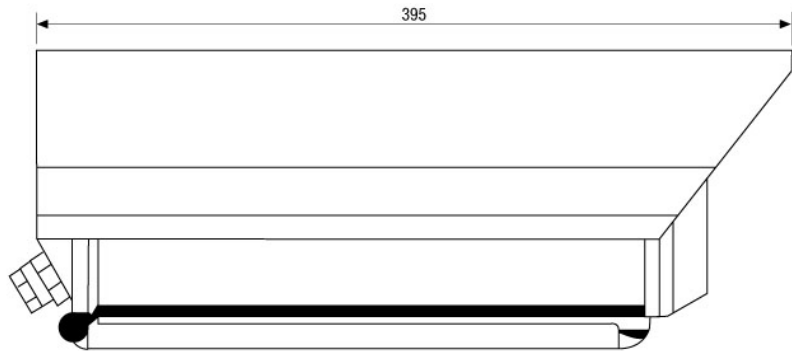
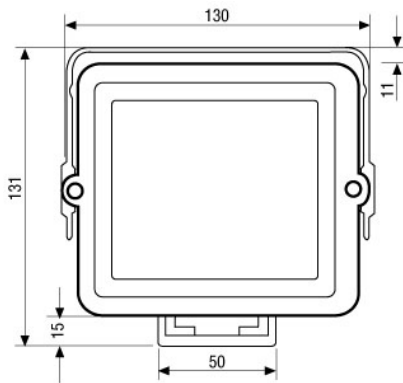
VTL-W/N2

Available Accessories

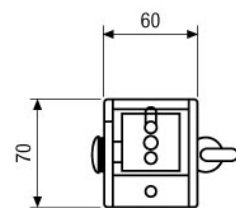
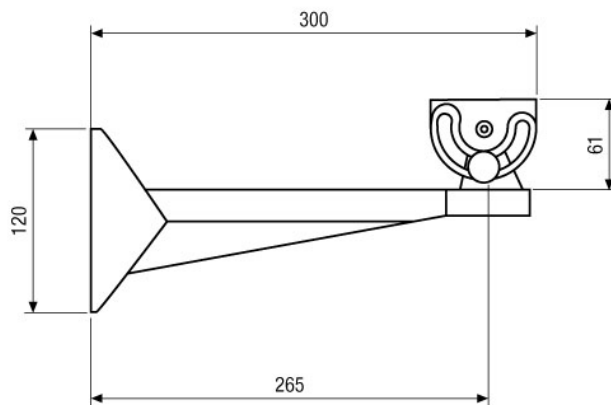
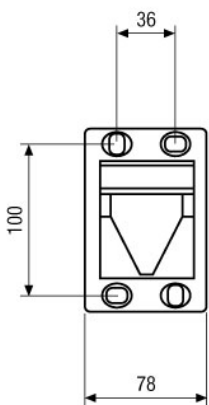
Bild	Art. Nr. / Bezeichnung	Beschreibung
	79592 / PM-6S	Pole Mount Adapter for 1 Wall Mount, (50-140mm Pole), RAL9002
	79593 / PM-6D	Pole Mount Adapter for 2 Wall Mounts, (50-140mm Pole), RAL9002
	79613 / CMA-2	Corner Mount Adapter for Wall Brackets WD-5, WD-7, VTL-WW, VHK-WW, RAL9002
	79661 / NE-129/12V	Power Supply Unit 230V/12VDC-1.5A for Housings VTL-W/D-N2
	79704 / NE-115/24V	Power Supply Unit 230V/24V (400mA) for Housing Series VTL
	79790 / WD-7/MK	Wall Mount with Swivel Head for VTL Series Outdoor Housings, black

VTL-W/N2

Technical Drawing



Wandhalterung / Wall bracket



Maße/Dimensions: mm

Your Contact Person



eneo is a registered trademark of
VIDEOR E. Hartig GmbH
Carl-Zeiss-Straße 8
63322 Rödermark
Deutschland
Tel.: +49 6074-888-333
E-Mail: info@eneo-security.com
Web: www.eneo-security.com