



## TVB-2080Z10IR

Article number: 212939

1/3" HD-TVI Camera, Day&Night, 1920x1080, WDR, 10x AF Zoom, Infrared, 12/24V

### Mainfeatures

1/3" 2.0 MP progressive scan CMOS sensor

HD-TVI video transmission via coax

5,1~51mm day&night lens, removable IR cut filter

Integral motion detection

Easy installation, central locking screw

Resolution max. 1920x1080 (Full HD)

Optical 10x auto focus zoom, 32x digital

WDR, 2D-/3D-DNR noise reduction, Defog function

IP67, built heater

Combi connector

### Specifications

Sensor size	1/3"
Imager	CMOS
Imager	Panasonic Progressive Scan
System	True Day&Night
Sensitivity	0,5 Lux
Sensitivity	at F1.6, 50 IRE
Low speed shutter	yes
Low speed shutter	2x ~ 4x
Manual electronic shutter (MES)	1/25~1/30000sec
Wide Dynamic Range (WDR)	WDR 113dB, D-WDR
Flickerless function	ON/OFF switchable
Backlight compensation	BLC, HLC
IR cut filter	switchable
Automatic electronic shutter (ESC)	1/25~1/30000sec.

# TVB-2080Z10IR

## Specifications continued

White balance	automatic, one push, manual, indoor, outdoor
Signal-to-noise ratio	50dB
Video standard	PAL
Signal format	HD-TVI
Frame rate	1080 @ 25/30p, 720 @ 25/30p
Lens type	auto focus zoom
Focal length	5,1 - 51 mm
Digital zoom	2x ~ 32x
MOD (Minimum object distance)	0,1 m
Aperture range (F)	F1.6~F1.8
Iris control	DC
Resolution	1920x1080 (16:9), 1280x720 (16:9)
Horizontal angle of view	53 - 7 °
Motion detector	yes
OSD function control	OSD camera setup
Menu languages	English, Japanese, Chinese
Privacy zones masking	ON/OFF switchable
Mirror function	V flip, H-flip, H/V flip
Digital Noise Reduction (DNR)	2D-DNR, 3D-DNR
Video outputs	HD-TVI, composite control out
External connections	HD-Signal BNC output, Combi connector
Alarm inputs	no
Alarm outputs	no
Serial interfaces	RS-485
Serial interfaces protocols	Pelco D, Pelco P, Pelco C / TVI (UTC)
Series	eneo Candid Medium
Dimensions (HxWxD)	100x107,8x277mm
Illumination	infrared
Illumination	4x High Power LEDs 855nm, 54°
Illumination range	approx. 50m
Colour (housing)	Pantone Cool Gray 1C
Housing material	aluminium
Weight	1.35kg
Integrated wall mount	yes
Power consumption	approx. 9W
Blower	no
Mounting	wall mount, ceiling mount
Protection rating	IP67
Hidden cable management	yes
Sunshield	yes
Supply voltage	(+/-20%)
Supply voltage	12VDC(11VDC-30VDC), 24VAC
Temperature range (operation)	-30°C ~ +50°C
Text display	supplied
Vandalism resistant	no

## TVB-2080Z10IR

### Specifications continued

Parts supplied	manual, allen key, drilling template, screw set, Video sub-out cable
----------------	--

### Special features

Preset Zoom (5 adjustable positions)

Home Position


HD-TVI Video Transmission Distance over Coax up to 500 m (5C2V)

### More product information

The data for distance are guidelines that are achieved under optimal conditions. The distance may be affected by cable quality and environmental conditions.

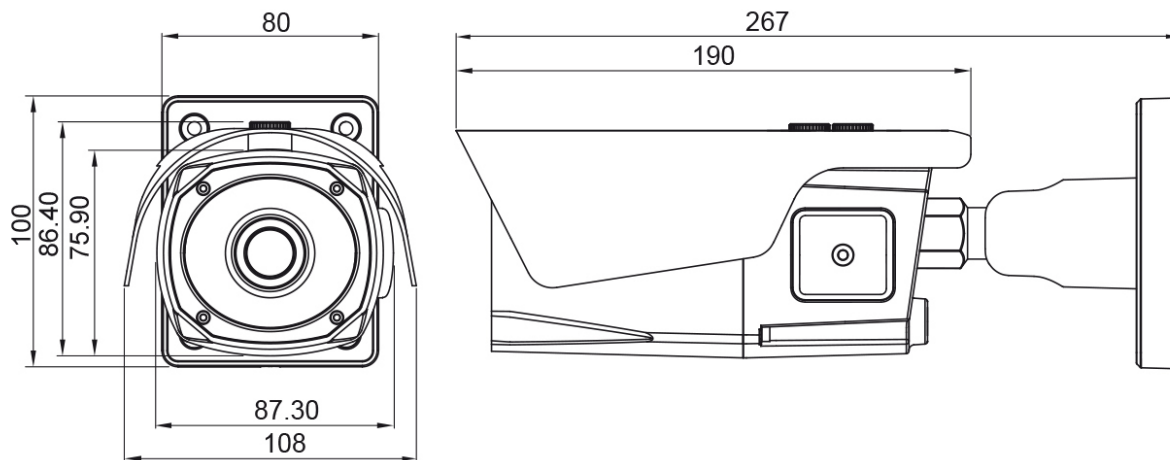
# TVB-2080Z10IR

## Available Accessories

Bild	Art. Nr. / Bezeichnung	Beschreibung
	202641 / PM-42A	Pole mount adaptor for eneo Candid, Candid S, Candid M, Candid L, W3, WB1, AK-5, AK-4
	202888 / AK-4	Camera junction box, for Candid Small ,Candid Medium, Candid Large Series
	203658 / VT-PS12DC-11	Plug-in Power Supply Unit, 100-240VAC/12VDC (1.0A), Regulated, with DC Plug
	70527 / NE-132/AC24V	Power Supply Unit 230VAC/24VAC (1.0A)
	212984 / TVA-1201TRA	HD-TVI Transmitter/Receiver, UTP, BNC, 250m, Indoor, Active, 12V
	212985 / TVA-1201TRP	HD-TVI Transmitter/Receiver, 150m, BNC, UTP, Indoor, Passive
	212986 / TVA-1341EC	HD-TVI Converter to HDMI, VGA, FBAS, Indoor
	212987 / TVA-1101EA	HD-TVI Signal Amplifier, 12VDC, Indoor

## TVB-2080Z10IR

### Technical Drawing



Maße/Dimensions: mm

### Your Contact Person



eneo is a registered trademark of  
VIDEOR E. Hartig GmbH  
Carl-Zeiss-Straße 8  
63322 Rödermark  
Deutschland  
Tel.: +49 6074-888-333  
E-Mail: info@eneo-security.com  
Web: www.eneo-security.com