



## WD-7/MK

Article number: 79790

Wall Mount with Swivel Head for VTL Series Outdoor Housings, black

### Mainfeatures

For wall mounting

Rugged aluminium construction

Ready for installation

For weatherproof housings (VTL housing series)

Swivel head with large adjustment range

### Specifications




Tilt range	Approx. 90°
Dimensions (HxWxD)	see drawing
Colour	black
Weight	1kg
Load capacity	5kg
Material	Aluminium
Categorie	Mounting

### More product information

When mounting the wall mount bracket, ensure that only dowels which are approved for this type of construction are used.

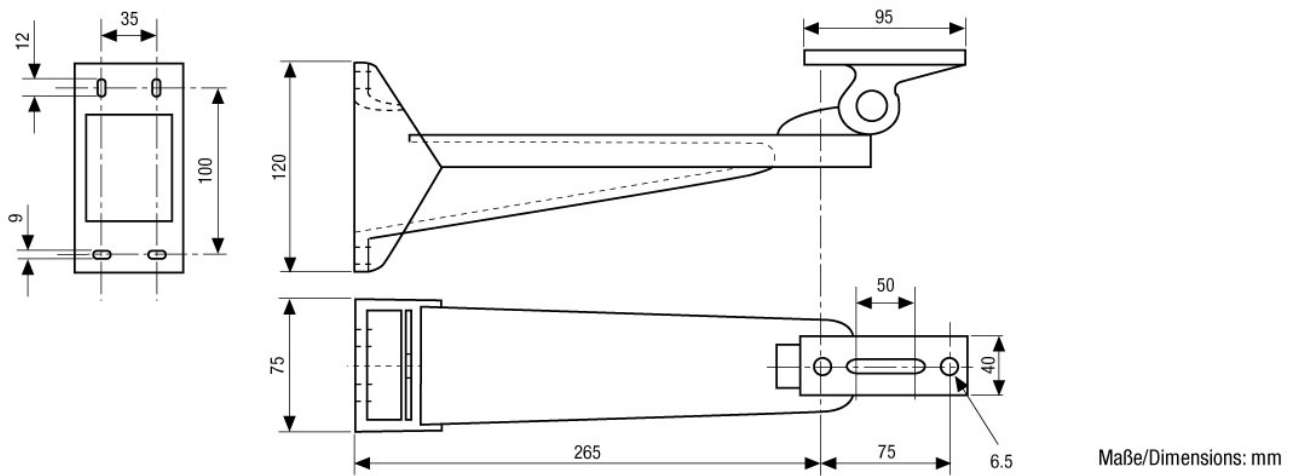
## WD-7/MK

### Available Accessories

Bild	Art. Nr. / Bezeichnung	Beschreibung
	79592 / PM-6S	Pole Mount Adapter for 1 Wall Mount, (50-140mm Pole), RAL9002
	79593 / PM-6D	Pole Mount Adapter for 2 Wall Mounts, (50-140mm Pole), RAL9002
	79613 / CMA-2	Corner Mount Adapter for Wall Brackets WD-5, WD-7, VTL-WW, VHK-WW, RAL9002

# WD-7/MK

## Technical Drawing



## Your Contact Person



eneo is a registered trademark of  
VIDEOR E. Hartig GmbH  
Carl-Zeiss-Straße 8  
63322 Rödermark  
Deutschland  
Tel.: +49 6074-888-333  
E-Mail: info@eneo-security.com  
Web: www.eneo-security.com