



## VM-17PD

**Article number: 212465**

17" (43cm) LCD/TFT Monitor, 1280x1024, 1x Composite, HDMI, RGB, Audio, 12V

### Mainfeatures

Professional LCD/TFT monitor

PAL/NTSC auto selection

3D-comb filter, Anti Burn-in technology

1xCVBS,HDMI,RGB and audio input

Integrated loudspeakers

Robust and compact plastic cabinet

Built to run 24/7/365 continuously

Multi-lingual on-screen menu driven setup

Resolution of 1280x1024 px. (SXGA)

Quick signal switching (0,8sec.)

Supply voltage: 12VDC

Table stand included

### Specifications

Resolution pixels	1280x1024
Resolution	1280x1024 (5:4)
<b>Display:</b>	
Video standard	PAL/NTSC
Aspect ratio	5:4
Contrast ratio typical	2,000,000:1 (DCR)
Response time typical	5 ms
Brightness typical	250 cd/m <sup>2</sup>
Backlighting	LED
Viewing angle vertical	160 °
Viewing angle horizontal	170 °
Screen size	17"

# VM-17PD

## Continued Specifications



Screen Size (cm)	43 cm
<b>Features:</b>	
Comb filter	3D comb filter with de-interlace
Menu languages	English, German, Russian, French, Spanish, Dutch, Chinese
<b>Interfaces / Inputs / Outputs:</b>	
Video inputs (type)	CVBS, VGA, HDMI
Audio inputs	Stereo (RCA), 1
<b>General:</b>	
Dimensions (HxWxD)	378x372x183mm
Mount	VESA standard 100x100mm
Colour (housing)	black
Housing material	plastic
Housing color	black
Weight	2,6kg
Loudspeaker	2
Power consumption	25W
Supply voltage	12VDC
Temperature range (operation)	+5°C ~ +35°C
<b>Scope of delivery:</b>	
Parts supplied	manual, VGA cable, power cord, PSU 100~240VAC

## Special features

Anti-Burn-in Technology

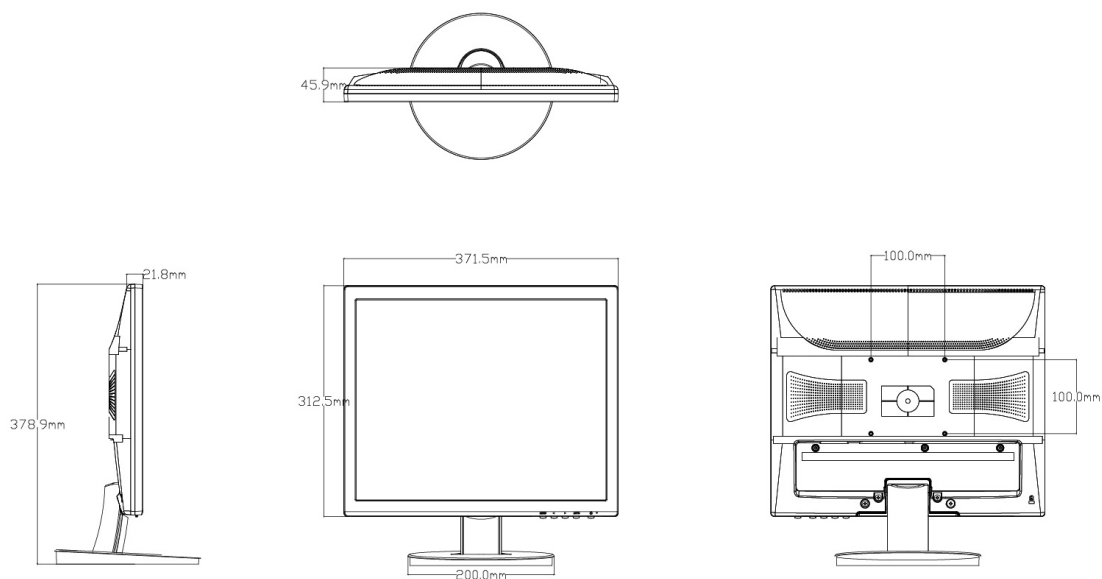
## VM-17PD

### Available Accessories

Image	Prod. No / Label	Description	
	208865 / VMC-LCD/WMB-2	Wall Bracket for TFT/LCD Monitors, straight, VESA	
	208870 / VMC-LCD/CMB-3	Ceiling Mount Bracket for TFT/LCD Monitors, 15" up to 37", VESA	
" data-bbox="110 315 200 335"/>	90394 / VMC-LCD/WCMB-1	Wall/Ceiling Bracket for LCD Monitors 15"/>" data-bbox="115 370 195 415"/>	Wall Bracket for LCD Monitors up to 23", Pan and Tilttable

# VM-17PD

## Technical Drawing



## Your Contact Person



eneo is a registered trademark of  
VIDEOR E. Hartig GmbH  
Carl-Zeiss-Straße 8  
63322 Rödermark  
Deutschland  
Tel.: +49 6074-888-333  
E-Mail: info@eneo-security.com  
Web: www.eneo-security.com