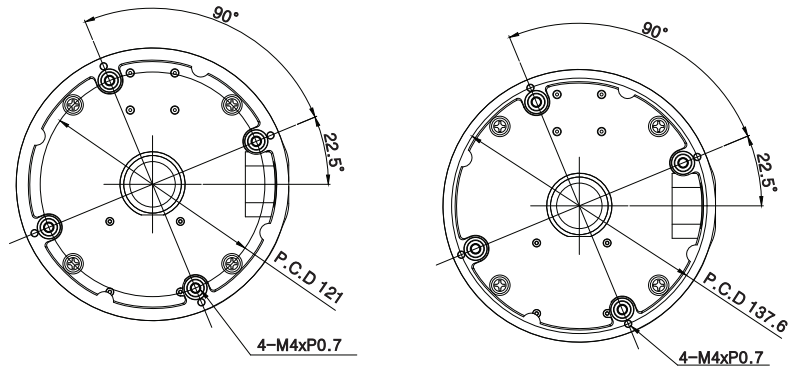


CAMERA INSTALLATION

For external mounting only the conduit base with conduit gasket is used, the conduit plate with multiple threaded holes is not required.

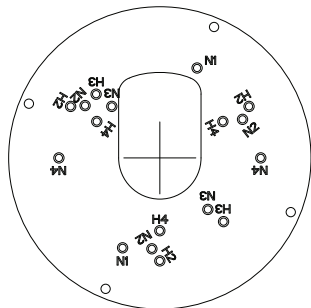


INSTRUCTION MANUAL

AK-7

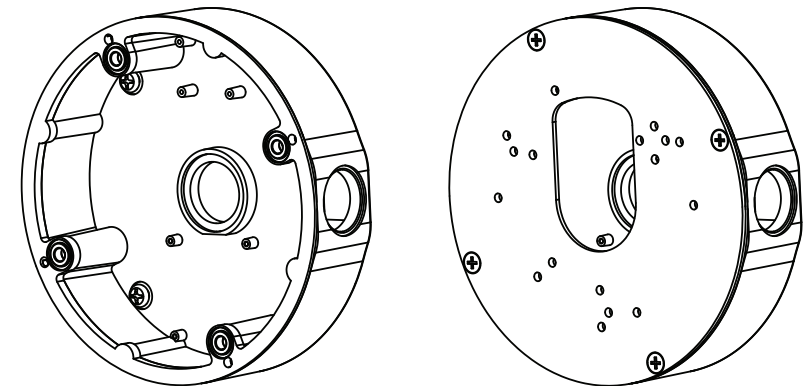
**Camera Junction Box, for IED-63xx series
and IEP-63M2812M0A, IP66**

CONDUIT PLATE INSTALLATION



No.	Hole Pitch	Q'ty
H2	100.0mm	3 Point
H3	87.5mm	2 Point
H4	71.0mm	3 Point

No.	Hole Pitch	Q'ty
N1	94.5mm	2 Point
N2	88.6mm	3 Point
N3	68.5mm	2 Point
N4	98.0mm	2 Point



PACKAGE CONTENTS

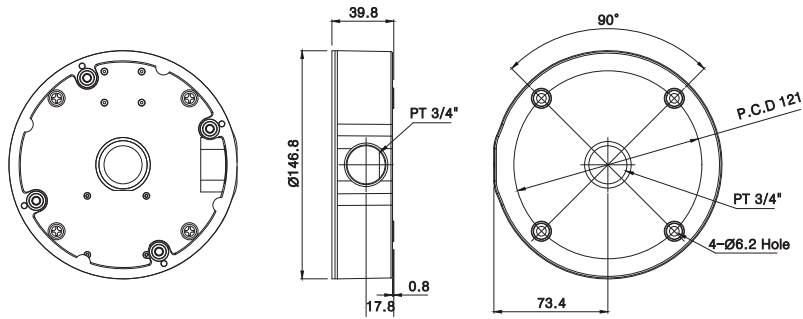
Carefully remove the contents from the box, and verify that nothing was damaged in shipment.

- Conduit box
- Conduit Plate
- Accessory kit
- Manual (Template sheet)

PARTS LIST

No.	Part name	Q'ty	Description
1	Conduit Base	1	AL
2	Conduit Plate	1	AL
3	Conduit Gasket	1	Silicon
4	PT Plug(with O-Ring)	1	AL
5	Accessory	1	-
5-1	Screw	4	PTS1 6 x 30mm (Tapping)
5-2	Screw	4	FC M4 x 12mm
5-3	Screw	4	BC M4 x 12mm
5-3	O-Ring	4	Rubber
5-4	Anchor	4	Plastic
6	Hole Glomat	1	Silicon

DIMENSION DRAWING



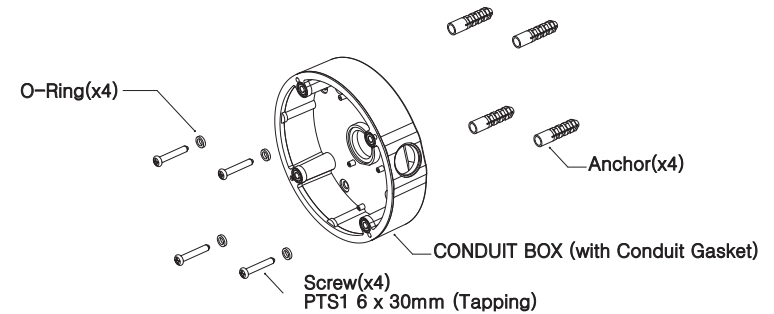
SPECIFICATIONS

No.	Mechanical	Description
1	Dimension	See dimensional outline
2	Construction	Die cast and Aluminum
3	Finish	Polyester power coat
4	Weight (set+packing)	895g(720+175) / 1.97lb(1.59+0.38)

BASE INSTALLATION

- External mounting

1. Use the base as a template on the wall or ceiling to mark the screw hole positions.
2. Using a 5mm bit, drill the 4 mounting holes
3. Push rawl plugs into holes
4. Secure base plate using the screws supplied.
(Important - Use the supplied rubber o-ring on the screws on the inside of the base plate to ensure the base is waterproofed)
5. Make the necessary connections within the base, and then attach the dome housing using the supplied 4mm machine screws.



- Internal mounting

1. Use the base as a template on the wall or ceiling to mark the screw hole positions.
2. Using a 5mm bit, drill the 4 mounting holes
3. Push rawl plugs into holes
4. Secure base plate using the screws supplied.
5. Using the supplied 4mm machine screws connect the camera to the conduit plate.
(Note: for some models only 2 screws hole locations are available)
6. Make the necessary connections within the base.
7. Use the supplied 4mm machine flat head screws to connect the conduit plate to the main base unit.

