



HDC-2080CS D

Article number: 211423

1/3" HD-SDI Camera, WDR, Day&Night, 1920x1080, C/CS, 12V/24V

Mainfeatures

1/3" 2.0 MP progressive scan CMOS sensor

1.5G HD-SDI video transmission via coax

C/CS lens mount

Real time WDR (Wide Dynamic Range) 25/30fps

Adaptive private zones

RS-485 interface

Resolution max. 1920 x 1080 (Full HD)

EX-SDI (270Mbps) Advanced HD signal range

Removable infrared cut filter

3D-DNR noise reduction, Defog function

Integral motion detection

External input for day/night switching

Specifications

Camera:	
Sensor size	1/3"
Resolution pixels	1920x1080\$
Imager	CMOS, Panasonic, MN34229PLI, 2MP Sensor
System	True Day&Night
Sensitivity	0,07 Lux, at F1.2, 40IRE
Low speed shutter	yes, 2x ~ 8x
Manual electronic shutter (MES)	1/25~1/60000sec.
Wide Dynamic Range (WDR)	WDR 113dB, D-WDR, Real Time WDR 25/30fps
Flickerless function	yes
Backlight compensation	BLC, HLC
IR cut filter	switchable

HDC-2080CS D

Continued Specifications

Automatic electronic shutter (ESC)	1/25~1/60000sec.
White balance	ATW, ATW extended, one push, manual
Signal-to-noise ratio	-50 db
Video:	
Signal format	HD-SDI (1.485 Gbps), EX-SDI (270 Mbps)
Resolution	1920x1080 (16:9), 1280x720 (16:9)
Frame rate	1080 @ 25/30p, 720 @ 25/30p
Lens:	
Lens type	lens not included
Digital zoom	2x ~ 32x
Active picture elements	1944(H) x 1092(V)
Features:	
Motion detector	yes
Analysis functions	activity detection
e-PTZ support	no
OSD function control	AGC, motion detection, DNR, shutter control, day&night, privacy zones, white balance
Menu languages	English, Japanese, German, French, Italian, Spanish, Polish, Turkish
Privacy zones masking	ON/OFF switchable
Mirror function	V flip, H-flip, H/V flip
Digital Noise Reduction (DNR)	2D-DNR, 3D-DNR
Interfaces / Inputs / Outputs:	
Video outputs	EX-SDI, HD-SDI, composite (CVBS)
External connections	RS-485, voltage input, HD-Signal BNC output
Alarm inputs	no
Alarm outputs	no
Serial interfaces	RS-485
Serial interfaces protocols	Pelco D
General:	
Series	eneo Candid Box
Dimensions (HxWxD)	72x74x89mm
Illumination	no
Colour (housing)	Pantone Cool Gray 1C
Housing material	aluminium
Weight	290g
Power consumption	4.0W
Protection rating	n/a
Supply voltage	(+/-15%) 50Hz, 12VDC(11VDC-30VDC), 24VAC
Supply voltage	12VDC(11VDC-30VDC), 24VAC
Temperature range (operation)	-10°C ~ +50°C
Text display	camera title
Vandalism resistant	no
Scope of delivery:	
Parts supplied	manual

HDC-2080CS D



Continued Specifications

Special features

COLOR D / N Fixed color mode, optimized for applications with white light illumination

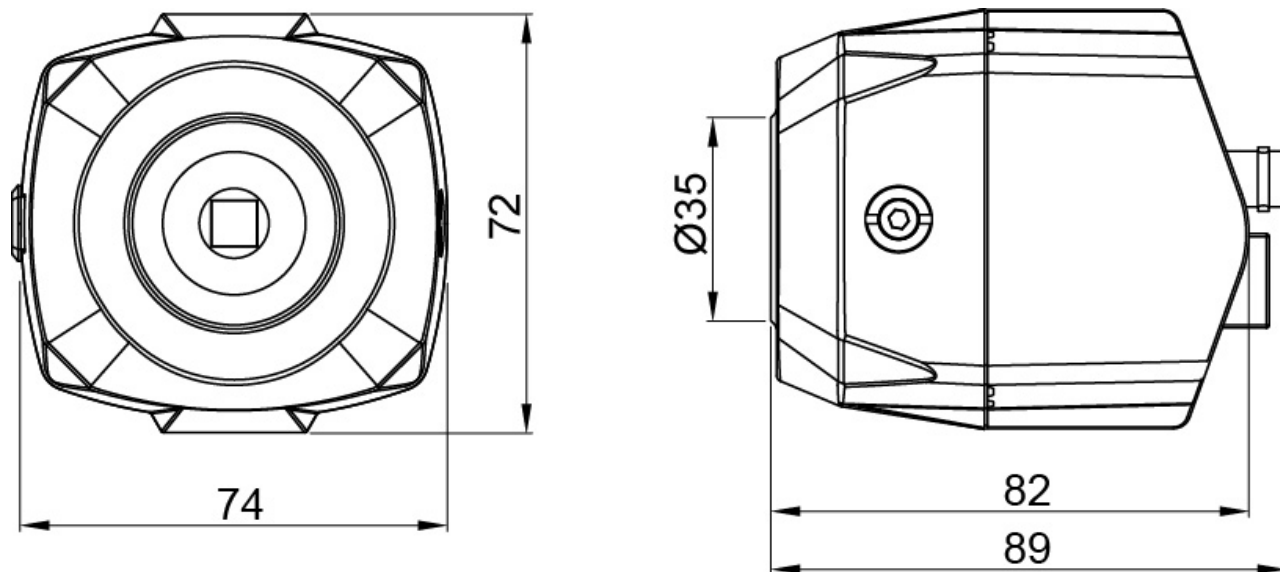
HDC-2080CS D

Available Accessories

Image	Prod. No / Label	Description
	200817 / HDA-1004D	Distributor HD-SDI, 1 x HD-SDI Input, 4 x HD-SDI Outputs
	203658 / VT-PS12DC-11	Plug-in Power Supply Unit, 100-240VAC/12VDC (1.0A), Regulated, with DC Plug
	70688 / WD-18	Wall Mount with Ball Joint, 1/4" Camera Fixing Screw, beige Grey
	70769 / WD-22	Wall Mount Bracket with Ball Joint, 1/4" Camera Fixing Screw, Beige Grey
	70835 / WD-12-WA	Wall Mount with Ball Joint, 1/4" Camera Fixing Screw, 140mm, RAL9006
	210224 / HDA-2002EC	Extender/Converter 1 x HD-SDI Input, 1 x HDMI Output
	211257 / HDA-3000E	HD Extender, HD-SDI, EX-SDI, 12V
	214403 / HAM-4DC1004M0A	Distributor HD-SDI, 1x HD-SDI Input, 4x HD-SDI Output

HDC-2080CS D

Technical Drawing



Dimensions: mm

Your Contact Person



eneo is a registered trademark of
VIDEOR E. Hartig GmbH
Carl-Zeiss-Straße 8
63322 Rödermark
Deutschland
Tel.: +49 6074-888-333
E-Mail: info@eneo-security.com
Web: www.eneo-security.com