



TPP-82A0030MIA

Article number: 213857

1/2,8" HD-TVI Dome, PTZ, 30x, Day&Night, 4.3-129mm, 1920x1080, Infrared, WDR, IP66

Mainfeatures

1/2.8" HD-TVI PTZ dome with Sony CMOS-Sensor

Resolution max. 1920x1080 (Full HD)

Real time WDR (Wide Dynamic Range) 25/30fps

2D-/3D-DNR Noise Reduction

Privacy zones, Defog function

30x AF Zoom lens, 4.3~129mm

Multisignal: HD-TVI, AHD, Composite selectable

Zoom synchronized & fixed IR LEDs

Auto Calibration

Alarm in- and outputs

Specifications

Camera:	
Sensor size	1/2.8"
Resolution pixels	1920x1080
Imager	CMOS
System	True Day&Night
Sensitivity	0,35 Lux
Low speed shutter	yes
Manual electronic shutter (MES)	1/25~1/30000sec
Automatic electronic shutter (ESC)	1/25~1/30.000sec.
Wide Dynamic Range (WDR)	WDR 120dB
Flickerless function	yes
Backlight compensation	BLC, HLC
IR cut filter	switchable
White balance	automatic, manual, outdoor, fluorescent

TPP-82A0030MIA

Continued Specifications

Signal-to-noise ratio	50dB
Video:	
Video standard	PAL/NTSC
Signal format	Composite (FBAS), HD-TVI, AHD
Frame rate	1080 @ 25/30p
Synchronization	internal
Lens:	
Lens type	auto focus zoom
Zoom factor	30x
Focal length	4,3 - 129 mm
Digital zoom	16x
MOD (Minimum object distance)	1 m
Aperture range (F)	F1,6~F5,0
Iris control	DC
Vertical angle of view	36,4 - 1,29 °
Horizontal angle of view	61,8 - 2,11 °
Features:	
Motion detector	yes
Presets	240 presets
Auto calibration	yes
Rotation range	360 °
Speed (manual control)	380 °/Sek.
Preset speed	380 °/Sek.
OSD function control	OSD camera setup
Menu languages	English, German, French, Italian, Spanish, Polish, Portugese, Chinese
Privacy zones masking	Areas-ON/OFF switchable
Mirror function	H/V flip
Digital Noise Reduction (DNR)	2D-DNR, 3D-DNR
Interfaces / Inputs / Outputs:	
Video outputs	AHD, HD-TVI, composite (CVBS)
External connections	alarm input/output, voltage input, remote control input, RS-485, Composite CVBS (SDTV), HD-TVI / AHD BNC
Alarm inputs	4
Alarm outputs	2
Serial interfaces	RS-485
Serial interfaces protocols	Fastrax IIE, Fastrax IIIE, Pelco D, Pelco C (UTC / HD-TVI), Sensormatic
General:	
Series	eneo Multisignal, eneo Premium Class
Dimensions (HxWxD)	315x201.38mm
Illumination	infrared
Illumination range	approx. 300m
Colour (housing)	Pantone Cool Gray 1C
Housing material	aluminium

TPP-82A0030MIA

Continued Specifications


Weight	4.9kg
Camera type	PTZ Dome
Power consumption	38W
Mounting	wall mount, ceiling mount
Window heater	no
Protection rating	IP66
Supply voltage	24VAC, 24VDC
Temperature range (operation)	-30°C ~ 65°C
Text display	supplied
Vandalism resistant	no
Scope of delivery:	
Parts supplied	manual, mounting accessories, plug set
Notes:	

Special features

Optional mounting accessories needed

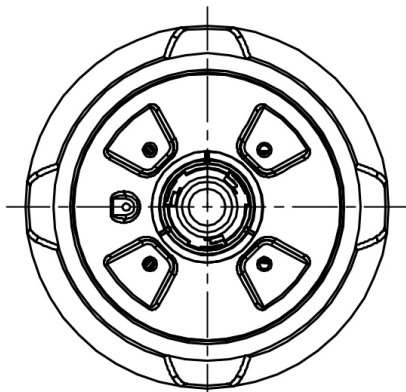
TPP-82A0030MIA

Available Accessories

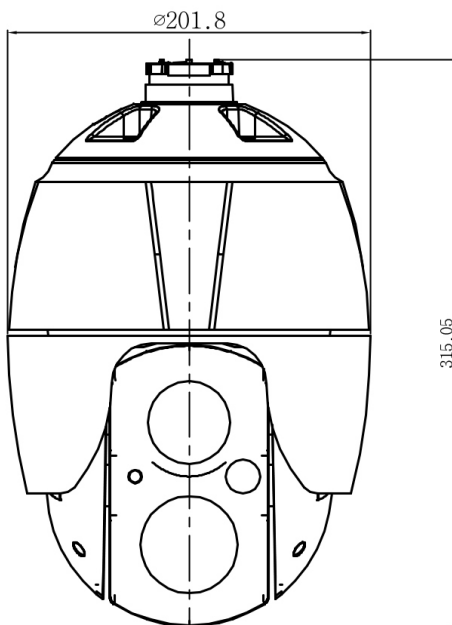
Image	Prod. No / Label	Description
	74127 / EDC-WMB1	Wall Mount for PTZ Dome Cameras with Mounting Kit
	74128 / EDC-CMT1	Ceiling Mount Tube with Flange Plate for PTZ Dome Cameras
	74149 / KBD-2	System Keyboard with 3-Axis Joystick and Jog Shuttle, 12VDC
	212984 / TVA-1201TRA	HD-TVI Transmitter+Receiver, UTP, BNC, 250m, Indoor, Active, 12V
	212985 / TVA-1201TRP	HD-TVI Transmitter+Receiver, 150m, BNC, UTP, Indoor, Passive
	212987 / TVA-1101EA	HD-TVI Signal Amplifier, 12VDC, Indoor
	213474 / NE-128B	Voltage supply unit 230V/24V-5A, Plastic housing, IP66
	214236 / TAM-4MM1001M0A	HD-TVI Converter to HDMI, VGA, FBAS, Indoor

TPP-82A0030MIA

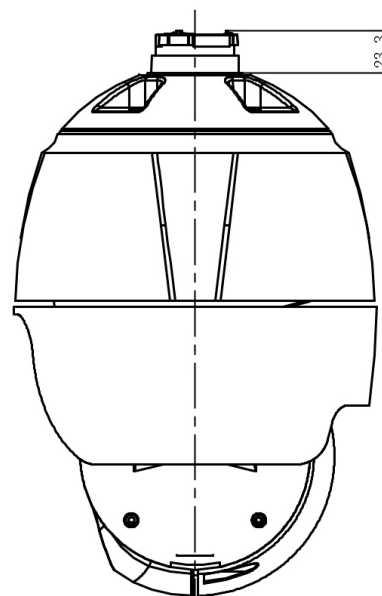
Technical Drawing



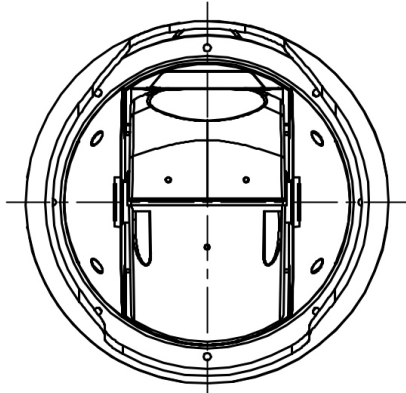
Top View



Front View



Side View



Bottom View

Maße/Dimensions: mm

Your Contact Person



eneo is a registered trademark of
VIDEOR E. Hartig GmbH
Carl-Zeiss-Straße 8
63322 Rödermark
Deutschland
Tel.: +49 6074-888-333
E-Mail: info@eneo-security.com
Web: www.eneo-security.com