



The lens ist not part of the delivery

MPC-52C0000M0A

Article number: 217280

1/2.8" HD Camera, Day&Night, 1920x1080, WDR, C/CS, 12/24V

Mainfeatures

1/2.8" 2 Megapixel SONY STARVIS CMOS sensor

Separate outputs for digital and multi-signal

Digital signal: EX-SDI, HD-SDI selectable

ROI (Region of Interest) WDR mode

C/CS mount, LSC (Lens shading compensation)

Resolution max. 1920x1080 pixels (Full HD)

Multisignal: HD-TVI, AHD, CVI and Composite selectable

Removable infrared cut filter

Integrated motion detector, defog, privacy zones

Specifications

Camera:	
Sensor size	1/2.8"
Resolution pixels	1920x1080, 1280x720, 720x576
Imager	CMOS, Sony STARVIS, Sensor IMX291
System	True Day&Night
Sensitivity	0,08 Lux, at F1.4, 40IRE
Low speed shutter	yes, manual time preselection
Manual electronic shutter (MES)	1/25 ~ 1/30.000sec
Automatic electronic shutter (ESC)	1/25 ~ 1/30.000sec.
Wide Dynamic Range (WDR)	WDR 113dB, Real Time WDR 25/30fps
Flickerless function	yes
Backlight compensation	BLC, HLC
Day/Night switching	auto, day, night
IR cut filter	switchable

MPC-52C0000M0A

Continued Specifications

White balance	automatic, Preset, manual
Signal-to-noise ratio	50dB
Video:	
Video standard	PAL/NTSC
Signal format	Composite (FBAS), HD-TVI, AHD, CVI, EX-SDI (270 Mbps), HD-SDI (1.485 Gbps)
Frame rate	1080 @ 25/30p, 720 @ 50/60p
Synchronization	internal
Lens:	
Lens mount	CS/C mount
Iris control	DC
Features:	
Motion detector	yes
OSD function control	OSD camera setup
Menu languages	German, English, Chinese, Japanese, Korean
Privacy zones masking	Areas-ON/OFF switchable
Mirror function	mirror, V flip
Digital Noise Reduction (DNR)	yes
Interfaces / Inputs / Outputs:	
Video outputs	HD-TVI, AHD, CVI, composite (CVBS), EX-SDI, HD-SDI
External connections	voltage input, 1x SDI Signal (BNC), 1x HD/SD Analog Signal (BNC)
Alarm inputs	no
Alarm outputs	no
Serial interfaces protocols	Pelco C (UTC / HD-TVI)
General:	
Series	eneo Candid Small
Dimensions (HxWxD)	72x74x89mm
Colour (housing)	Pantone Cool Gray 1C
Housing	indoor
Housing material	aluminium
Weight	290g
Power consumption	5W
Supply voltage	12VDC, 24VAC
Temperature range (operation)	-10°C ~ +50°C
Text display	supplied
Scope of delivery:	
Parts supplied	manual, C/CS adapter

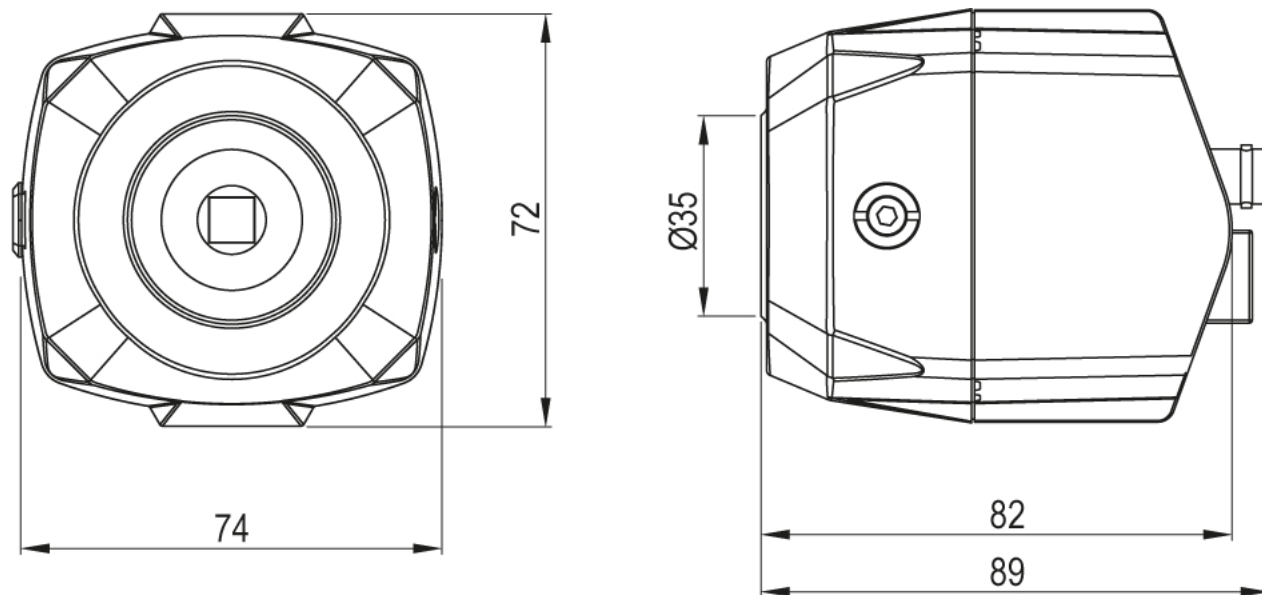
MPC-52C0000M0A

Available Accessories

Image	Prod. No / Label	Description
	212984 / TVA-1201TRA	HD-TVI Transmitter+Receiver, UTP, BNC, 250m, Indoor, Active, 12V
	212985 / TVA-1201TRP	HD-TVI Transmitter+Receiver, 150m, BNC, UTP, Indoor, Passive
	212987 / TVA-1101EA	HD-TVI Signal Amplifier, 12VDC, Indoor
	213619 / H04Z03NFDC-MP	F1,5/4-13mm, Megapixel DC-Lens, variable Focal Length, 1/1.8" CS-Mount
	213620 / H12Z04NFDC-MP	F1,4/12-50mm, Megapixel DC-Lens, variable Focal Length, 1/1.8" CS Mount
	214236 / TAM-4MM1001M0A	HD-TVI Converter to HDMI, VGA, FBAS, Indoor
	217344 / MAM-5ME1001MTA	Multisignal Converter, HD-TVI , AHD, 960H to IP, H.264, 1920x1080, 12VDC
	218653 / PS12DC-11	Plug-in Power Supply Unit, 100-240VAC/12VDC (1,0A), regulated, with DC Plug
	219504 / WD-30	Wall Mount Bracket with Ball Joint, 1/4" Camera Fixing Screw, Pantone Cool Grey 1C

MPC-52C0000M0A

Technical Drawing



Dimensions: mm

Your Contact Person



eneo is a registered trademark of
VIDEOR E. Hartig GmbH
Carl-Zeiss-Straße 8
63322 Rödermark
Deutschland
Tel.: +49 6074-888-333
E-Mail: info@eneo-security.com
Web: www.eneo-security.com