



## VPT-501/HZ RAL7035

Article number: 75309

Pan/Tilt Head with Heater, 24V, 100°/sec. max.,  
RS-485, 24V, RAL7035

### Mainfeatures

Load capacity up to 12kg

Rotation range: +/-180°

64 presets

RS-485 serial interface

Protection rating: IP65

Maintenance-free

Speed: 100°/sec. max.

Backlash: <0,2°

Autopan function

Supply voltage: 24VAC, 50/60Hz

Housing finish: RAL7035

Heaters as standard

### Specifications

Pattern	no
Autopan	yes
Rotation range	359 °
Speed range at manual control	0 ~ 100° horizontal, 0 ~ 50° vertical. 0 to 100°/sec.: 0.22sec.
Preset speed	0 ~ 100° horizontal, 0 ~ 50° vertical. 180° positioning needs 2.5sec. (at max. speed)
Tilt range	+/-90°
Serial interfaces	RS-422, RS-485
Series	eneo VPT
Colour (housing)	RAL7035
Housing	Aluminium frame with plastic covers
Housing material	aluminium, plastic

## VPT-501/HZ RAL7035

### Continued Specifications




Weight	8.0kg
Heater	yes
Power consumption	120W max. (incl. camera and heater)
Positioned freely	yes
Mounting of illuminator possible	optional
Protection rating	IP65
Supply voltage	24VAC
Temperature range (operation)	-40°C ~ +50°C
Temperature range with built-in heater	-40°C ~ +50°C
Load capacity	(load assembly in the horizontal and vertical center of gravity required)\$
Load capacity	12 kg
Backlash	<0.2°
Parts supplied	Screw set, 13pin / 24pin connectors, Allen key (5mm), PC Setup and Control Software on CD ROM
Model	pan&tilt head

### Special features

No mechanical end switches, no potentiometer for positioning feedback. Stop position control configuration made by PC Control Software (included). Absolute positioning

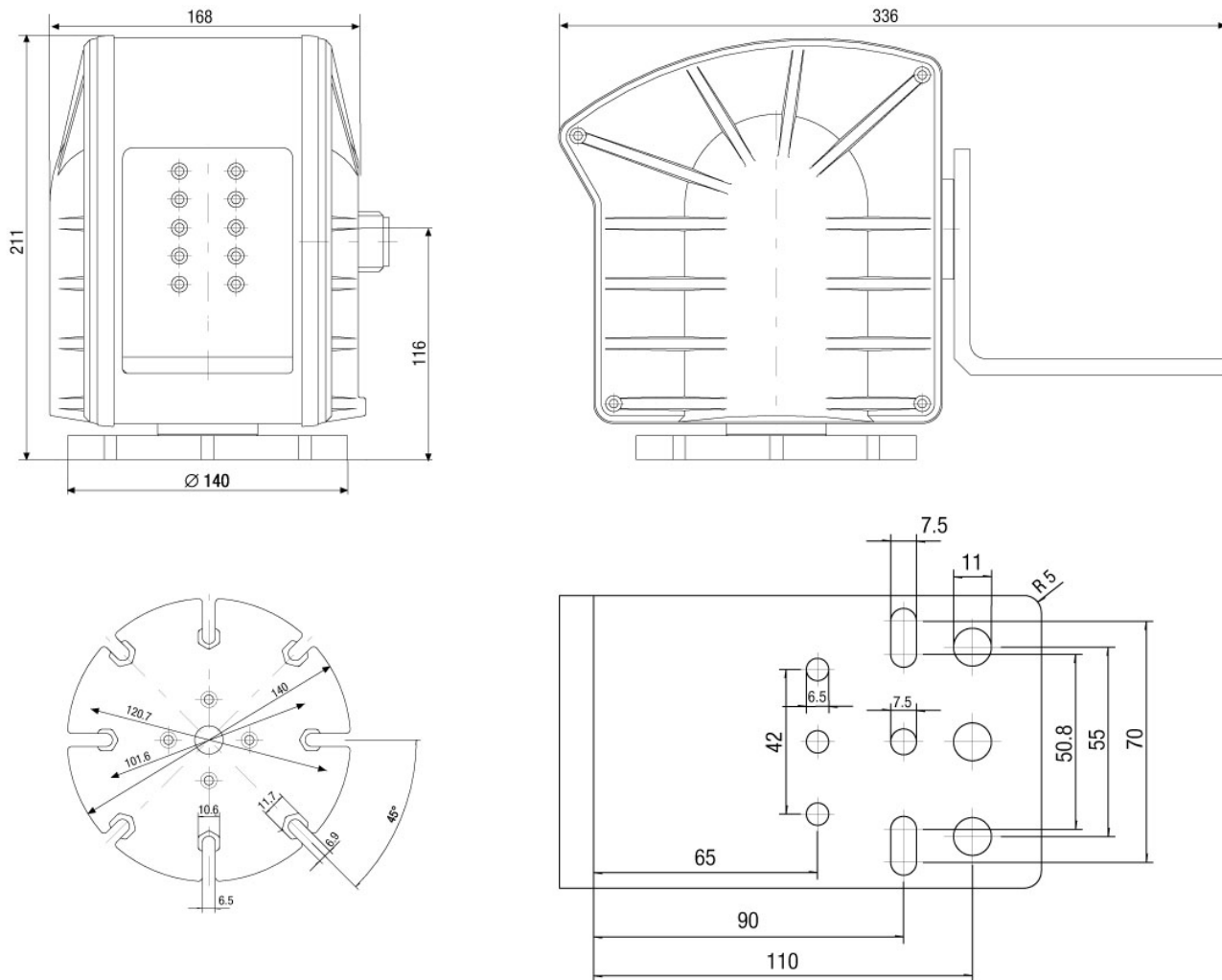
## VPT-501/HZ RAL7035

### Available Accessories

Image	Prod. No / Label	Description
	202413 / WD-2N1G-RAL7035	Wall Bracket for Pan/Tilt Heads VPT-40, RAL7035
	203427 / WD-32 RAL7035	Wall Bracket for Pan/Tilt Heads, VPT-40/601/501 Series, RAL7035
	79682 / VHM/ZLB-W	Weatherproof Housing (330), Heater, Central Plug, RAL9016/7035

# VPT-501/HZ RAL7035

## Technical Drawing



Maße/Dimensions: mm

## Your Contact Person



eneo is a registered trademark of  
VIDEOR E. Hartig GmbH  
Carl-Zeiss-Straße 8  
63322 Rödermark  
Deutschland  
Tel.: +49 6074-888-333  
E-Mail: info@eneo-security.com  
Web: www.eneo-security.com