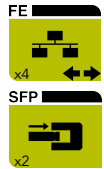


Features

- Managed 4 + 2-port Ethernet switch
- 4 x 10/100Base-TX and 2x 100Base-FX SFP slots
- Non-blocking store-and-forward switching
- Password-protected web interface
- IGMP multicast and Rapid Spanning Tree
- VLAN tagging (802.1Q)



XSNet™ S4104SW

4 +2-Port Fast Ethernet switch

Description

The Siquira® XSNet™ S4104SW switch plays a crucial role in the reliable transport of IP streams. It comprises 4 10/100Base-TX ports and two SFP slots.

Reliable operation

The XSNet™ S4104SW provides exceptional performance under severe conditions. For example, performance is not hindered by mechanical stress (vibration and shock). This robust nature provides an ideal solution for critical infrastructure and traffic applications.

This compact switch offers Rapid Spanning Tree to ensure prompt switchover times and to secure reliable transport of video, audio, and data streams. The XSNet™ S4104SW utilises IGMP for reliable transport of multicast data. Quality of Service is addressed via QoS (IEEE 802.1p) and tagged VLANs (802.1Q), crucial functions for reliable real-time services.

Additionally, the switch includes redundant power inputs with a configurable alarm contact to guarantee reliable performance.

Configuration

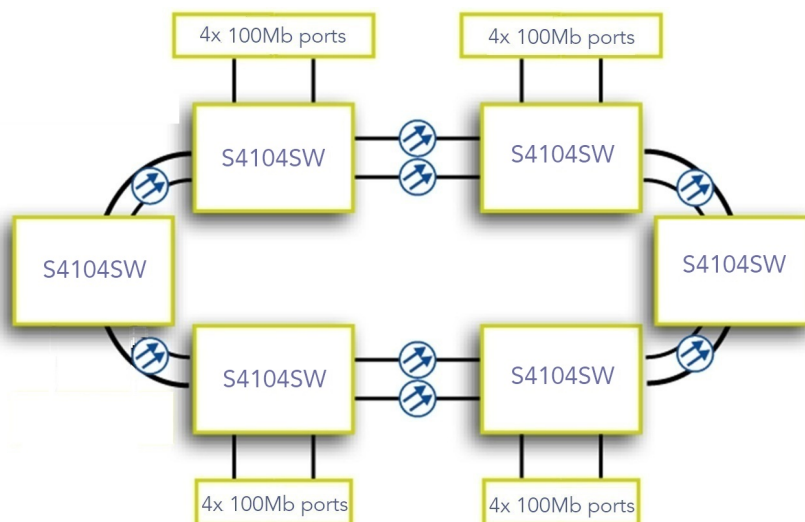
The XSNet™ S4104SW switch offers 4 independent 10/100Base-TX ports, featuring autonegotiation and auto-MDI/MDIX. With two pluggable 100Base-FX SFP slots, this switch can connect to any network infrastructure. Configuration and management are straightforward with the built-in web interface and SNMP agent.

Mounting

This Siquira® XSNet™ switch comes as a DIN rail mount standalone module.

Technical Specifications

XSNet™ S4104SW



Performance

Address table size	8192 addresses
Switching fabric	Non-blocking
Switching method	Store-and-forward

Electrical

Interface(s)	4x 10/100Base-TX
Connector type	4x RJ-45
Maximum distance	100m

Optical

Interface(s)	2x 100Base-FX
Type of interface	Empty SFP slot (see XSNet SFP data sheet)

Standards

IEEE 802.3	10Base-T specification
IEEE 802.3u	100Base-TX/100Base-FX
IEEE 802.3x	Full-duplex operation
IEEE 802.1p	QoS
IEEE 802.1Q	Tagged VLAN
IEEE 802.1w	Rapid Spanning Tree Protocol
IEEE 802.1x	Port-based Network Access Control

Technical Specifications

XSNet™ S4104SW

Management

Multicast	IGMP snooping (v1, v2, v3)
Management agent	SNMP (RMON, v1, v2c, v3)
LED status indicators	
DC	Power indication: power 1, power 2, power 3
Per electrical port	Link, activity, speed
Management protocols	
Out-of-band	Command line interface in RS-232 console, DB9 connector
In-band	SNMP (v1, v2c, v3), HTTP (password protected), TFTP

Powering

Power consumption	11W maximum
Power connector	Redundant terminal block with configurable alarm contact
Input voltage range	12 to 48VDC

Environmental

Operating temperature	-10°C to +60°C (+14°F to +140°F)
Storage temperature	-40°C to +85°C (-40°F to +185°F)
Relative humidity	5% to 95% with no condensation
Safety and EMC	IEC/EN 61000; IEC/EN 55022, FCC part 15

Mechanical

Dimensions (h x w x d)	145 x 60 x 125mm (5.7 x 2.4 x 4.9in)
Weight	1.1kg (2.42lbs)
Housing	DIN rail mounting

Ordering information

Models	Description
XSNet™ S4104SW	Managed 4-port switch with two 100Mb up-link SFP slots



The quality management system utilized in the development, production, sales, and support of this product is ISO 9001:2008 certified by LRQA.

© Siquira B.V. - January 2013 Version 1.3 - Subject to modification.

