



WD-30

Article number: 219504

Wall Mount Bracket with Ball Joint, 1/4" Camera Fixing Screw, Pantone Cool Grey 1C

Mainfeatures

For wall and ceiling mounting

Adjustable ball-point head

Rugged aluminium construction

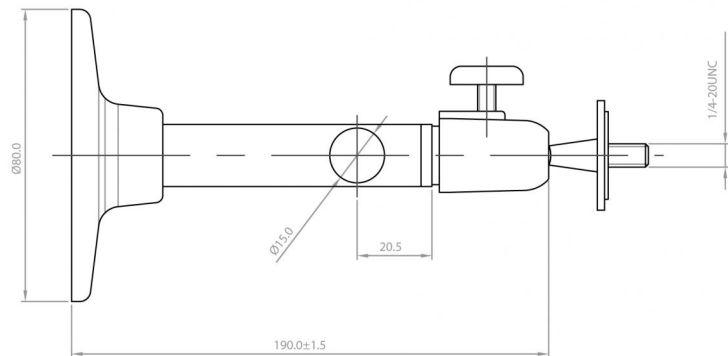
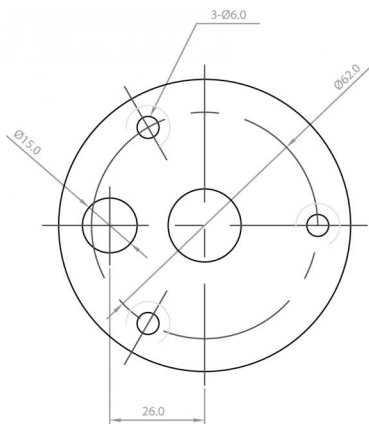
Ready for installation

Specifications

Dimensions (HxWxD)	see drawing
Colour	Pantone Cool Gray 1C
Weight	160g
Load capacity	500g
Parts supplied	3x 3.5x20mm self-tapping screws
Material	Aluminium
Categorie	Mounting

WD-30

Technical Drawing



Dimensions: mm

Your Contact Person



eneo is a registered trademark of
VIDEOR E. Hartig GmbH
Carl-Zeiss-Straße 8
63322 Rödermark
Deutschland
Tel.: +49 6074-888-333
E-Mail: info@eneo-security.com
Web: www.eneo-security.com