



## ICB-73M2712MWA

Article number: 218304

1/2.8" Network Camera, 2048x1536, Day&Night, D-WDR, 2.7-12mm, Infrared, IP67

### Mainfeatures

1/2.8" Sony STARVIS CMOS

Initial configuration via WLAN with optional dongle

Simple and tidy wiring

Motorized lens, 2.7~12 mm

Cross Web Browsing (IE, Safari, Firefox, Chrome)

Simultaneously H.264 & MJPEG (Triple streaming)

Resolution max. 2048x1536

Integrated connection box with circuit board

Sabotage Alarm triggered when opening the connection box

Push Focus for easy lens adjustment

Responsive web Design, Zero configuration

VerticalView 90° / 270°, HTML5 Playback

### Specifications

#### Camera:

Sensor size	1/2.8"
Resolution standard	3 Megapixel
Imager	CMOS, Sony STARVIS, Sensor IMX124
System	True Day&Night
Sensitivity	0,15 Lux, at F1.4, 40IRE
Low speed shutter	yes, automatic
Manual electronic shutter (MES)	1/25 ~ 1/1000sec.
Automatic electronic shutter (ESC)	1/25 ~ 1/10.000sec.
Wide Dynamic Range (WDR)	D-WDR
Flickerless function	yes
Backlight compensation	BLC, HLC

# ICB-73M2712MWA

## Continued Specifications

Day/Night switching	auto, day, night, extern (Sensor)
IR cut filter	switchable
White balance	ATW-Indoor, ATW-Outdoor, automatic, manual, Fluorescent light, Light bulb, Flammes, Shade, Clear Sky
Signal-to-noise ratio	50dB
<b>Video:</b>	
Resolution	2048x1536 (4:3), 1920x1080 (16:9), 1920x1440 (4:3), 1600x1200 (4:3), 1280x960 (4:3), 1280x720 (16:9), 800x600 (4:3), 640x480 (VGA), 640x360 (16:9), 320x240 (4:3)
Resolution max.	2048x1536
Stream types	2x H.264, 1x MJPEG multiple
Image transmission rate max.	30 fps
Multicast compliant	yes
Compression standard	H.264, M-JPEG
<b>Lens:</b>	
Lens type	Varifocal (motorized)
Zoom factor	4x
Focal length	2,7 - 12 mm
Digital zoom	16x
MOD (Minimum object distance)	0,5 m
Iris control	DC
Vertical angle of view	73 - 24 °
Horizontal angle of view	99 - 33 °
<b>Features:</b>	
Motion detector	yes
Analysis functions	motion detection, tampering protection, trip wire detection with counting and direction detection, Field detection, Defog
Alarm processing	recording internal storage, E-Mail, HTTP, FTP, Boost, TCP, UPD, Onvif Event Mapping, alarm out
Audio	2 Way Audio
Audio support	yes
e-PTZ support	yes
Internal storage	microSDHC card, microSDXC card
Menu languages	English, German, French, Polish, Finnish
Privacy zones masking	Areas-ON/OFF switchable
Remote configuration	web browser
Web browser	MS internet Explorer: ActiveX ex 9.0, Safari: MJPEG, Mozilla: MJPEG, Google Chrome: MJPEG, Edge: MJPEG
User interface	Type A (orange / grey)
Mirror function	mirror, flip
Digital Noise Reduction (DNR)	yes
<b>Network:</b>	
Network protocols	TCP/IP, UDP, IPv4, IPv6, HTTP, HTTPS, FTP, UPnP, RTP, RTSP, RTCP, DHCP, ARP, Zeroconf, Bonjour

# ICB-73M2712MWA

## Continued Specifications

<b>Interfaces / Inputs / Outputs:</b>	
Video outputs	no
External connections	micro SD card slot, Connection board (LSA, RJ45, audio, I / O alarm & Sabotage contacts)
Ethernet interface	10Base-T, 100Base-TX
Alarm inputs	1
Alarm outputs	1
<b>General:</b>	
Series	eneo Candid Medium, eneo Premium Class
Dimensions (HxWxD)	130,5x108x318,4mm
Illumination	infrared, 4x High Power LEDs 855nm
Illumination range	approx. 50m
Colour (housing)	Pantone Cool Gray 1C
Housing	outdoor
Housing material	aluminium
Weight	1.6kg
Integrated wall mount	yes
Power consumption	9.5W
Blower	yes
Mounting	wall mount, ceiling mount
ONVIF	ONVIF Profile S
Power over Ethernet	IEEE 802.3af
Window heater	yes
Protection rating	IP67
SDK	upon request
Hidden cable management	yes
Sunshield	yes
Supply voltage	12VDC, 24VAC, PoE
Temperature range (operation)	-50°C ~ +50°C
Temperature range (heater deactivated)	-20°C ~ +50°C
Text display	supplied
Vandalism resistant	no
<b>Scope of delivery:</b>	
Parts supplied	manual, mounting accessories, eneo Site Manager
<b>Notes:</b>	
Remarks	Operating temperature range of the camera changes when IR illumination is switched OFF, ###Please note that the automatic mode and permanent use of Zoom function may have an adverse affect on the lifetime of the camera.

## Special features

Responsive web Design

Integrated connection box with sabotage alarm contact





Simple wiring, the integrated connection board offers the possibility of network cabling via LSA connection bar or RJ45 socket. Terminal block for connection of alarm contacts, external voltage supply and audio.



# ICB-73M2712MWA

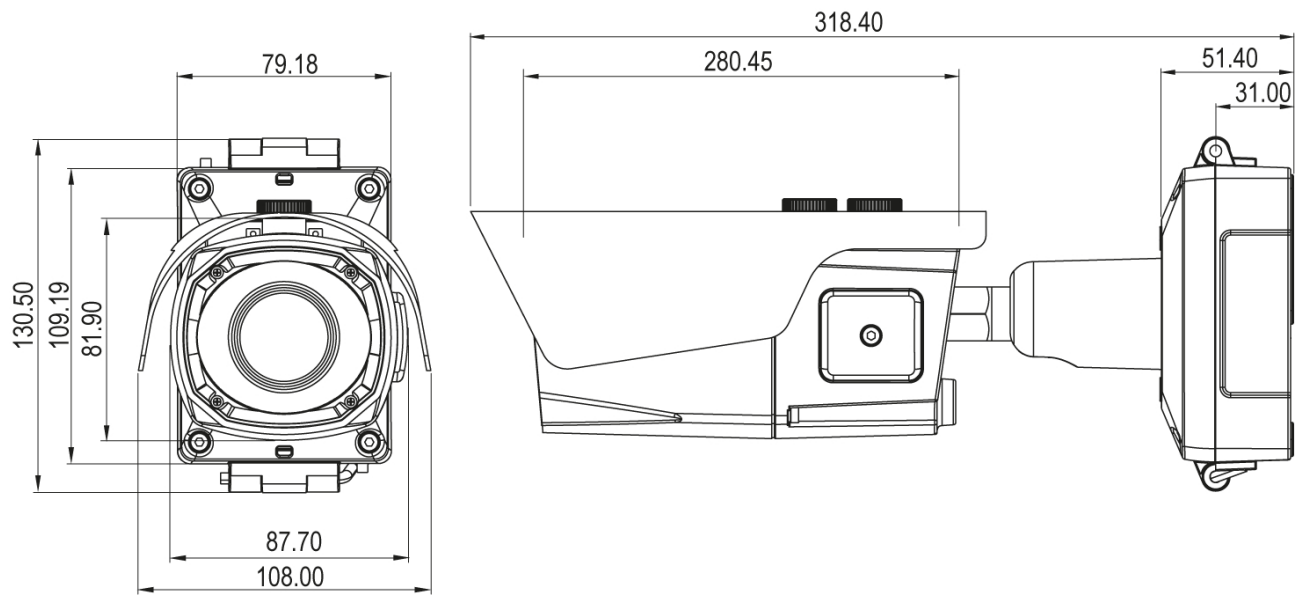
## Available Accessories

Image	Prod. No / Label	Description
	202641 / PM-42A	Pole mount adaptor for eneo Candid, Candid S, Candid M, Candid L, W3, WB1, AK-5, AK-4
	211976 / ECB-1	Media Converter, Indoor, 1x RJ45, 1x SFP
	211980 / EVX-900R	Media Converter, Indoor, Transmitter-Receiver, 1x RJ45, 1x RJ-11, 12V, up to 1000m
	211981 / EVX-900B	Media Converter, indoor, Transmitter-Receiver, 1x RJ45, 1x BNC, 12V, up to 1000m
	214174 / VerticalView Adaptor	For IP Candid Medium Series using the VerticalView mode
	214460 / IAR-7SE1024MMA	Gigabit Switch, 2x RJ45, 24x PoE 100Mbps, 2xSFP 1000Mbps, 390W, Managed, 19", 1U
	214459 / IAM-5SE1008MUA	Gigabit Switch, 8xPoE 100Mbps, 1x RJ45, and 1x SFP 1000Mbps, Unmanaged, Industrial Design
	216129 / IAM-5SG1008MMA	Gigabit Switch, Managed, 240W, 8x PoE, 4x SFP, 1000Mbps, Industrial Design, -40°C~+75°C
	216469 / IAD-5SG1004MUA	Gigabit Switch, Unmanaged, 60W, 4x PoE, 2x RJ45, 10/100/1000 Mbps, Desktop
	216472 / IAD-5SG1008MUA	Gigabit Switch, Unmanaged, 120W, 8x PoE, 1xSFP, 1x RJ45, 10/100/1000 Mbps, Desktop
	216473 / IAR-7SG1008MMA	Gigabit Switch, Managed, 135W, 8x PoE, 2x SFP, 2xRJ45, 10/100/1000 Mbps, 19", 1 U

<p>www. y.com</p> 	<p>216474 / IAR-7SG1016MMA</p>	<p>Gigabit Switch, Managed, 270W, 16x PoE, 4x SFP, 10/100/1000 Mbps, 19", 1HU</p>
	<p>216682 / IAR-7SG1024MMA</p>	<p>Gigabit Switch, Managed, 390W, 24x PoE, 4x SFP, 10/100/1000 Mbps, 19", 1HU</p>
	<p>217082 / Wireless Dongle</p>	<p>WiFi Adapter Set for IPB-73M2812MWA, IPD-73M2812MWA</p>
	<p>218218 / eneo Site Manager</p>	<p>Management Software for eneo IP Cameras</p>

# ICB-73M2712MWA

## Technical Drawing



Dimensions: mm

## Your Contact Person



eneo is a registered trademark of  
VIDEOR E. Hartig GmbH  
Carl-Zeiss-Straße 8  
63322 Rödermark  
Deutschland  
Tel.: +49 6074-888-333  
E-Mail: info@eneo-security.com  
Web: www.eneo-security.com