

# User Manual

**Connection box with bracket,  
outdoor, Fixed and PTZ  
Dome cameras, IP66**

**AKM-1**

## Before You Begin

Read these instructions before installing or operating this product.

**Note:** This installation should be made by a qualified service person and should conform to local codes. This manual provides installation and operation information. To use this document, you must have the following minimum qualifications:

- A basic knowledge of CCTV systems and components
- A basic knowledge of electrical wiring and low-voltage electrical connections

### Intended use

Only use this product for its designated purpose; refer to the product specification and user documentation.

**Note:** You should be at the equipment and ready with details before calling Technical Support.

### Conventions Used in this Manual

**Boldface** or button icons highlight command entries. The following **WARNING**, **CAUTION** and **Note** statements identify potential hazards that can occur if the equipment is not handled properly:



#### WARNING :

**Improper use of this equipment can cause severe bodily injury or equipment damage.**



#### Caution :

**Improper use of this equipment can cause equipment damage.**

**Note:** Notes contain important information about a product or procedure.

### RoHS Announcement



All lead-free products offered by the company comply with the requirements of the European law on the Restriction of Hazardous Substances (RoHS) directive, which means our manufacture processes and products are strictly “lead-free” and without the hazardous substances cited in the directive.



The crossed-out wheeled bin mark symbolizes that within the European Union the product must be collected separately at the product end-of-life. This applies to your product and any peripherals marked with this symbol. Do not dispose of these products as unsorted municipal waste.

### CE Mark



This apparatus is manufactured to comply with the radio interference. The company does not warrant that this manual will be uninterrupted or error-free. We reserve the right to revise or remove any content in this manual at any time.

\* This symbol indicates electrical warnings and cautions.

\*\* This symbol indicates general warnings and cautions.

**WARNINGS AND CAUTIONS:**

To reduce the risk of fire or electric shock, do not insert any metallic objects through the ventilation grills or other openings on the equipment.

**CAUTION:**



**PRECAUTIONS**

**Safety**-----

Should any liquid or solid object fall into the cabinet, unplug the unit and have it checked by a qualified person before operating it again.

Unplug the unit from the wall outlet if it is not going to be used for several days. To disconnect the cord, pull it out by the plug, never by the cord itself.

Allow adequate air circulation to prevent internal heat build-up. Do not place the unit on surfaces (rugs, blankets, etc.) or near materials (curtains, draperies) that may block the ventilation holes.

The height and linearity controls located at the rear panel are for adjustments by qualified personnel only.

**Installation**-----

Do not install the unit in extremely hot or humid environments or places exposed to excessive dust or mechanical vibrations.

**Cleaning**-----

Clean the unit with a slightly damp soft cloth. Use a mild household detergent. Never use strong solvents such as thinner or benzene as they might damage the finish of the unit.

**Features**

- \* Simple and Easy Installation
- \* Wall Mounting Die cast aluminium box
- \* Included a Wall Mount at Front panel with hinge
- \* Indoor/ Outdoor applications
- \* Weatherproof - IP66

## **BRACKET INSTALLATION**

Refer to the Exploded Assembly Diagram, the Parts List and the Accessories below.

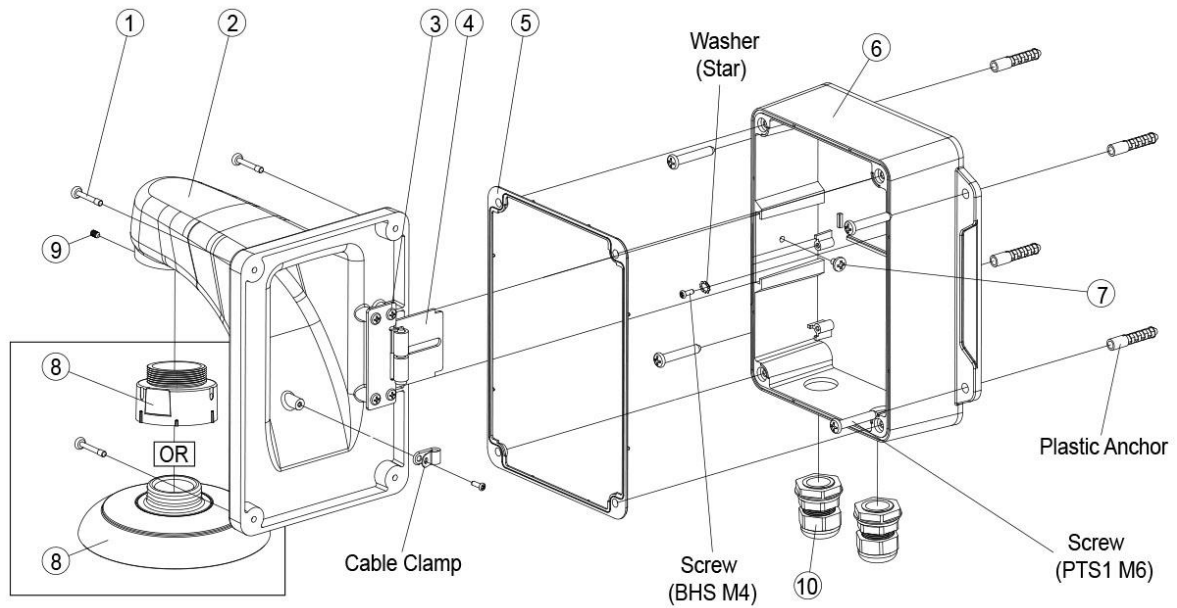
### **CAUTION:**

For safety, the supporting wall must be strong enough to support the dome and bracket (minimum of 25kg). The maximum weight of the attached dome must be less than 9kg (See point ⑬ on the exploded diagram below).

1. Drill 4-fixing holes on the wall to mount the Bracket Base.
2. Insert the Raw Plugs (Plastic Anchors) inside each hole.
3. Attach the Mounting Base using M6 (PTS1) screws to the wall.
4. Remove dome-mounting plate from the bracket.
5. The dome to the mounting plate using the M6 screws supplied with the dome, remembering to feed the cable through the hole on the top of the mounting plate first.
6. Attach the mounting plate to the wall bracket:
  - 6.1. Feed the power and data cables all the way through the bracket arm.
  - 6.2. Use a 4mm L-Wrench to secure the adapter.
7. Before connecting the dome's cable to the bracket's base, remove the earthing cable from the door. Fix the BNC Cable with a cable clamp as shown in the exploded assembly diagram within the mounting or similar location to prevent the BNC connector from touching the circuit board.
8. Close the door to the base and screw ① together ensuring the rubber gasket are in place.

**NOTE:** You can prevent moisture from generating inside base seal the gaps between Power Glands (PGs) and cables.

## EXPLODED ASSEMBLY DIAGRAM

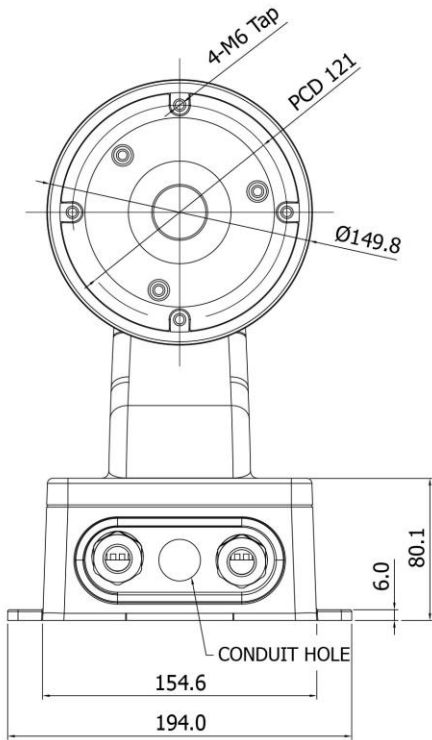
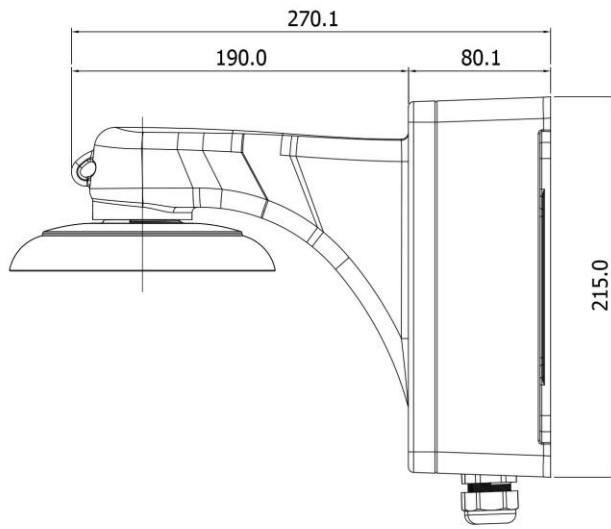
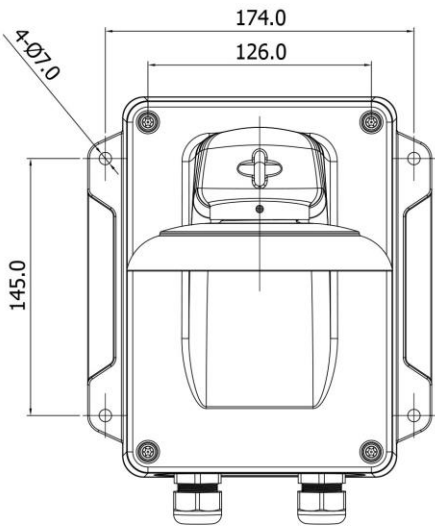


## PARTS LIST

## ACCESSORIES

NO.	PART NAME	DESCRIPTION	Q'TY	NO.	PART NAME	DESCRIPTION	Q'TY
1	Torx Screw	T20 M5, L=15	4	1	Plastic Anchor	M6	4
2	Mounting	AL	1	2	Screw	PTS1 M6, L=35	4
3	Screw	BHS M4, L=8	4	3	Screw	BHS M4, L=8	2
4	Hinge Ass'y	SUS (t=2.0)	1	4	Cable Clamp	DA-4N, Nylon	1
5	Gasket Rubber	Silicon	1	5	Washer(Star)	M4	1
6	Mounting Base	AL	1	6	L- Wrench	4mm	1
7	Hinge Screw	PH M4, L=4	1	7	L-Torx Wrench	T20, 5mm type	1
8	Dome Adapter	AL	1	8	Rubber Plug	Rubber	1
8	Mount Adapter	AL	1				
9	Set Screw	M5	1				
10	PG Gland	PG16	2				

# DIMENSION \_ Dome Adapter (mm)







eneo® is a registered trademark of  
VIDEOR E. Hartig GmbH  
Exclusive distribution through special-  
ised trade channels only.

VIDEOR E. Hartig GmbH  
Carl-Zeiss-Straße 8  
63322 Rödermark/Germany  
Tel. +49 (0) 6074 / 888-0  
Fax +49 (0) 6074 / 888-100  
[www.videor.com](http://www.videor.com)  
[www.eneo-security.com](http://www.eneo-security.com)

Technical changes reserved

© Copyright by VIDEOR E. Hartig  
GmbH Version 04/2019