

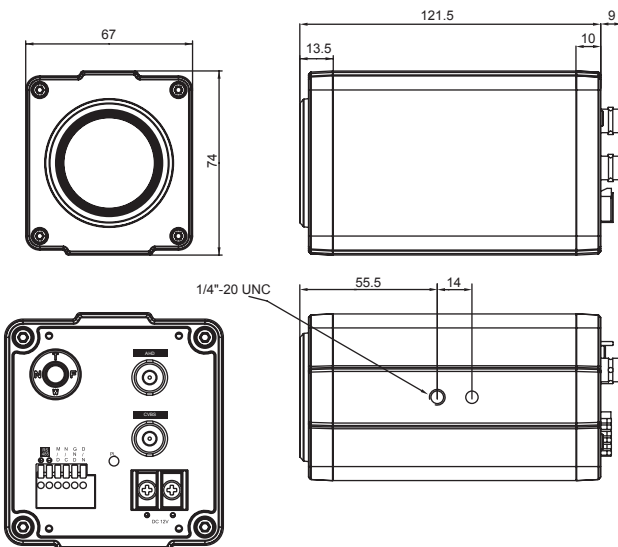
### Box camera 30x zoom



### Eigenschappen

- 1/3" 2MP Panasonic CMOS sensor
- 1080p 30fps, 720p 60fps
- AHD, CVBS
- x30 Optical Zoom(4.3~129mm) & x32 Digital Zoom
- Real-time True WDR
- Digital Noise Reduction(2D+3D)
- Digital Slow Shutter
- Digital Image Stabilizer
- Defog Function
- High Light Compensation
- ACE(Digital WDR)
- Privacy Mask Function
- Motion Detection
- Protocol(VISCA, Pelco-D, Pelco-P,Samsung-E, Samsung-T)

### Afmetingen (mm):



CAMERA	
Image Sensor	1/3" Panasonic CMOS Sensor
Total Pixels	1956 (H) x 1266 (V) = 2.48M Pixels
Active Pixels	1944 (H) x 1092 (V) = 2.12M Pixels
Scanning System	Progressive Scan
Video Format	Digital : 1080p/30(25)/fps, 720p/60(50)/fps, 720p/30(25)/fps
Min. Illumination	Color : 0.5 lux , BW : 0.005lux Color DSS : 0.002 lux , BW DSS : 0.00001 lux
S/N Ratio	More than 50dB (AGC off)
Video Output	AHD, CVBS

LENS		x30		
Lens Type	x30 Day & Night Zoom Lens			
Zoom Ratio	Optical x30, Digital x32 Zoom			
Focal Length	f = 4.3 mm ~ 129.0 mm			
Aperture Ratio	F1.6 (wide) ~ F4.7 (tele)			
Angle Of View (D, H, V)	WIDE	72.9°	65.1°	38.4°
	TELE	2.64	2.34°	1.36°

CAMERA FUNCTIES	
Camera Title	ID / Title / Zoom Ratio / System Message
Day & Night	Auto / Day / Night / Ext-in
WDR/BLC	Off / WDR / BLC / HLC
ACE	Off / Low / Middle / High
DNR	Auto / Off / Low / Middle / High
Defog	Off / On(Auto / Manual)
Digital Image Stabilizer	Off / On
Motion Detection	Off / On (3 positions)
Privacy Mask	Off / On (24 positions)
Digital Slow Shutter	Off /x2 /x4 / x8 (60 or 50fps mode only)
Gain Control	Off / On
White Balance	Auto / One Push / Manual / Indoor / Outdoor
Shutter Speed	1/30(25) ~ 1/30,000 sec
E.Zoom	Off / x2 ~ x32
Digital Flip	Off / H / V / H&V

Algemeen	
Power Source	12Vdc ±10%
Power Consumption	Max 500mA
Operating Temperature	-10°C ~ +50°C / 0% ~ 90% RH
Dimensions	67(W) x 74(H) x 130.5(D) mm
Weight	0.57Kg

Wijzigingen voorbehouden!