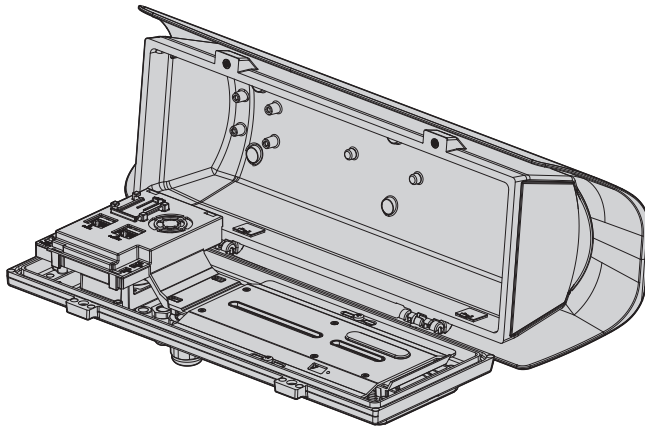




HOV Hi-PoE IPM

Aluminium housing with IPM technology for IP cameras



EN English - Instruction manual

IT Italiano - Manuale di istruzioni

FR Français - Manuel d'instructions

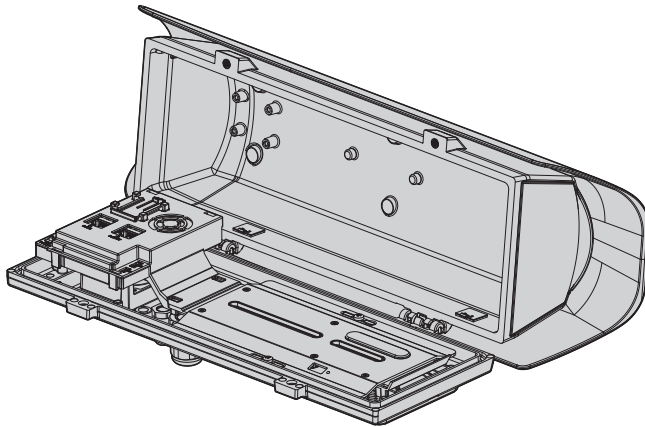
DE Deutsch - Bedienungsanleitung

RU Русский - Руководство по эксплуатации



HOV Hi-PoE IPM

Aluminium housing with IPM technology for IP cameras



Contents

1 About this manual	3
1.1 Typographical conventions	3
2 Notes on copyright and information on trademarks	3
3 Safety rules	3
4 Identification	4
4.1 Product description and type designation	4
4.2 Product marking	4
5 Preparing the product for use	5
5.1 Unpacking	5
5.2 Contents	5
5.3 Safely disposing of packaging material	5
5.4 Preparatory work before installation	5
5.4.1 Mounting the bracket	5
6 Installation	6
6.1 Housing opening	6
6.2 Slide removal	6
6.3 Installation of cable glands	6
6.4 Installation of the GEKO IRH illuminator (optional)	6
6.4.1 Installation of the version with double filter for air renewal	7
6.4.2 Ethernet cable installation	7
6.4.3 How to install the camera	8
6.4.4 Connection of the GEKO IRH illuminator (optional)	8
6.4.5 PoE cable connection	9
6.4.6 Connection of the de-icing heating of the glass (optional)	9
6.4.7 Connection of the blower with double filter for air renewal (optional)	9
7 Configuration	9
8 Switching on	10
9 Maintenance and cleaning	11
9.1 Maintenance	11
9.1.1 Kit for upgrading of the equipment	11
9.2 Cleaning	11
9.2.1 Cleaning the window and plastic parts	11
10 Information on disposal and recycling	12
11 Technical data	12
11.1 General	12
11.2 Mechanical	12
11.3 Electrical	12
11.4 Environment	12
11.5 Certifications	12
12 Technical drawings	13

1 About this manual

Read all the documentation supplied carefully before installing and using this product. Keep the manual in a convenient place for future reference.

1.1 Typographical conventions



DANGER!

High level hazard.

Risk of electric shock. Disconnect the power supply before proceeding with any operation, unless indicated otherwise.



CAUTION!

Medium level hazard.

This operation is very important for the system to function properly. Please read the procedure described very carefully and carry it out as instructed.



INFO

Description of system specifications.

We recommend reading this part carefully in order to understand the subsequent stages.

2 Notes on copyright and information on trademarks

The mentioned names of products or companies are trademarks or registered trademarks.

3 Safety rules



CAUTION! Device installation and maintaining must be performed by specialist technical staff only.



CAUTION! The electrical system to which the unit is connected must be equipped with an automatic bipolar circuit breaker. The circuit breaker for main supply voltage phase units must have a level of intervention of 20A max. The circuit breaker for low voltage units must have a level of intervention of 6A max. This circuit breaker must be of the Listed type. The minimum distance between the circuit breaker contacts must be 3mm (0.1 in). The circuit breaker must be provided with protection against the fault current towards the ground (differential) and the overcurrent (magnetothermal).

- The manufacturer declines all responsibility for any damage caused by an improper use of the appliances mentioned in this manual. Furthermore, the manufacturer reserves the right to modify its contents without any prior notice. The documentation contained in this manual has been collected and verified with great care. The manufacturer, however, cannot take any liability for its use. The same thing can be said for any person or company involved in the creation and production of this manual.
- Before starting any operation, make sure the power supply is disconnected.
- Be careful not to use cables that seem worn or old.
- Never, under any circumstances, make any changes or connections that are not shown in this handbook. Improper use of the appliance can cause serious hazards, risking the safety of personnel and of the installation.
- Use only original spare parts. Non-original spare parts could cause fire, electrical discharge or other hazards.
- Before proceeding with installation, check the supplied material to make sure it corresponds to the order specification by examining the identification labels (4.2 Product marking, page 4).

- This device was designed to be permanently secured and connected on a building or on a suitable structure. The device must be permanently secured and connected before any operation.
- Comply with all the national standards during the device installation.
- Installation category (also called Overvoltage Category) specifies the level of mains voltage surges that the equipment will be subjected to. The category depends upon the location of the equipment, and on any surge voltage protection provided. Equipment in an industrial environment, directly connected to major feeders/short branch circuits, is subjected to Installation Category III. If this is the case, a reduction to Installation Category II is required. This can be achieved by use of an insulating transformer with an earthed screen between primary and secondary windings, or by fitting UL listed Surge Protective Devices (SPDs) from live to neutral and from neutral to earth. Listed SPDs shall be designed for repeated limiting of transient voltage surges and the following rated operation conditions: Type 2 (SPDs permanently connected to the power network and intended for installation on the load side of the service equipment); Nominal Discharge Current (In) 20kA min. For example: FERRAZ SHAWMUT, STT2240SPG-CN, STT2BL240SPG-CN rated 120Vac/240Vac, (In=20kA). Maximum distance between installation and reduction is 5m.
- Any device which could be installed inside the product must comply with the current safety standards.
- If the installation is NEMA TYPE 4X, the installer must replace the cable glands of the product with NEMA TYPE 4X cable glands.
- Power supply to the product must be exclusively provided by the PoE cable (Power over Ethernet).
- For all connections, use cables that are able to withstand temperatures of at least 75°C (167°F).
- The product is designed to house only cameras that are properly certified according to IEC/UL 60950-1 or IEC/UL 62368-1 (7W max).
- A power disconnect device must be included in the electrical installation, and it must be very quickly recognizable and operated if needed.
- To connect the power supply line use the appropriate junction-box (UPTJBUL). For further information, refer to the product use and installation manual.
- Use Listed tube crimping lugs for the connection of the network conductors to the terminals. The copper tube crimping lugs must be suitable for the type of installation (from -20°C (-4°F) a +80°C (+176°F) min., V-0). Copper tube crimping lugs examples: RP, BP o YP (Cembre).

4 Identification

4.1 Product description and type designation

The HOV Hi-PoE IPM housing optimally operates with POE and Hi-POE technology, using the power supplied by the Ethernet cable as the sole source of power for all connected devices, thus ensuring maximum efficiency and flexibility of the network system as well as user-friendly installation and low costs.

The innovative IPM (Intelligent Power Management) system enables extremely quick and easy installation with the use of a single Ethernet connecting cable.

The Hi-POE IPM system automatically detects all the options, like heating, fan and illuminator and then autonomously balances the power to ensure suitable distribution of the same to the connected devices. This guarantees the optimal operation of the IP camera between -30°C (-22°F) and +60°C (140°F), with heat regulation and cold start (activation at low temperature).

The IPM system offers an opportunity to refit analogue systems with already installed housings by simply changing the slide and internal electronics. This enables the digital conversion, speeding up the installation and thereby minimizing costs and environmental impact.

4.2 Product marking

See the label attached to the product.

5 Preparing the product for use



Any change that is not expressly approved by the manufacturer will invalidate the guarantee.

5.1 Unpacking

When the product is delivered, make sure that the package is intact and that there are no signs that it has been dropped or scratched.

If there are obvious signs of damage, contact the supplier immediately.

When returning a faulty product we recommend using the original packaging for shipping.

Keep the packaging in case you need to send the product for repairs.

5.2 Contents

Check the contents to make sure they correspond with the list of materials as below:

- Housing
- RJ45 wiring
- Housing equipment:
 - Allen wrench
 - Spacers
 - Cable glands gaskets
 - Cable glands (x3)
 - Bolts and screws
- Instruction manual
- Desiccant bag

5.3 Safely disposing of packaging material

The packaging material can all be recycled. The installer technician will be responsible for separating the material for disposal, and in any case for compliance with the legislation in force where the device is to be used.

5.4 Preparatory work before installation

5.4.1 Mounting the bracket



The product must be fastened with suitable equipment. The fastening means must guarantee mechanical sealing when a force equal to at least 4 times the weight of the device is applied.

6 Installation



The product may be interfaced with devices not manufactured by VIDEOTEC. VIDEOTEC recommends a test prior to installation. VIDEOTEC will not be liable for any installation costs or lost revenues in the event a compatibility problem will occur.

6.1 Housing opening

Loosen the 2 screws on the side, turn the cover and the upper half of the body about the opening hinge axis.



After installation and wiring, close the product.

6.2 Slide removal

To remove the slide it is necessary to partially unscrew the fixing screws as shown in figure.

Move the slide, by sliding it until the holes coincide with the slide locking screws.

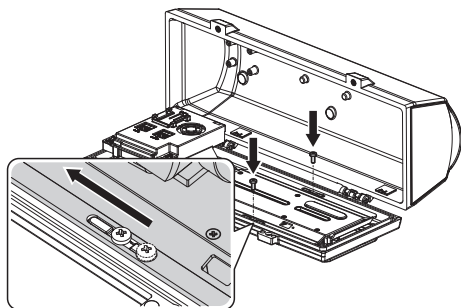


Fig. 1

6.3 Installation of cable glands



For the internal cable routing brackets it is necessary to use the sealing ring kit (OWBIP). The reduced space does not allow the use of the supplied cable glands. The kit must be bought separately.

Inside the supply are 3 cable glands that must be installed at the bottom of the housing as shown in figure. The cable glands that are not used must be sealed with the cap to avoid water entering the housing.

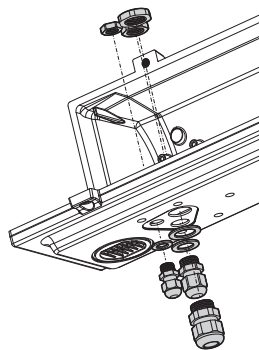


Fig. 2

6.4 Installation of the GEKO IRH illuminator (optional)



Maximum power of the illuminator must not exceed 6W.



To install the illuminator it is necessary to use the illuminator bracket (OSUPPIR). The kit must be bought separately.

Use the cable glands or the smallest sealing ring to avoid water entering the housing.

To install the illuminator under a housing, refer to the installation manual.

For further details on configuration and use refer to the relative chapter (6.4.4 Connection of the GEKO IRH illuminator (optional), page 8).

6.4.1 Installation of the version with double filter for air renewal

i During installation pay attention to the orientation of the air inlet filter fins.

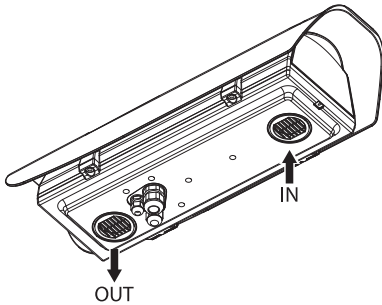


Fig. 3

Depending on the angle of inclination of the housing, the orientation of the filter fins must prevent water penetrating in case of rain:

To guarantee weatherproof protection, install the housing on the support following the inclination limits as shown in the picture.

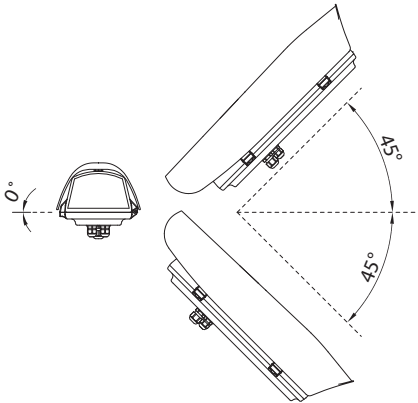


Fig. 4 Maximum tilt of the transversal axis: 0°.
Maximum tilt of the longitudinal axis: $\pm 45^\circ$.

6.4.2 Ethernet cable installation

Insert the Ethernet cable in the gasket and block it as shown in figure.

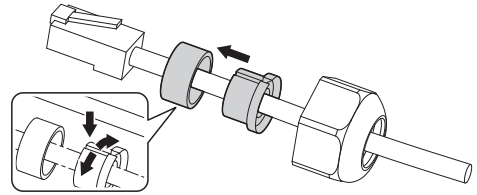


Fig. 5

Fit the gasket (01) to the cable gland M20 (02). Fasten the cable gland to the bottom of the housing (03) using the M20 nut (04).

! Pay attention to the fixing. Tightening torque: 7Nm.

Pass the cable with connector RJ45 (05) through the M20 cable gland (02). Tighten the cable gland cap (06).

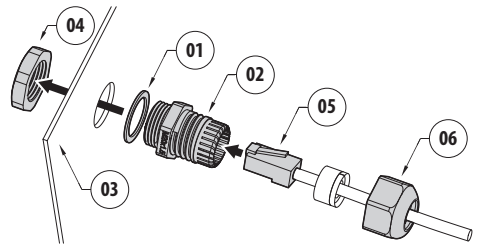


Fig. 6

6.4.3 How to install the camera



The correct operation of the equipment, within the temperature range indicated, is guaranteed only if you use camera and lens with temperature limits equal to at least -10°C and $+60^{\circ}\text{C}$.



It is possible to install only PoE type cameras.

Mount the camera using the supplied screws (01) and spacers (02).

Apply at least one spacer to guarantee electrical isolation between the slide and the camera.

Position the camera lens close to the glass to avoid visual interference or optical reflections.

Connect the camera to the J2 connector (PoE OUT) with the supplied cable (03).

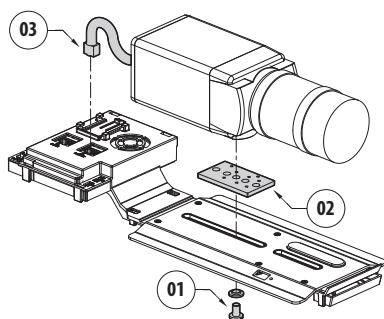


Fig. 7

Refit the slide in its housing and fix the previously loosened screws.

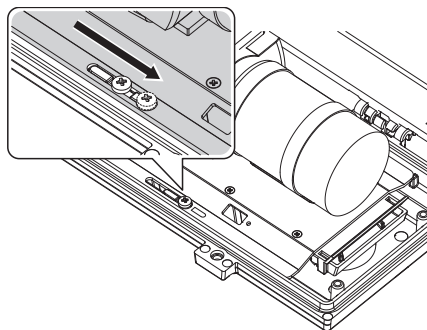


Fig. 8

6.4.4 Connection of the GEKO IRH illuminator (optional)

Connect the illuminator to the J6 terminal as described in the diagram below.

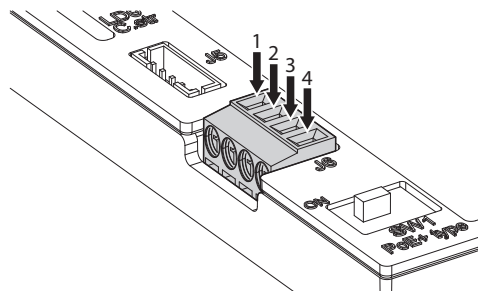


Fig. 9

CONNECTION OF THE GEKO IRH ILLUMINATOR	
Illuminator	Terminal J6
Green (telemetry)	1
Red (telemetry)	2
White (power supply)	3
Black (power supply)	4

Tab. 1

To adjust the lighting threshold of the illuminator refer to the product's use and installation manual.

6.4.5 PoE cable connection

Connect the PoE cable from the Power Injector to the J1 connector.

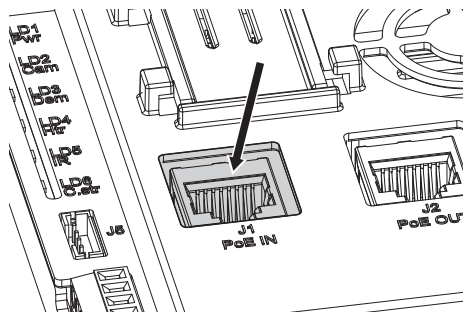


Fig. 10

Before powering the device, you must set the maximum power consumption of the housing operating on dip switch SW1 (7 Configuration, page 9).

6.4.6 Connection of the de-icing heating of the glass (optional)

Connect the heating cable of the de-icing glass to the J3 connector.

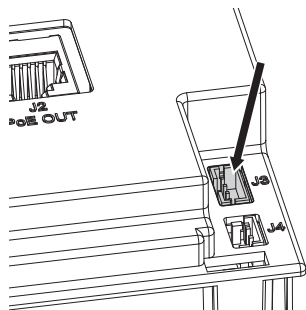


Fig. 11

6.4.7 Connection of the blower with double filter for air renewal (optional)

Connect the fan cable to the J4 connector.

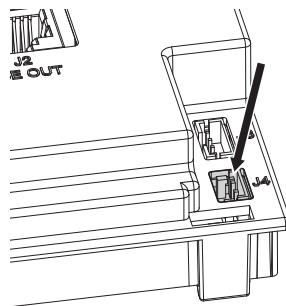


Fig. 12

7 Configuration

Before powering the device, you must set the maximum power consumption of the housing operating on dip switch SW1.

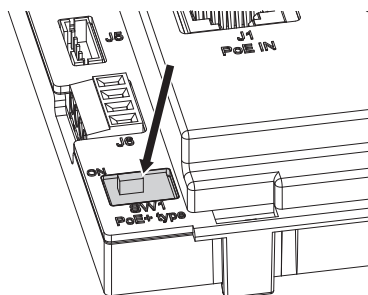


Fig. 13

POWER CONSUMPTION CONFIGURATION	
SW1	Maximum power
OFF	PoE class 3 (13W max)
ON	Hi-PoE class 4 (25W max)

Tab. 2

According to the power consumption, the system can supply the options described in the table (Tab. 3, page 10).

HOV HI-POE IPM AVAILABLE MODELS AND FEATURES

Operating temperature	Injector	Camera	Demisting Heating system	Illuminator	Heater	Anti-icing heated glass	Fan with double air filter
From -10°C (14°F) up to +60°C (140°F)	PoE class 3 (13W)	PoE max. class 2 (7W)	√	–	–	–	√
	Hi-PoE class 4 (25W)	PoE max. class 3 (13W)	√	√	–	–	√
From -10°C (14°F) up to +60°C (140°F)	PoE class 3 (13W)	PoE max. class 2 (7W)	√	–	–	–	–
	Hi-PoE class 4 (25W)	PoE max. class 3 (13W)	√	√	–	–	–
From -30°C (-22°F) up to +60°C (140°F)	Hi-PoE class 4 (25W)	PoE max. class 3 (13W)	√	–	√	–	–
	Hi-PoE class 4 (25W)	PoE max. class 3 (13W)	√	–	√	√	–

Tab. 3

8 Switching on



The automatic pre-heating (De-Ice) process could be started whenever the device is switched on and the ambient temperature is below 0°C (+32°F). The procedure is necessary to guarantee correct operation of the devices even at low temperatures. The duration ranges depending on environmental conditions (from 60 minutes up to 120 minutes).

During the lighting phase the device reads the status of the dip switch and automatically detects all the connected options for the correct energy management of the housing.

The LEDs shown in the figure allow to check the product's operating status.

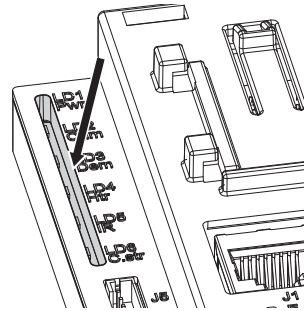


Fig. 14

Refer to the table to identify the operating status.

OPERATING STATUS		
LED	LED Status	Apparatus Status
LD1 (Power supply)	Off	The device is not powered
	On	The device is correctly powered
LD2 (Camera)	Off	The camera is not connected or Cold Start is active
	On	The camera is correctly powered
	1 flashing	The camera has a low identification resistance
	2 flashings	The camera has a high identification resistance
	5 flashings	The camera has an excessive energy consumption
LD3 (Demisting)	Off	Demisting was not correctly detected
	1 flashing	Standard demisting is inactive
	2 flashings	The anti-ice system (optional) is inactive
	On	Demisting, or anti-ice system, is in function
LD4 (Heater)	Off	Heating is not available or power available is not sufficient
	1 flashing	Heating is inactive
	On	Heating is active
LD5 (Illuminator)	Off	The illuminator (optional) is not detected or the available power is not sufficient
	1 flashing	The illuminator is correctly powered (illuminator activation is controlled by its photocell)
LD6 (Delayed activation)	Off	Heating is not available
	1 flashing	The pre-heating procedure is inactive
	On	The pre-heating procedure is underway

Tab. 4

9 Maintenance and cleaning

9.1 Maintenance

9.1.1 Kit for upgrading of the equipment

i The kit cannot be installed in the housing versions equipped with wiper.

Remove the slide (01), the electronic board (02) and the heating (03).

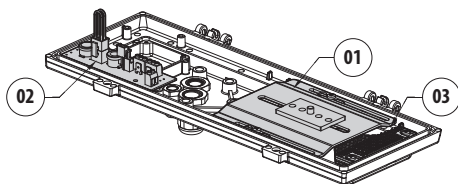


Fig. 15

For kit installation information refer to chapter 6 Installation, page 6.

9.2 Cleaning

9.2.1 Cleaning the window and plastic parts

! Avoid ethyl alcohol, solvents, hydrogenated hydrocarbide, strong acid and alkali. Such products may irreparably damage the surface.

We recommend using a soft cloth with neutral soap diluted with water or specific products to clean the glasses lenses.

10 Information on disposal and recycling

The European Directive 2012/19/EU on Waste Electrical and Electronic Equipment (WEEE) mandates that these devices should not be disposed of in the normal flow of municipal solid waste, but they should be collected separately in order to optimize the recovery stream and recycling of the materials that they contain and to reduce the impact on human health and the environment due to the presence of potentially hazardous substances.



The symbol of the crossed out bin is marked on all products to remember this.

The waste may be delivered to appropriate collection centers, or may be delivered free of charge to the distributor where you purchased the equipment at the time of purchase of a new equivalent or without obligation to a new purchase for equipment with size smaller than 25cm (9.8in).

For more information on proper disposal of these devices, you can contact the responsible public service.

11 Technical data

11.1 General

Constructed from aluminium

Sunshield in ABS

Epoxy polyester powder painting, RAL9002 colour

Stainless steel external screws

11.2 Mechanical

Internal usable area (WxHxL): 100x70x250mm (3.9x2.7x9.8in)

Cable glands: 1xM12, 1xM16, 1xM20

Glass window extra clear

- Dimensions (WxH): 118x75mm (4.6x2.95in)

Unit weight: 3.1kg (6.6lb)

11.3 Electrical

Power absorbed in input: PoE class 3 (13W) or Hi-PoE class 4 (25W) selectable from dip switch

Available power for camera (PoE IN class 3): PoE Class 2 (7W)

Available power for camera (Hi-PoE IN class 4): PoE class 3 (13W) with Ton -10°C ±2°C "cold start" function

Data line: 10/100Base-T

Illuminator GEKO IRH, low power: 6W

Heater: 8W, electronically controlled, Ton 20°C±2°C (68°F±4°F), Toff 23°C±2°C (73.4°F±4°F)

Fan with thermostat for camera cooling for versions with double air filter: Ton 35°C±2°C (95°F±4°F), Toff 32°C±2°C (89.6°F±4°F)

Demisting with forced hot air: 5W

Anti-icing heated glass: 5W, Ton 30°C±2°C (86°F±4°F), Toff 33°C±2°C (91.4°F±4°F)

Compatible with IEEE 802.3af, IEEE 802.3at/PoE Plus

Compatible with the Power Injector (OHEPOWINJ: VIDEOTEC optional accessory)

11.4 Environment

For indoors and outdoors installation

Operating temperature: From -10°C (14°F) up to +60°C (140°F)

Operating temperature (with heater): From -30°C (-22°F) up to +60°C (140°F)

11.5 Certifications

Electrical safety (CE): EN60950-1, IEC60950-1

Electromagnetic compatibility (CE): EN50130-4, EN61000-6-3, EN55022 Classe B, FCC Part. 15 Class B

Outdoor installation (CE): EN60950-22, IEC 60950-22

IP protection degree (EN60529):

- IP66/IP67 (with cable glands)
- IP66/IP67 (with sealing rings and an internal cable channel)
- IP55 (with bracket with internal cable channel)
- IP44 (for models with double filter for ventilation)

IK protection degree (EN62262): IK10 (except for the front glass)

Salty fog resistance: ISO9227, to 1000 hours

UL certification: cULus Listed, TYPE 4X (except for version with double filter for the air exchange, HOV32K2A716)

EAC certification

12 Technical drawings

i The indicated measurements are expressed in millimetres.

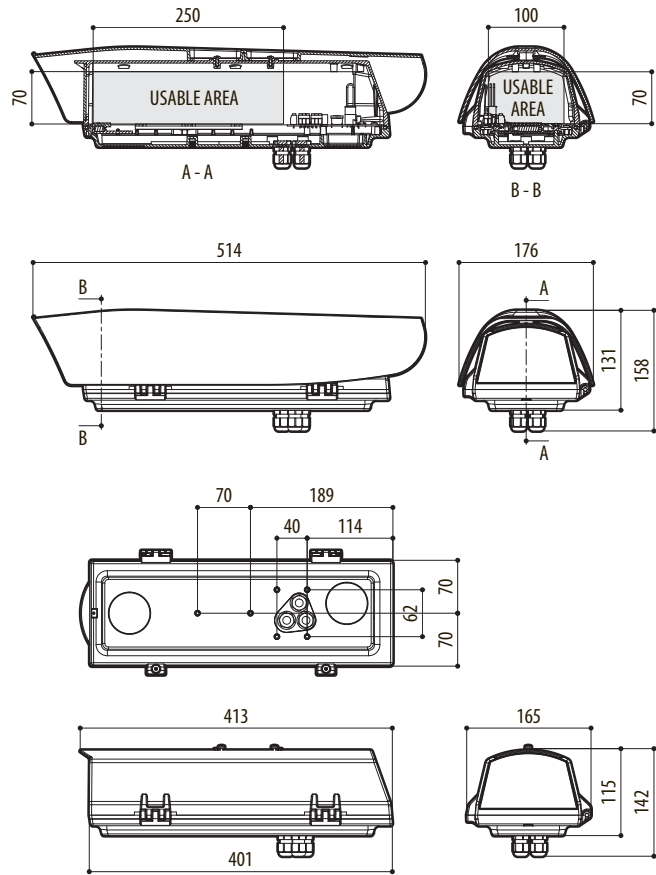


Fig. 16 HOV HiPoE IPM.

Headquarters Italy Videotec S.p.A.
Via Friuli, 6 - I-36015 Schio (VI) - Italy
Tel. +39 0445 697411 - Fax +39 0445 697414
Email: info@videotec.com

Asia Pacific Videotec (HK) Ltd
Flat 8, 19/F. On Dak Industrial Building, No. 2-6 Wah Sing Street
Kwai Chung, New Territories - Hong Kong
Tel. +852 2333 0601 - Fax +852 2311 0026
Email: info.hk@videotec.com

France Videotec France SARL
Immeuble Le Montreal, 19bis Avenue du Québec, ZA de Courtaboeuf
91140 Villebon sur Yvette - France
Tel. +33 1 60491816 - Fax +33 1 69284736
Email: info.fr@videotec.com

Americas Videotec Security, Inc.
Gateway Industrial Park, 35 Gateway Drive, Suite 100
Plattsburgh, NY 12901 - U.S.A.
Tel. +1 518 825 0020 - Fax +1 518 825 0022
Email: info.usa@videotec.com



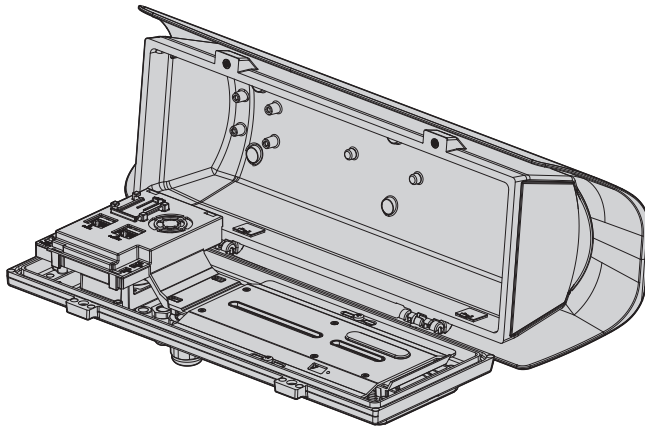
www.videotec.com

MNVCHOVHPOE_2024_EN



HOV Hi-PoE IPM

Custodia in alluminio con tecnologia IPM per telecamere IP



Sommario

1 Informazioni sul presente manuale	3
1.1 Convenzioni tipografiche	3
2 Note sul copyright e informazioni sui marchi commerciali.....	3
3 Norme di sicurezza	3
4 Identificazione	4
4.1 Descrizione e designazione del prodotto	4
4.2 Marcatura del prodotto	4
5 Preparazione del prodotto per l'utilizzo.....	5
5.1 Disimballaggio	5
5.2 Contenuto	5
5.3 Smaltimento in sicurezza dei materiali di imballaggio.....	5
5.4 Lavoro preparatorio prima dell'installazione	5
5.4.1 Fissaggio del supporto	5
6 Installazione.....	6
6.1 Apertura della custodia.....	6
6.2 Rimozione della slitta.....	6
6.3 Assemblaggio dei pressacavi.....	6
6.4 Installazione dell'illuminatore GEKO IRH (opzionale).....	6
6.4.1 Installazione della versione con doppio filtro per ricambio dell'aria.....	7
6.4.2 Installazione del cavo Ethernet.....	7
6.4.3 Installazione della telecamera.....	8
6.4.4 Collegamento dell'illuminatore GEKO IRH (opzionale).....	8
6.4.5 Collegamento del cavo PoE	9
6.4.6 Collegamento del riscaldamento antighiaccio del vetro (opzionale).....	9
6.4.7 Collegamento del ventilatore con doppio filtro per il ricambio dell'aria (opzionale).....	9
7 Configurazione	9
8 Accensione	10
9 Manutenzione e pulizia.....	11
9.1 Manutenzione	11
9.1.1 Kit per ammodernamento degli impianti.....	11
9.2 Pulizia	11
9.2.1 Pulizia della finestra e delle parti in plastica	11
10 Informazioni sullo smaltimento e il riciclo	12
11 Dati tecnici	12
11.1 Generale	12
11.2 Meccanica	12
11.3 Elettrico.....	12
11.4 Ambiente	12
11.5 Certificazioni.....	12
12 Disegni tecnici	13

1 Informazioni sul presente manuale

Prima di installare e utilizzare questo prodotto, leggere attentamente tutta la documentazione fornita. Tenere il manuale a portata di mano per consultazioni successive.

1.1 Convenzioni tipografiche



PERICOLO!

Pericolosità elevata.

Rischio di scosse elettriche. Prima di eseguire qualsiasi operazione assicurarsi di togliere tensione al prodotto, salvo diversa indicazione.



ATTENZIONE!

Pericolosità media.

L'operazione è molto importante per il corretto funzionamento del sistema. Si prega di leggere attentamente la procedura indicata e di eseguirla secondo le modalità previste.



INFO

Descrizione delle caratteristiche del sistema.

Si consiglia di leggere attentamente per comprendere le fasi successive.

2 Note sul copyright e informazioni sui marchi commerciali

I nomi di prodotto o di aziende citati sono marchi commerciali o marchi commerciali registrati appartenenti alle rispettive società.

3 Norme di sicurezza



ATTENZIONE! L'installazione e la manutenzione del dispositivo devono essere eseguite solo da personale tecnico specializzato.



ATTENZIONE! L'impianto elettrico al quale è collegata l'unità deve essere dotato di un interruttore di protezione bipolare automatico. L'interruttore per le unità a tensione di rete deve avere un livello di intervento di 20A max. L'interruttore per le unità a bassa tensione deve avere un livello di intervento di 6A max. Tale interruttore deve essere di tipo Listed. La distanza minima tra i contatti dell'interruttore di protezione deve essere di 3mm. L'interruttore deve essere provvisto di protezione contro la corrente di guasto verso terra (differenziale) e la sovracorrente (magnetotermico).

- Il produttore declina ogni responsabilità per eventuali danni derivanti da un uso improprio delle apparecchiature menzionate in questo manuale. Si riserva inoltre il diritto di modificarne il contenuto senza preavviso. Ogni cura è stata posta nella raccolta e nella verifica della documentazione contenuta in questo manuale. Il produttore, tuttavia, non può assumersi alcuna responsabilità derivante dall'utilizzo della stessa. Lo stesso dicasi per ogni persona o società coinvolta nella creazione e nella produzione di questo manuale.
- Prima di eseguire qualsiasi operazione assicurarsi di togliere tensione al prodotto.
- Non utilizzare cavi con segni di usura o invecchiamento.
- Non effettuare per nessun motivo alterazioni o collegamenti non previsti in questo manuale. L'uso di apparecchi non idonei può portare a gravi pericoli per la sicurezza del personale e dell'impianto.
- Utilizzare solo parti di ricambio originali. Pezzi di ricambio non originali potrebbero causare incendi, scariche elettriche o altri pericoli.
- Prima di procedere con l'installazione, controllare che il materiale fornito corrisponda alle specifiche richieste esaminando le etichette di marcatura (4.2 Marcatura del prodotto, pagina 4).

- Questo dispositivo è stato progettato per essere fissato e collegato in maniera permanente su un edificio o su una struttura adeguata. Il dispositivo deve essere fissato e collegato in maniera permanente prima di effettuare qualsiasi operazione.
- Si devono rispettare le normative nazionali per l'installazione del dispositivo.
- La categoria di installazione (detta anche categoria di sovratensione) specifica i livelli della tensione transitoria di rete alla quale l'apparato è soggetto. La categoria dipende dal luogo di installazione e dalla presenza di dispositivi di protezione contro le sovratensioni. Un dispositivo per ambienti industriali, connesso ai rami principali dell'impianto di alimentazione è soggetto alla categoria di installazione III. Se questo è il caso, è richiesta una riduzione alla categoria II. Ciò può essere ottenuto utilizzando un trasformatore di isolamento con schermatura connessa a terra tra il primario ed il secondario, o tramite l'impiego di dispositivi di protezione contro le sovratensioni (SPD), UL listed, connessi tra la fase ed il neutro e tra il neutro e terra. I dispositivi SPD UL listed, dovranno essere predisposti per limitare sovratensioni transitorie in modo ripetitivo e per le seguenti condizioni nominali di funzionamento: Tipo 2 (Dispositivi SPD connessi permanentemente alla rete di alimentazione, per installazioni dal lato del carico del dispositivo di servizio); Corrente nominale di scarica (In) 20kA minimi. Si possono utilizzare ad esempio: FERRAZ SHAWMUT, ST23401PG-CN, ST240SPG-CN specificati per 120Vac/240Vac, (In=20kA). La distanza massima tra l'installazione e la riduzione è di 5m.
- Ogni dispositivo che può essere installato all'interno del prodotto deve essere conforme alle norme di sicurezza attuali.
- Se l'installazione deve essere di tipo NEMA TYPE 4X, l'installatore deve sostituire i pressacavi del prodotto con dei pressacavi di tipo NEMA TYPE 4X.
- L'alimentazione del prodotto deve essere fornita esclusivamente dal cavo PoE (Power over Ethernet).
- Per tutte le connessioni, utilizzare cavi idonei a sopportare temperature di almeno 75°C.
- Il prodotto è progettato per alloggiare solo telecamere opportunamente certificate secondo IEC/UL 60950-1 o IEC/UL 62368-1 (7W max).
- L'impianto elettrico deve essere dotato di un sezionatore di rete prontamente riconoscibile e utilizzabile in caso di necessità.
- Per la connessione della linea di alimentazione utilizzare l'apposita scatola di connessione (UPTJ BUL). Per ulteriori informazioni fare riferimento al manuale d'uso ed installazione del prodotto.
- Utilizzare dei capicorda Listed per la connessione dei conduttori di rete ai morsetti. I capicorda devono essere adeguati al tipo di installazione (da -20°C a +80°C min., V-0). Esempi di capicorda: RP, BP o YP (Cembre).

4 Identificazione

4.1 Descrizione e designazione del prodotto

La custodia HOV Hi-PoE IPM sfrutta in maniera ottimale la tecnologia POE e Hi-POE, utilizzando la potenza resa disponibile dal cavo Ethernet come unica fonte di alimentazione per tutti i dispositivi gestiti e ottenere così una maggiore affidabilità e flessibilità dell'impianto network oltre alla semplificazione nelle operazioni d'installazione e riduzione dei costi.

Grazie all'innovativo sistema IPM (Intelligent Power Management), si semplifica e si riducono sensibilmente i tempi di installazione con l'utilizzo di un unico cavo Ethernet per il collegamento.

In automatico il sistema Hi-POE IPM rileva tutte le opzioni presenti, come riscaldamento, ventilatore e illuminatore, per poi effettuare autonomamente un bilanciamento della potenza e quindi un'adeguata distribuzione della stessa ai dispositivi collegati. Viene così assicurato un funzionamento ottimale della telecamera IP da -30°C a +60°C, con termoregolazione e cold start (avvio a basse temperature).

Il sistema IPM offre la possibilità di retrofit su impianti analogici con custodie già installate, con il semplice cambio di alloggiamento ed elettronica interna. Questo permette la conversione in digitale, ottimizzando i tempi di realizzo dell'installazione con conseguente riduzione dei costi e dell'impatto ambientale.

4.2 Marcatura del prodotto

Vedere l'etichetta posta sul prodotto.

5 Preparazione del prodotto per l'utilizzo



Qualsiasi intervento non espressamente approvato dal costruttore fa decadere la garanzia.

5.1 Disimballaggio

Alla consegna del prodotto verificare che l'imballo sia integro e non presenti segni evidenti di cadute o abrasioni.

In caso di danni evidenti all'imballo contattare immediatamente il fornitore.

In caso di restituzione del prodotto malfunzionante è consigliato l'utilizzo dell'imballaggio originale per il trasporto.

Conservare l'imballo qualora fosse necessario inviare il prodotto in riparazione.

5.2 Contenuto

Controllare che il contenuto sia corrispondente alla lista del materiale sotto elencato:

- Custodia
- Cablaggio RJ45
- Dotazione per custodia:
 - Chiave esagonale
 - Distanziali
 - Guarnizioni per pressacavi
 - Pressacavi (x3)
 - Viteria
- Manuale di istruzioni
- Sacchetto disidratante

5.3 Smaltimento in sicurezza dei materiali di imballaggio

I materiali d'imballo sono costituiti interamente da materiale riciclabile. Sarà cura del tecnico installatore smaltirli secondo le modalità di raccolta differenziata o comunque secondo le norme vigenti nel Paese di utilizzo.

5.4 Lavoro preparatorio prima dell'installazione

5.4.1 Fissaggio del supporto



Il prodotto deve essere fissato con mezzi adeguati. I mezzi di fissaggio devono garantire la tenuta meccanica applicando una forza pari almeno a 4 volte il peso complessivo dell'apparecchiatura.

6 Installazione



Il prodotto può essere interfacciato con dispositivi non prodotti da VIDEOTEC. VIDEOTEC suggerisce un test prima di qualsiasi installazione. VIDEOTEC non è responsabile di qualsiasi ulteriore costo d'installazione nel caso di problemi di compatibilità.

6.1 Apertura della custodia

Svitare le 2 viti poste sul fianco, far ruotare tettuccio e corpo superiore attorno all'asse delle cerniere di apertura.



Al termine delle operazioni di installazione e cablaggio richiudere il prodotto.

6.2 Rimozione della slitta

Per la rimozione della slitta è necessario svitare parzialmente le viti di fissaggio come illustrato in figura.

Muovere la slitta facendola scorrere fino a far coincidere i fori con le viti di bloccaggio della stessa.

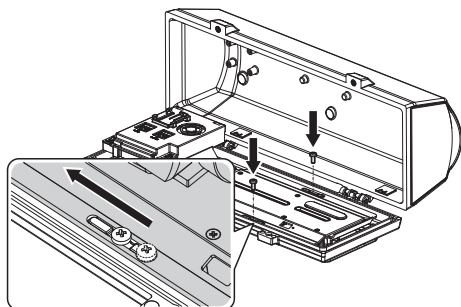


Fig. 1

6.3 Assemblaggio dei pressacavi



Con i supporti per passaggio cavi interno è necessario l'utilizzo del kit di anelli di tenuta (OWBIP). Lo spazio ridotto non permette l'utilizzo dei pressacavi forniti in dotazione. Il kit deve essere acquistato separatamente.

All'interno della dotazione sono presenti 3 pressacavi che devono essere installati sul fondo della custodia come illustrato in figura. I pressacavi non utilizzati devono essere sigillati con il tappo di chiusura per evitare l'ingresso di acqua nella custodia.

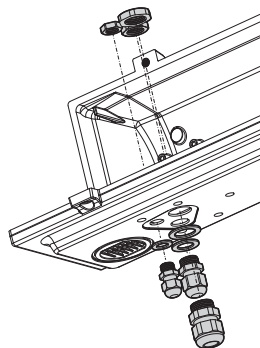


Fig. 2

6.4 Installazione dell'illuminatore GEKO IRH (opzionale)



La potenza massima dell'illuminatore non deve superare i 6W.



Per l'installazione dell'illuminatore è necessario l'utilizzo del supporto per illuminatore (OSUPPIR). Il kit deve essere acquistato separatamente.

Utilizzare il pressacavo o l'anello di tenuta più piccolo per evitare l'ingresso di acqua nella custodia.

Per l'installazione dell'illuminatore su custodia fare riferimento al manuale d'uso ed installazione del prodotto.

Per ulteriori dettagli sulla configurazione e l'utilizzo fare riferimento al relativo capitolo (6.4.4 Collegamento dell'illuminatore GEKO IRH (opzionale), pagina 8).

6.4.1 Installazione della versione con doppio filtro per ricambio dell'aria

i Durante l'installazione prestare attenzione all'orientamento delle alette del filtro di ingresso dell'aria.

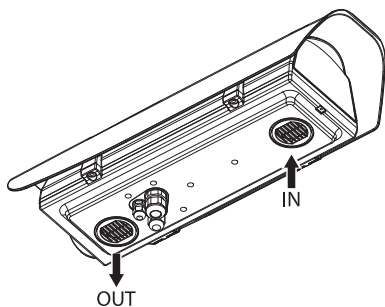


Fig. 3

A seconda dell'angolo di inclinazione della custodia, l'orientamento delle alette del filtro deve prevenire la penetrazione di acqua in caso di pioggia.

Al fine di garantire il grado di protezione, installare la custodia al supporto rispettando i limiti di inclinazione riportati in figura.

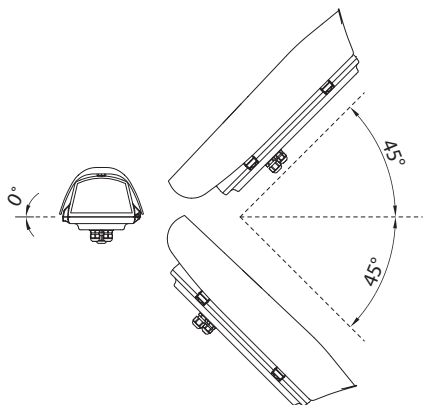


Fig. 4 Massima inclinazione dell'asse trasversale: 0°.
Massima inclinazione dell'asse longitudinale: $\pm 45^\circ$.

6.4.2 Installazione del cavo Ethernet

Inserire il cavo Ethernet nella guarnizione e bloccare il tutto come illustrato in figura.

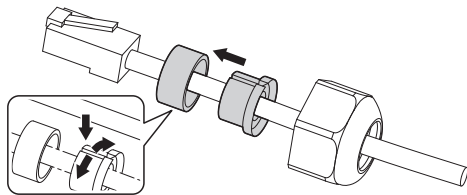


Fig. 5

Assemblare la guarnizione (01) al pressacavo M20 (02). Fissare il pressacavo al fondo custodia (03) tramite il dado M20 (04).

! Prestare attenzione durante il fissaggio.
Coppia di serraggio: 7Nm.

Far passare il cavo con connettore RJ45 (05) attraverso il pressacavo M20 (02). Avvitare il tappo del pressacavo (06).

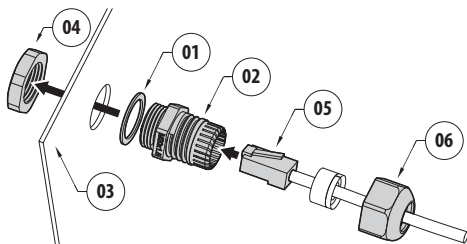


Fig. 6

6.4.3 Installazione della telecamera



Il corretto funzionamento dell'apparecchiatura, nel range di temperatura indicato, è garantito solo se si utilizzano telecamera ed ottica con limiti di temperatura pari ad almeno -10°C e +60°C.



È possibile installare solo telecamere di tipo PoE.

Fissare la telecamera utilizzando le viti (01) e i distanziali (02) forniti in dotazione.

Applicare almeno un distanziale per garantire l'isolamento elettrico tra la slitta e la telecamera.

Posizionare la lente della telecamera a ridosso del vetro per evitare interferenza visiva o riflessi ottici.

Collegare la telecamera al connettore J2 (PoE OUT) con il cavo fornito in dotazione (03).

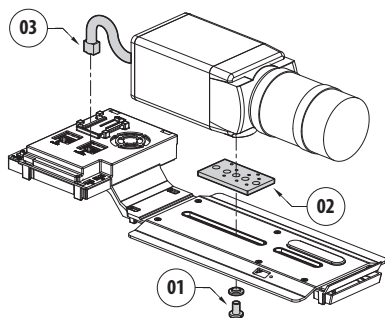


Fig. 7

Riposizionare la slitta nel proprio alloggiamento e fissare le viti precedentemente allentate.

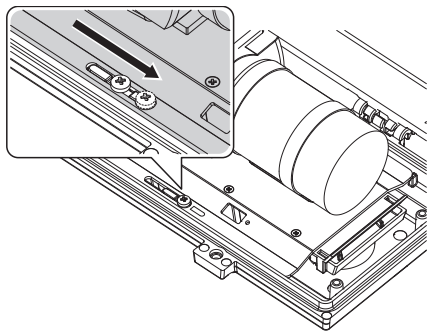


Fig. 8

6.4.4 Collegamento dell'illuminatore GEKO IRH (opzionale)

Collegare l'illuminatore al morsetto J6 come descritto nello schema sottostante.

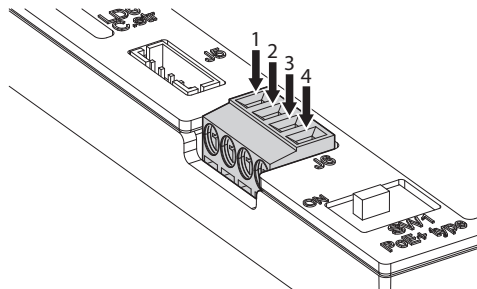


Fig. 9

COLLEGAMENTO ILLUMINATORE GEKO IRH	
Illuminatore	Morsetto J6
Verde (telemetria)	1
Rosso (telemetria)	2
Bianco (alimentazione)	3
Nero (alimentazione)	4

Tab. 1

Per la regolazione della soglia di accensione dell'illuminatore fare riferimento al manuale d'uso ed installazione del prodotto.

6.4.5 Collegamento del cavo PoE

Collegare il cavo PoE proveniente dal Power Injector al connettore J1.

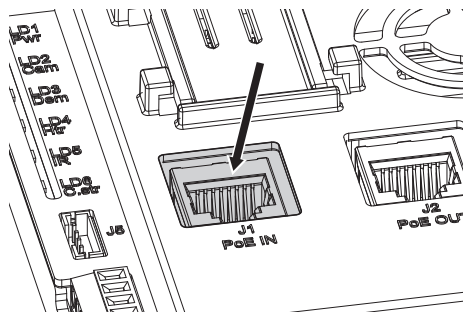


Fig. 10

Prima di alimentare il dispositivo è necessario impostare la potenza massima assorbita dalla custodia agendo sul dip-switch SW1 (7 Configurazione, pagina 9).

6.4.6 Collegamento del riscaldamento antighiaccio del vetro (opzionale)

Collegare il cavo per il riscaldamento del vetro antighiaccio al connettore J3.

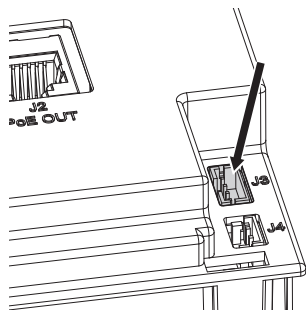


Fig. 11

6.4.7 Collegamento del ventilatore con doppio filtro per il ricambio dell'aria (opzionale)

Collegare il cavo del ventilatore al connettore J4.

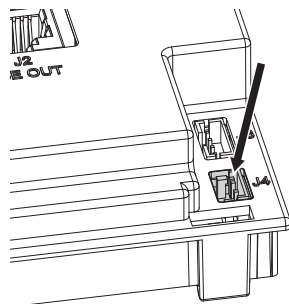


Fig. 12

7 Configurazione

Prima di alimentare il dispositivo è necessario impostare la potenza massima assorbita dalla custodia agendo sul dip-switch SW1.

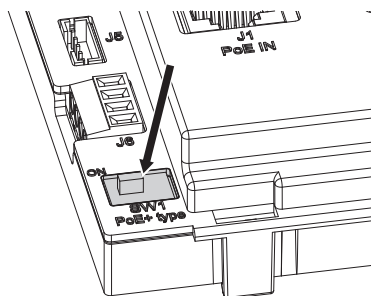


Fig. 13

CONFIGURAZIONE POTENZA ASSORBITA	
SW1	Potenza massima
OFF	PoE classe 3 (13W max)
ON	Hi-PoE classe 4 (25W max)

Tab. 2

In base alla potenza assorbita il sistema può alimentare le opzioni descritte in tabella (Tab. 3, pagina 10).

HOV HI-POE IPM MODELLI DISPONIBILI E CARATTERISTICHE							
Temperatura d'esercizio	Injector	Telecamera	Disappannatore	Illuminatore	Riscaldamento	Vetro riscaldato anti-ghiaccio	Ventilatore con doppio filtro aria
Da -10°C fino a +60°C	PoE classe 3 (13W)	PoE max. classe 2 (7W)	√	-	-	-	√
	Hi-PoE classe 4 (25W)	PoE max. classe 3 (13W)	√	√	-	-	√
Da -10°C fino a +60°C	PoE classe 3 (13W)	PoE max. classe 2 (7W)	√	-	-	-	-
	Hi-PoE classe 4 (25W)	PoE max. classe 3 (13W)	√	√	-	-	-
Da -30°C fino a +60°C	Hi-PoE classe 4 (25W)	PoE max. classe 3 (13W)	√	-	√	-	-
	Hi-PoE classe 4 (25W)	PoE max. classe 3 (13W)	√	-	√	√	-

Tab. 3

8 Accensione

i La procedura di preriscaldamento automatico (De-Ice) si potrebbe attivare tutte le volte che il dispositivo viene acceso ad una temperatura ambiente inferiore a 0°C. La procedura serve a garantire la corretta funzionalità del dispositivo anche alle basse temperature. La durata varia a seconda delle condizioni climatiche (da 60 minuti fino a 120 minuti).

Durante la fase di accensione il dispositivo legge lo stato del dip-switch e rileva in modo automatico tutte le opzioni collegate per la corretta gestione energetica della custodia.

I LED illustrati in figura permettono in qualsiasi momento di verificare lo stato di funzionamento del prodotto.

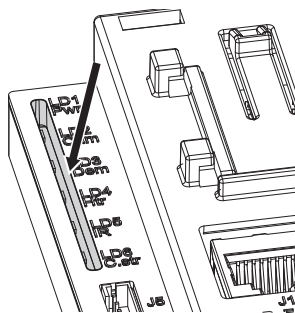


Fig. 14

Fare riferimento alla tabella per identificare lo stato di funzionamento.

STATO DI FUNZIONAMENTO		
LED	Stato LED	Stato Apparato
LD1 (Alimentazione)	Spento	Il dispositivo non è alimentato
	Acceso	Il dispositivo è alimentato correttamente
LD2 (Telecamera)	Spento	La telecamera non è connessa o è attivo il Cold Start
	Acceso	La telecamera è alimentata in modo corretto
	1 lampeggio	La telecamera ha una resistenza di identificazione bassa
	2 lampeggi	La telecamera ha una resistenza di identificazione alta
	5 lampeggi	La telecamera ha un consumo eccessivo
	9 lampeggi	La telecamera richiede più potenza di quella disponibile
LD3 (Disappannamento)	Spento	Il disappannamento non è stato rilevato correttamente
	1 lampeggio	Il disappannamento standard è inattivo
	2 lampeggi	Il sistema anti-ghiaccio (opzionale) è inattivo
	Acceso	Il disappannamento o sistema anti-ghiaccio è in funzione
LD4 (Riscaldamento)	Spento	Il riscaldamento non è disponibile o la potenza disponibile non è sufficiente
	1 lampeggio	Il riscaldamento è inattivo
	Acceso	Il riscaldamento è attivo
LD5 (Illuminatore)	Spento	L'illuminatore (opzionale) non è stato rilevato o la potenza disponibile non è sufficiente
	1 lampeggio	L'illuminatore è alimentato correttamente (l'attivazione dell'illuminatore viene controllata dalla fotocellula dello stesso)
LD6 (Accensione ritardata)	Spento	Il riscaldamento non è disponibile
	1 lampeggio	La procedura di pre-riscaldamento è inattiva
	Acceso	La procedura di pre-riscaldamento è in funzione

Tab. 4

9 Manutenzione e pulizia

9.1 Manutenzione

9.1.1 Kit per ammodernamento degli impianti

i Il kit non può essere installato nelle versioni di custodia munite di tergcristallo.

Rimuovere la slitta (01), la scheda elettronica (02) e il riscaldamento (03).

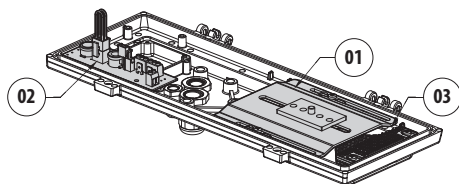


Fig. 15

Per l'installazione del kit fare riferimento al capitolo 6 Installazione, pagina 6.

9.2 Pulizia

9.2.1 Pulizia della finestra e delle parti in plastica

! Evitare alcool etilico, solventi, idrocarburi idrogenati, acidi forti e alcali. L'utilizzo di detti prodotti danneggia in modo irreparabile la superficie trattata.

Si consiglia di utilizzare un panno morbido con sapone neutro diluito con acqua o prodotti specifici per la pulizia delle lenti degli occhiali.

10 Informazioni sullo smaltimento e il riciclo

La Direttiva Europea 2012/19/UE sui Rifiuti di Apparecchiature Elettriche ed Elettroniche (RAEE) prevede che questi apparecchi non debbano essere smaltiti nel normale flusso dei rifiuti solidi urbani, ma che vengano raccolti separatamente per ottimizzare il flusso di recupero e riciclaggio dei materiali che li compongono ed impedire potenziali danni per la salute e per l'ambiente dovuti alla presenza di sostanze potenzialmente pericolose.



Il simbolo del bidone barrato è riportato su tutti i prodotti per ricordarlo.

I rifiuti possono essere conferiti agli appositi centri di raccolta, oppure, possono essere consegnati gratuitamente al distributore dove è stata acquistata l'apparecchiatura all'atto di acquisto di una nuova equivalente o senza obbligo di un acquisto nuovo per le apparecchiature di dimensioni minori di 25cm.

Per ulteriori informazioni sulla corretta dismissione di questi apparecchi ci si può rivolgere al servizio pubblico preposto.

11 Dati tecnici

11.1 Generale

Costruzione in alluminio

Tettuccio in ABS

Verniciatura a polveri di epossipoliestere, colore RAL9002

Viteria esterna in acciaio inox

11.2 Meccanica

Dimensioni utili interne (WxHxL): 100x70x250mm

Pressacavi: 1xM12, 1xM16, 1xM20

Finestra in vetro extrachiaro

- Dimensioni (WxH): 118x75mm

Peso unitario: 3.1kg

11.3 Elettrico

Potenza assorbita in ingresso: PoE classe 3 (13W) oppure Hi-PoE classe 4 (25W) selezionabile da dip switch

Potenza disponibile per telecamera (PoE IN classe 3): PoE classe 2 (7W)

Potenza disponibile per telecamera (Hi-PoE IN classe 4): PoE classe 3 (13W) con funzione "cold start" Ton $-10^{\circ}\text{C} \pm 2^{\circ}\text{C}$

Linea dati: 10/100Base-T

Illuminatore GEKO IRH a bassa potenza: 6W

Riscaldamento: 8W, controllato elettronicamente, Ton $20^{\circ}\text{C} \pm 2^{\circ}\text{C}$, Toff $23^{\circ}\text{C} \pm 2^{\circ}\text{C}$

Ventilatore termostato per raffreddamento della telecamera per versioni con doppio filtro: Ton $35^{\circ}\text{C} \pm 2^{\circ}\text{C}$, Toff $32^{\circ}\text{C} \pm 2^{\circ}\text{C}$

Disappannamento ad aria calda forzata: 5W

Vetro riscaldato anti-ghiaccio: 5W, Ton $30^{\circ}\text{C} \pm 2^{\circ}\text{C}$, Toff $33^{\circ}\text{C} \pm 2^{\circ}\text{C}$

Compatibile con IEEE 802.3af, IEEE 802.3at/PoE Plus

Compatibile con Power Injector (OHEPOWINJ): accessorio opzionale VIDEOTECH

11.4 Ambiente

Installazione per interni ed esterni

Temperatura di esercizio: Da -10°C fino a $+60^{\circ}\text{C}$

Temperatura di esercizio (con riscaldamento): Da -30°C fino a $+60^{\circ}\text{C}$

11.5 Certificazioni

Sicurezza elettrica (CE): EN60950-1, IEC60950-1

Compatibilità elettromagnetica (CE): EN50130-4, EN61000-6-3, EN55022 Classe B, FCC Part. 15 Class B

Installazione all'esterno (CE): EN60950-22, IEC 60950-22

Grado di protezione IP (EN60529):

- IP66/IP67 (con pressacavi)
- IP66/IP67 (con passaggio interno cavi con anelli di tenuta)
- IP55 (con supporto con passaggio interno cavi)
- IP44 (per modelli con doppio filtro per ventilazione)

Grado di protezione IK (EN62262): IK10 (eccetto per il vetro frontale)

Resistenza alla nebbia salina: ISO9227, fino a 1000 ore

Certificazione UL: cULus Listed, TYPE 4X (ad eccezione della versione con doppio filtro per il ricambio dell'aria, HOV32K2A716)

Certificazione EAC

12 Disegni tecnici

i Le misure indicate sono espresse in millimetri.

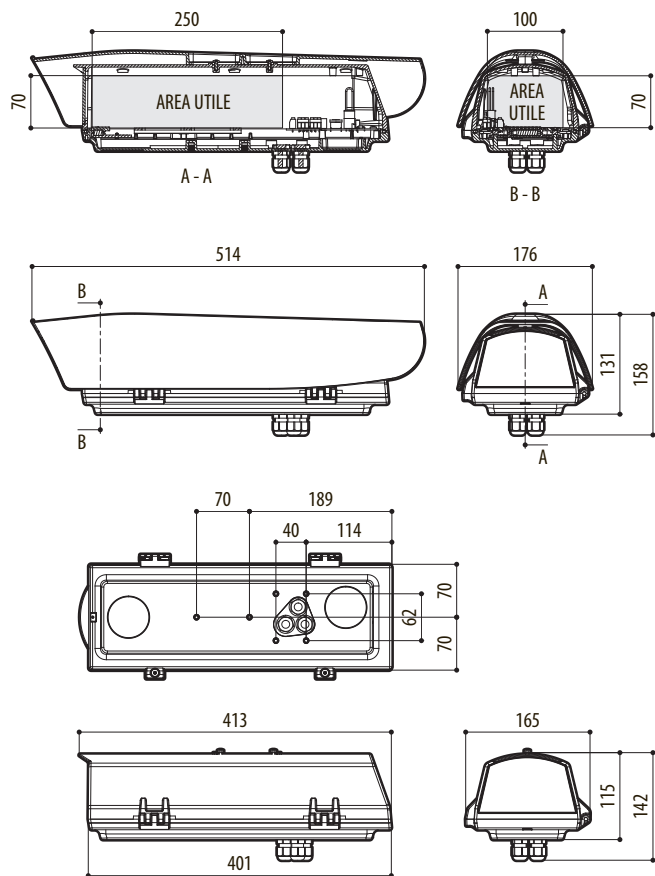


Fig. 16 HOV HiPoE IPM.

Headquarters Italy Videotec S.p.A.
Via Friuli, 6 - I-36015 Schio (VI) - Italy
Tel. +39 0445 697411 - Fax +39 0445 697414
Email: info@videotec.com

Asia Pacific Videotec (HK) Ltd
Flat 8, 19/F. On Dak Industrial Building, No. 2-6 Wah Sing Street
Kwai Chung, New Territories - Hong Kong
Tel. +852 2333 0601 - Fax +852 2311 0026
Email: info.hk@videotec.com

France Videotec France SARL
Immeuble Le Montreal, 19bis Avenue du Québec, ZA de Courtaboeuf
91140 Villebon sur Yvette - France
Tel. +33 1 60491816 - Fax +33 1 69284736
Email: info.fr@videotec.com

Americas Videotec Security, Inc.
Gateway Industrial Park, 35 Gateway Drive, Suite 100
Plattsburgh, NY 12901 - U.S.A.
Tel. +1 518 825 0020 - Fax +1 518 825 0022
Email: info.usa@videotec.com



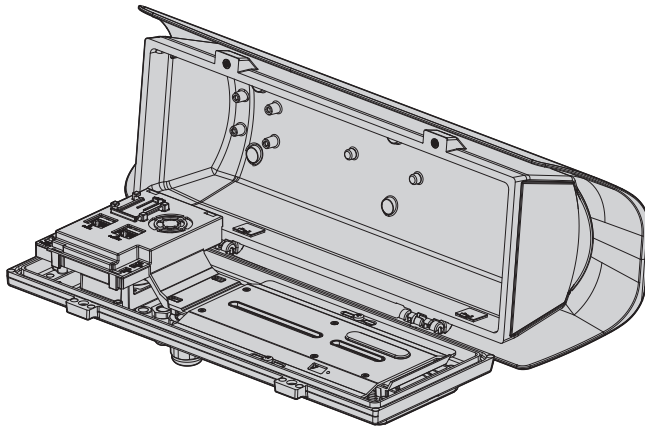
www.videotec.com

MNVCHOVHPOE_2024_IT



HOV Hi-PoE IPM

Caisson en aluminium avec technologie IPM pour caméras IP



Sommaire

1 À propos de ce mode d'emploi	3
1.1 Conventions typographiques	3
2 Notes sur le copyright et informations sur les marques de commerce	3
3 Normes de sécurité	3
4 Identification.....	4
4.1 Description et désignation du produit.....	4
4.2 Marquage du produit.....	4
5 Préparation du produit en vue de l'utilisation.....	5
5.1 Déballage	5
5.2 Contenu	5
5.3 Élimination sans danger des matériaux d'emballage	5
5.4 Opérations à effectuer avant l'installation	5
5.4.1 Fixation du support.....	5
6 Installation	6
6.1 Ouverture du caisson.....	6
6.2 Retrait de la glissière	6
6.3 Assemblage des presse-étoupes.....	6
6.4 Installation du projecteur GEKO IRH (en option)	6
6.4.1 Installation de la version avec double filtre pour le changement d'air.....	7
6.4.2 Installation du câble Ethernet.....	7
6.4.3 Installation de la caméra	8
6.4.4 Branchement du projecteur GEKO IRH (en option).....	8
6.4.5 Branchement du câble PoE	9
6.4.6 Branchement du chauffage antigivrant du verre (en option)	9
6.4.7 Branchement du ventilateur avec double filtre pour le changement d'air (en option).....	9
7 Configuration.....	9
8 Allumage	10
9 Entretien et nettoyage	11
9.1 Entretien	11
9.1.1 Kit pour modernisation des systèmes.....	11
9.2 Nettoyage.....	11
9.2.1 Nettoyage de la fenêtre et des parties en plastique	11
10 Informations sur l'élimination et le recyclage.....	12
11 Données techniques.....	12
11.1 Généralités	12
11.2 Mécanique.....	12
11.3 Électrique.....	12
11.4 Environnement	12
11.5 Certifications.....	12
12 Dessins techniques.....	13

1 À propos de ce mode d'emploi

Avant d'installer et d'utiliser ce produit, lire attentivement toute la documentation fournie. Garder le manuel à portée de main pour des consultations successives.

1.1 Conventions typographiques



DANGER!

Risque élevé.

Risque de choc électrique. Sauf indication contraire, sectionner l'alimentation avant de procéder à toute opération.



ATTENTION!

Risque moyen.

Opération extrêmement importante en vue d'un fonctionnement correct du système. Lire avec attention les opérations indiquées et s'y conformer rigoureusement.



REMARQUE

Description des caractéristiques du système.

Il est conseillé de procéder à une lecture attentive pour une meilleure compréhension des phases suivantes.

2 Notes sur le copyright et informations sur les marques de commerce

Les noms de produit ou de sociétés cités sont des marques de commerce ou des marques de commerce enregistrées.

3 Normes de sécurité



ATTENTION! L'installation et l'entretien du dispositif doivent être effectués exclusivement par un personnel technique qualifié.



ATTENTION! L'installation électrique à laquelle l'unité est branchée doit être équipée d'un interrupteur de protection bipolaire automatique. L'interrupteur pour les unités à tension de rete doit avoir un niveau d'intervention de 20A max. L'interrupteur pour les unités à basse tension doit avoir un niveau d'intervention de 6A max. Cet interrupteur doit être de type Listed. La distance minimale entre les de l'interrupteur de protection contacts doit être de 3mm. L'interrupteur doit être équipé de protection contre le courant de défaut vers la terre (différentiel) et le surintensité (magnétothermique).

- Le fabricant décline toute responsabilité pour les dommages éventuels dus à une utilisation non appropriée des appareils mentionnés dans ce manuel. On réserve en outre le droit d'en modifier le contenu sans préavis. La documentation contenue dans ce manuel a été rassemblée et vérifiée avec le plus grand soin. Le fabricant, cependant, ne peut assumer aucune responsabilité dérivant de l'emploi de celle là. La même chose vaut pour chaque personne ou société impliquées dans la création et la production de ce manuel.
- Sectionner l'alimentation avant de procéder à toute opération.
- Ne pas utiliser de câbles usés ou endommagés.
- Ne procéder sous aucun prétexte à des modifications ou des connexions non prévues dans ce manuel. L'utilisation d'appareils non adéquats peut comporter des dangers graves pour la sécurité du personnel et de l'installation.
- Utiliser uniquement des pièces de rechange d'origine. Les pièces non d'origine peuvent être source d'incendies, de choc électrique ou autres.
- Avant de procéder à l'installation, contrôler que le matériel fourni correspond à la commande et examiner les étiquettes de marquage (4.2 Marquage du produit, page 4).

- Cet appareil est conçu pour être fixé et relié de manière permanente sur un bâtiment ou une structure adéquate. L'appareil doit être fixé et relié de manière permanente avant d'effectuer toute opération.
- Il faut respecter les législations nationales pour l'installation du dispositif.
- La catégorie d'installation (ou catégorie de surtension) spécifie les niveaux de la tension de secteur correspondant à l'appareil. La catégorie dépend du lieu d'installation et du dispositif de protection contre les surtensions installé. En cas d'environnement industriel directement connecté aux circuits de dérivation du système d'alimentation, l'équipement est classé dans la catégorie d'installation III. Dans ce cas, un déclassement à la catégorie II est nécessaire. Peut être obtenu au moyen d'un transformateur d'isolement avec blindage électrostatique entre le primaire et le secondaire ou en utilisant des dispositifs de protection contre les surtensions (SPD), UL listed, entre la phase et le neutre et entre le neutre et la terre. Les dispositifs SPD UL cités doivent être prévus pour limiter les surtensions transitoires en mode répétitif et pour les conditions nominales de fonctionnement suivantes: Type 2 (dispositifs SPD reliés en permanence au côté charge du côté du dispositif de protection contre les surintensités); courant nominal de décharge (In) 20kA min. Exemples d'utilisation possible: FERRAZ SHAWMUT, ST23401PG-CN, ST240SPG-CN spécifiés pour 120Vac/240Vca, (In=20kA). La distance maximale entre installation et réduction est de 5m.
- Chaque appareils pouvant être installés à l'intérieur du produit doivent être conformes aux normes de sécurité en vigueur.
- Si l'installation doit être de type NEMA TYPE 4X, l'installateur devra remplacer les presse-étoupes du produit avec des presse-étoupes de type NEMA TYPE 4X.
- L'alimentation du produit doit être fournie exclusivement par le câble PoE (Power over Ethernet).
- Pour tous les branchements, utiliser les câbles spécifiques pouvant résister à des températures d'au moins 75°C.
- Le produit est conçu pour héberger uniquement des caméras correctement certifiées selon IEC/UL 60950-1 ou IEC/UL 62368-1 (7W max).
- L'installation électrique doit être équipée d'un sectionneur de réseau facile à reconnaître et à utiliser en cas de nécessité.
- Pour raccorder la ligne d'alimentation utiliser le boîtier de connexion spécifique (UPTJBUL). Pour plus d'informations, se référer au manuel d'utilisation et d'installation du produit.
- Utiliser des cosses Listed pour relier les conducteurs de réseau aux bornes. Les cosses doit être appropriés au type d'installation (de -20°C à +80°C min., V-0). Exemples de cosses: RP, BP o YP (Cembre).

4 Identification

4.1 Description et désignation du produit

Le caisson HOV Hi-PoE IPM exploite la technologie POE et Hi-POE de manière optimale, en utilisant la puissance rendue disponible par le câble Ethernet comme unique source d'alimentation pour tous les dispositifs gérés et obtenir ainsi une plus grande fiabilité et flexibilité de l'installation network en plus de la simplification lors des opérations d'installation et de réduction des coûts.

Grâce au système innovant IPM (Intelligent Power Management), les temps d'installation sont réduits sensiblement par l'utilisation d'un câble Ethernet unique pour le raccordement.

Le système Hi-POE IPM détecte automatiquement toutes les options présentes, comme le chauffage, le ventilateur et le projecteur, pour effectuer ensuite de manière autonome un équilibrage de la puissance, et donc une distribution adéquate de celle-ci aux dispositifs raccordés. Cela garantit un fonctionnement optimal des caméras IP de -30°C à +60°C, avec régulation thermique et cold start (mise en marche à basse température).

Le système IPM offre la possibilité de retrofit sur les installations analogiques avec des caissons déjà installés, grâce au simple changement de la glissière et d'électronique interne. Ceci permet la conversion au format numérique, optimisant ainsi les temps de réalisation de l'installation, avec une réduction conséquente des coûts et de l'impact environnemental.

4.2 Marquage du produit

Voir l'étiquette positionné sur le produit.

5 Préparation du produit en vue de l'utilisation



Toute modification non approuvée expressément par le fabricant entraînera l'annulation de la garantie.

5.1 Déballage

Lors de la livraison du produit, vérifier que l'emballage est en bon état et l'absence de tout signe évident de chute ou d'abrasion.

En cas de dommages évidents, contacter immédiatement le fournisseur.

En cas de retour du produit défectueux, il est conseillé d'utiliser l'emballage original pour le transport.

Conserver l'emballage en cas de nécessité d'expédition du produit pour réparation.

5.2 Contenu

Contrôler que le contenu correspond à la liste matériel indiquée ci-dessous:

- Caisson
- Câblage RJ45
- Dotation pour caisson:
 - Clé Allen
 - Entretoises
 - Joints pour presse-étoupes
 - Presse-étoupes (x3)
 - Vis
- Manuel d'instructions
- Sachet déshydratant

5.3 Élimination sans danger des matériaux d'emballage

Le matériel d'emballage est entièrement composé de matériaux recyclables. Le technicien chargé de l'installation est tenu de l'éliminer conformément aux dispositions en matière de collecte sélective et selon les normes en vigueur dans le pays d'utilisation.

5.4 Opérations à effectuer avant l'installation

5.4.1 Fixation du support



Le produit doit être fixé à l'aide des moyens appropriés. Les moyens de fixation doivent garantir l'étanchéité mécanique et appliquer une force égale au moins à 4 fois le poids total de l'appareil.

6 Installation



Le produit peut être interfacé avec des dispositifs pas manufacturé par VIDEOTEC. VIDEOTEC conseille par conséquent de procéder à un essai avant toute installation. VIDEOTEC décline toute responsabilité en cas de coûts d'installations supplémentaires entraînés par des problèmes de compatibilité.

6.1 Ouverture du caisson

Dévisser les 2 vis placées sur le côté, faire tourner le toit pare-soleil et le corps supérieur autour de l'axe des charnières d'ouverture.



Au terme des opérations d'installation et de câblage, refermer le produit.

6.2 Retrait de la glissière

Pour retirer la glissière, il faut dévisser partiellement les vis de fixation comme illustré en figure.

Déplacer la glissière en la faisant glisser jusqu'à ce que les trous coïncident avec les vis de blocage de celle-ci.

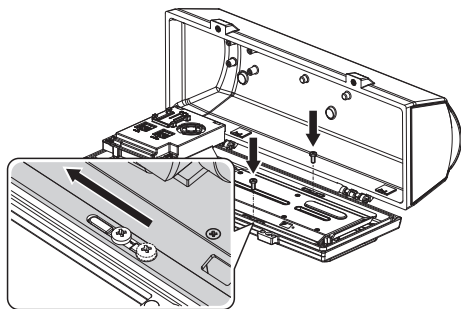


Fig. 1

6.3 Assemblage des presse-étoupes



Avec les supports pour passage des câbles interne, vous devez utiliser le kit de bagues d'étanchéité (OWBIP). L'espace réduit ne permet pas d'utiliser les presse-étoupes fournis avec l'équipement. Le kit doit être acheté séparément.

Dans les équipements, 3 presse-étoupes sont présents; ils doivent être installés au fond du caisson comme illustré en figure. Les presse-étoupes non utilisés doivent être scellés à l'aide du bouchon de fermeture afin d'éviter que de l'eau puisse rentrer dans le caisson.

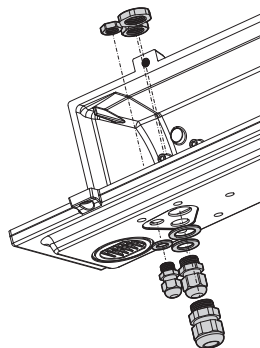


Fig. 2

6.4 Installation du projecteur GEKO IRH (en option)



La puissance maximale du projecteur ne doit pas dépasser les 6W.



Pour l'installation du projecteur, il faut utiliser le support pour projecteur (OSUPPIR). Le kit doit être acheté séparément.

Utiliser le presse-étoupe ou la bague d'étanchéité la plus petite afin d'éviter que de l'eau puisse rentrer dans le caisson.

Pour l'installation du projecteur sur le caisson, se référer au manuel d'utilisation et installation du produit.

Pour de plus amples informations quant à la configuration et l'utilisation, consulter le chapitre spécifique (6.4.4 Branchement du projecteur GEKO IRH (en option), page 8).

6.4.1 Installation de la version avec double filtre pour le changement d'air

i Durant l'installation prêter l'installation à l'orientation des ailettes du filtre d'entrée de l'air.

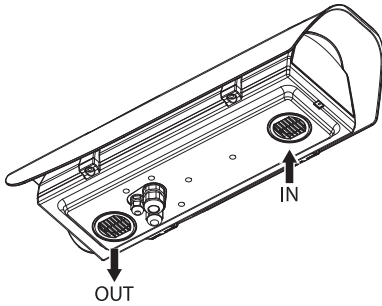


Fig. 3

Selon l'angle d'inclinaison de la gaine, l'orientation des ailettes du filtre doit empêcher à l'eau de pénétrer en cas de pluie.

Pour garantir un degré de protection, installer le caisson au support en respectant les limites d'inclinaison selon la figure.

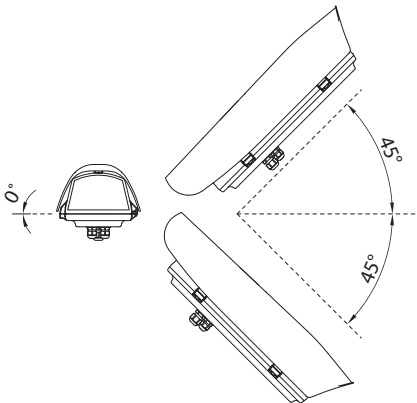


Fig. 4 Inclinaison maximale de l'axe transversal: 0°.
Inclinaison maximale de l'axe longitudinal: $\pm 45^\circ$.

6.4.2 Installation du câble Ethernet

Insérer le câble Ethernet dans le joint de protection et les bloquer comme illustré en figure.

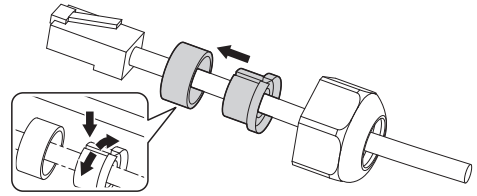


Fig. 5

Assembler la garniture (01) au presse-étoupe M20 (02). Fixer le presse-étoupe au fond du caisson (03) via l'écrou M20 (04).

! **Faire attention pendant la fixation. Couple de serrage: 7Nm.**

Faire passer le câble avec connecteur RJ45 (05) à travers le presse-étoupe M20 (02). Serrer le bouchon du presse-étoupe (06).

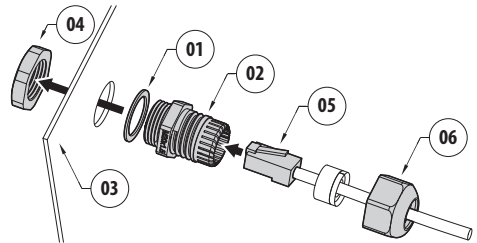


Fig. 6

6.4.3 Installation de la caméra



Le bon fonctionnement de l'unité, à l'intérieur de l'intervalle de température indiqué, est garanti uniquement si la caméra et le système optique sont utilisés avec un intervalle de température égal à min. -10°C et +60°C.



Vous ne pouvez installer que des caméras de type PoE.

Fixer la caméra en utilisant les vis (01) et les entretoises (02) fournies avec l'équipement.

Appliquer au moins une entretoise afin de garantir l'isolement électrique entre la glissière et la caméra.

Placer la lentille de la caméra à l'abri du verre pour éviter toute interférence visuelle ou des reflets optiques.

Brancher la caméra au connecteur J2 (PoE OUT) à l'aide du câble fourni avec l'équipement (03).

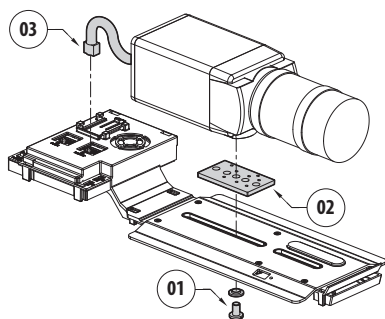


Fig. 7

Replacer la glissière dans son emplacement et fixer les vis desserrées précédemment.

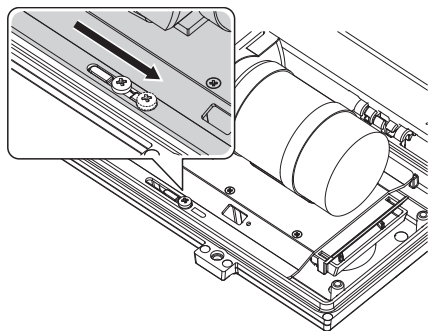


Fig. 8

6.4.4 Branchement du projecteur GEKO IRH (en option)

Brancher le projecteur à la borne J6 comme décrit dans le schéma ci-dessous.

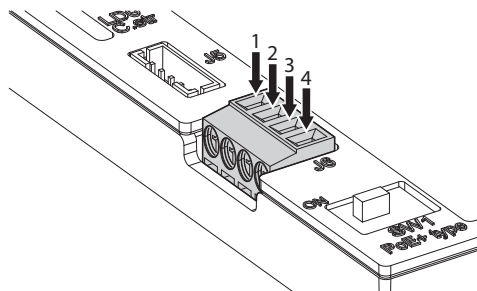


Fig. 9

BRANCHEMENT PROJECTEUR GEKO IRH	
Projecteur	Borne J6
Vert (télémétrie)	1
Rouge (télémétrie)	2
Blanc (alimentation)	3
Noir (alimentation)	4

Tab. 1

Pour le réglage du seuil d'allumage du projecteur, se référer au manuel d'utilisation et installation du produit.

6.4.5 Branchement du câble PoE

Brancher le câble PoE provenant de Power Injector au collecteur J1.

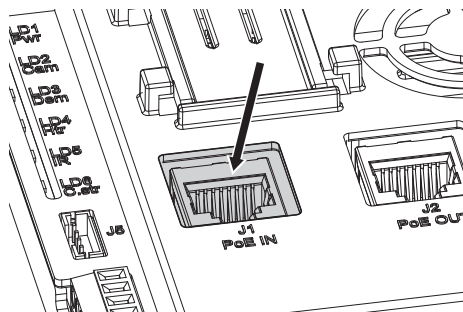


Fig. 10

Avant d'alimenter le dispositif, il faut régler la puissance maximale absorbée par le caisson en agissant sur le dip-switch SW1 (7 Configuration, page 9).

6.4.6 Branchement du chauffage antigivrant du verre (en option)

Brancher le câble pour le chauffage du verre antigivrant au connecteur J3.

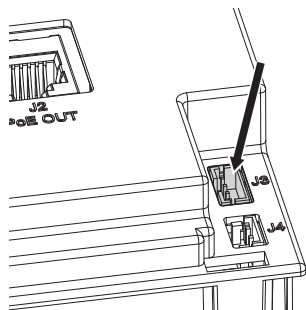


Fig. 11

6.4.7 Branchement du ventilateur avec double filtre pour le changement d'air (en option)

Brancher le câble du ventilateur au connecteur J4.

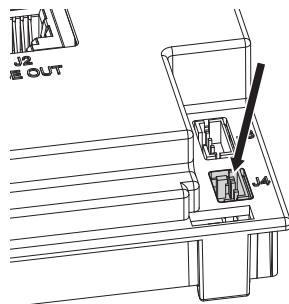


Fig. 12

7 Configuration

Avant d'alimenter le dispositif, il faut régler la puissance maximale absorbée par le caisson en agissant sur le dip-switch SW1.

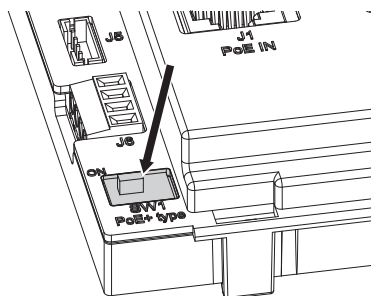


Fig. 13

CONFIGURATION PUISSANCE ABSORBÉE	
SW1	Puissance maximale
OFF	PoE classe 3 (13W max)
ON	Hi-PoE classe 4 (25W max)

Tab. 2

En fonction de la puissance absorbée, le système peut alimenter les options décrites dans le tableau (Tab. 3, page 10).

HOV HI-POE IPM MODÈLES DISPONIBLES ET CARACTÉRISTIQUES

Température de fonctionnement:	Injector	Caméra	Désembueur	Projecteur	Chauffage	Vitre chauffée antigel	Ventilateur avec double filtre à air
De -10°C jusqu'à +60°C	PoE classe 3 (13W)	PoE max. classe 2 (7W)	√	-	-	-	√
	Hi-PoE classe 4 (25W)	PoE max. classe 3 (13W)	√	√	-	-	√
De -10°C jusqu'à +60°C	PoE classe 3 (13W)	PoE max. classe 2 (7W)	√	-	-	-	-
	Hi-PoE classe 4 (25W)	PoE max. classe 3 (13W)	√	√	-	-	-
De -30°C jusqu'à +60°C	Hi-PoE classe 4 (25W)	PoE max. classe 3 (13W)	√	-	√	-	-
	Hi-PoE classe 4 (25W)	PoE max. classe 3 (13W)	√	-	√	√	-

Tab. 3

8 Allumage

i La procédure de préchauffage automatique (De-Ice) peut être activée chaque fois que le dispositif est mis en fonction à une température ambiante inférieure à 0°C. La procédure permet de garantir un fonctionnement correct du dispositif également à basse température. La durée varie en fonction des conditions climatiques (de 60 minutes jusqu'à 120 minutes).

Lors de l'allumage, le dispositif lit l'état du dip-switch et relève automatiquement toutes les options liées pour la bonne gestion énergétique du caisson.

Les LED illustrés sur la figure permettent à tout moment de vérifier l'état de fonctionnement du produit.

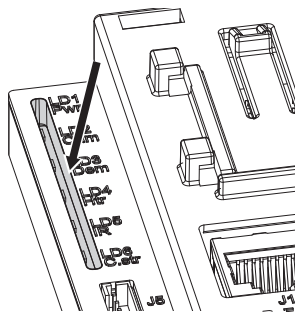


Fig. 14

Se référer au tableau afin d'identifier l'état de fonctionnement.

ÉTAT DE FONCTIONNEMENT		
LED	État LED	État Appareil
LD1 (Alimentation)	Éteint	Le dispositif n'est pas alimenté
	Allumé	Le dispositif est alimenté correctement
LD2 (Caméra)	Éteint	La caméra n'est pas branchée ou le Cold Start est actif
	Allumé	La caméra est alimentée correctement
	1 clignotement	La caméra a une résistance d'identification basse
	2 clignotements	La caméra a une résistance d'identification haute
	5 clignotements	La caméra consomme de manière excessive
	9 clignotements	La caméra demande plus de puissance par rapport à celle disponible
LD3 (Désembuage)	Éteint	Le désembuage n'a pas été détecté correctement
	1 clignotement	Le désembuage standard est inactif
	2 clignotements	Le système antigivrants (en option) est inactif
	Allumé	Le désembuage ou système antigivrants est en marche
LD4 (Chauffage)	Éteint	Le chauffage n'est pas disponible ou la puissance disponible est insuffisante
	1 clignotement	Le chauffage est inactif
	Allumé	Le chauffage est actif
LD5 (Projecteur)	Éteint	Le projecteur (en option) n'a pas été détecté ou la puissance disponible est insuffisante
	1 clignotement	Le projecteur est alimenté correctement (l'activation du projecteur est contrôlée par sa photocellule)
LD6 (Allumage retardé)	Éteint	Le chauffage n'est pas disponible
	1 clignotement	La procédure de préchauffage est inactive
	Allumé	La procédure de préchauffage est en marche

Tab. 4

9 Entretien et nettoyage

9.1 Entretien

9.1.1 Kit pour modernisation des systèmes

i Le kit ne peut être installé dans les versions de caisson équipées d'essuie-glace.

Retirer la glissière (01), la carte électronique (02) et le chauffage (03).

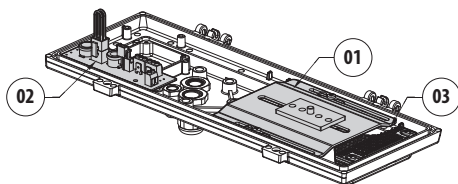


Fig. 15

Pour l'installation du kit, se référer au chapitre 6 Installation, page 6.

9.2 Nettoyage

9.2.1 Nettoyage de la fenêtre et des parties en plastique

! On doit éviter alcool éthylique, solvants, hydrocarbures hydro-génés, acides forts et alcali. L'emploi de ce type de produits abîme d'une façon irréparable la surface traitée.

Il est conseillé d'utiliser un chiffon souple avec des savons neutres dilués avec de l'eau ou des produits spécifiques pour le nettoyage des verres des lunettes.

10 Informations sur l'élimination et le recyclage

La Directive Européenne 2012/19/UE sur les déchets d'équipements électriques et électroniques (DEEE) exige que ces dispositifs ne doivent pas être éliminés dans le flux normal de déchets solides municipaux, mais ils doivent être collectés séparément afin d'optimiser le flux de récupération et de recyclage des matériaux qu'ils contiennent et pour réduire l'impact sur la santé humaine et l'environnement en raison de la présence de substances potentiellement dangereuses.



Le symbole de la poubelle sur roues barrée d'une croix figure sur tous les produits pour le rappeler.

Les déchets peuvent être livrés aux centres de collecte appropriés ou peuvent être livrés gratuitement au distributeur où vous avez acheté l'équipement, au moment de l'achat d'un nouvel dispositif équivalent ou sans obligation d'achat pour un équipement de taille inférieure de 25cm.

Pour plus d'informations sur l'élimination correcte de ces dispositifs, vous pouvez contacter le service public responsable.

11 Données techniques

11.1 Généralités

Construction en aluminium

Double toit en ABS

Vernissage avec poudres époxypolyester, couleur RAL9002

Visserie extérieure en acier inox

11.2 Mécanique

Surface intérieure utile (WxHxL): 100x70x250mm

Presse-étoupes: 1xM12, 1xM16, 1xM20

Fenêtre en verre extra-clair

- Dimensions (WxH): 118x75mm

Poids net: 3.1kg

11.3 Électrique

Puissance absorbée en entrée: PoE classe 3 (13W) ou Hi-PoE classe 4 (25W) sélectionnable par dip switch

Puissance disponible pour caméra (PoE IN classe 3): PoE Classe 2 (7W)

Puissance disponible pour caméra (Hi-PoE IN classe 4): PoE classe 3 (13 W) avec fonction « cold start » Ton $-10^{\circ}\text{C} \pm 2^{\circ}\text{C}$

Ligne données: 10/100Base-T

Projecteur GEKO IRH basse puissance: 6W

Chauffage: 8W, contrôlé électroniquement, Ton $20^{\circ}\text{C} \pm 2^{\circ}\text{C}$, Toff $23^{\circ}\text{C} \pm 2^{\circ}\text{C}$

Ventilateur avec thermostat pour le refroidissement de la caméra pour les versions avec double filtre: Ton $35^{\circ}\text{C} \pm 2^{\circ}\text{C}$, Toff $32^{\circ}\text{C} \pm 2^{\circ}\text{C}$

Désembuage à air chaud forcé: 5W

Vitre chauffée antigel: 5W, Ton $30^{\circ}\text{C} \pm 2^{\circ}\text{C}$, Toff $33^{\circ}\text{C} \pm 2^{\circ}\text{C}$

Compatible avec IEEE 802.3af, IEEE 802.3at/PoE Plus

Compatible avec le Power Injector à PoE (OHEPOWINJ: accessoire VIDEOTEC en option)

11.4 Environnement

Installation d'intérieur et d'extérieur

Température de fonctionnement: De -10°C jusqu'à $+60^{\circ}\text{C}$

Température de fonctionnement (avec chauffage): De -30°C jusqu'à $+60^{\circ}\text{C}$

11.5 Certifications

Sécurité électrique (CE): EN60950-1, IEC60950-1

Compatibilité électromagnétique (CE): EN50130-4, EN61000-6-3, EN55022 Classe B, FCC Part. 15 Class B

Installation à l'extérieur (CE): EN60950-22, IEC 60950-22

Degré de protection IP (EN60529):

- IP66/IP67 (avec presse-étoupes)
- IP66/IP67 (avec support avec passage interne des câbles et avec anneaux d'étanchéité)
- IP55 (avec support avec passage interne des câbles)
- IP44 (pour modèle avec double filtre pour ventilation)

Degré de protection IK (EN62262): IK10 (à l'exception du verre avant)

Résistant à la brume saline: ISO9227, jusqu'à 1000 heures

Certification UL: cULus Listed, TYPE 4X (à l'exception de la version avec double filtre pour l'échange d'air HOV32K2A716)

Certification EAC

12 Dessins techniques

i Les tailles indiquées sont en millimètres.

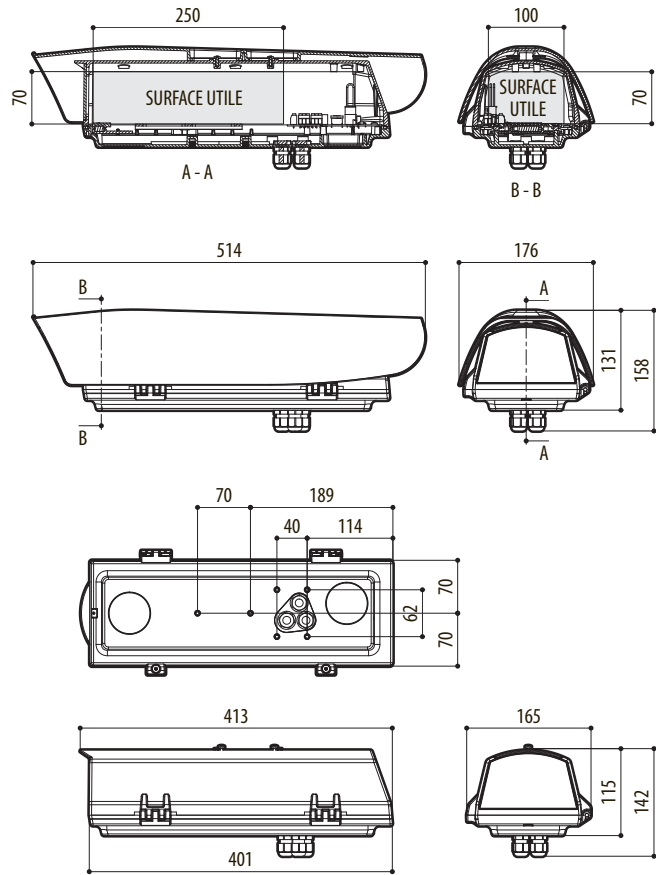


Fig. 16 HOV HiPoE IPM.

Headquarters Italy Videotec S.p.A.
Via Friuli, 6 - I-36015 Schio (VI) - Italy
Tel. +39 0445 697411 - Fax +39 0445 697414
Email: info@videotec.com

Asia Pacific Videotec (HK) Ltd
Flat 8, 19/F. On Dak Industrial Building, No. 2-6 Wah Sing Street
Kwai Chung, New Territories - Hong Kong
Tel. +852 2333 0601 - Fax +852 2311 0026
Email: info.hk@videotec.com

France Videotec France SARL
Immeuble Le Montreal, 19bis Avenue du Québec, ZA de Courtaboeuf
91140 Villebon sur Yvette - France
Tel. +33 1 60491816 - Fax +33 1 69284736
Email: info.fr@videotec.com

Americas Videotec Security, Inc.
Gateway Industrial Park, 35 Gateway Drive, Suite 100
Plattsburgh, NY 12901 - U.S.A.
Tel. +1 518 825 0020 - Fax +1 518 825 0022
Email: info.usa@videotec.com



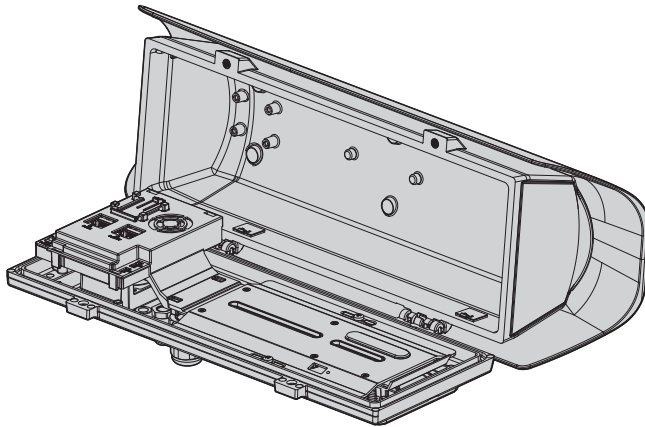
www.videotec.com

MNVCHOVHPOE_2024_FR



HOV Hi-PoE IPM

Aluminiumgehäuse mit IPM-Technologie für Netzwerk-Kamera



Inhaltsverzeichnis

1 Allgemeines	3
1.1 Schreibweisen.....	3
2 Anmerkungen zum Copyright und Informationen zu den Handelsmarken	3
3 Sicherheitsnormen	3
4 Identifizierung	4
4.1 Beschreibung und Bezeichnung des Produktes	4
4.2 Kennzeichnung des Produkts	4
5 Vorbereitung des Produktes auf den Gebrauch	5
5.1 Entfernen der Verpackung	5
5.2 Inhalt	5
5.3 Sichere Entsorgung der Verpackungsmaterialien	5
5.4 Auf die Installation vorbereitende Tätigkeiten	5
5.4.1 Befestigung der Halterung.....	5
6 Installation	6
6.1 Öffnen des Gehäuses	6
6.2 Entfernen des Schlittens	6
6.3 Zusammenbau der Kabelverschraubungen.....	6
6.4 Installation des Scheinwerfers GEKO IRH (optional).....	6
6.4.1 Installation der Version mit Doppelfilter für den Luftaustausch	7
6.4.2 Installation des Ethernet-Kabels.....	7
6.4.3 Installation der Kamera.....	8
6.4.4 Anschluss des Scheinwerfers GEKO IRH (Sonderausstattung)	8
6.4.5 Anschluss des PoE-Kabels.....	9
6.4.6 Anschluss der Frostschutzheizung der Glasscheibe (Sonderausstattung)	9
6.4.7 Anschluss des Lüfters mit Doppelfilter für den Luftaustausch (Sonderausstattung)	9
7 Konfiguration	9
8 Einschaltung	10
9 Wartung und Reinigung	11
9.1 Wartung	11
9.1.1 Bausatz für die Modernisierung der Anlagen.....	11
9.2 Reinigung.....	11
9.2.1 Reinigung des Fensters und der Kunststoffteile.....	11
10 Informationen bezüglich Entsorgung und Recycling	12
11 Technische Daten	12
11.1 Allgemeines	12
11.2 Mechanik.....	12
11.3 Elektrik	12
11.4 Umgebung.....	12
11.5 Zertifizierungen.....	12
12 Technische Zeichnungen	13

1 Allgemeines

Vor der Installation und Anwendung dieses Produkts ist die gesamte mitgelieferte Dokumentation aufmerksam zu lesen. Zum späteren Nachschlagen das Handbuch in Reichweite aufbewahren.

1.1 Schreibweisen



GEFAHR!

Erhöhte Gefährdung.
Stromschlaggefahr. Falls nichts anderes angegeben, unterbrechen Sie die Stromversorgung, bevor die beschriebenen Arbeiten durchgeführt werden.



ACHTUNG!

Mittlere Gefährdung.
Der genannte Vorgang hat große Bedeutung für den einwandfreien Betrieb des Systems. Es wird gebeten, sich die Verfahrensweise durchzulesen und zu befolgen.



ANMERKUNG

Beschreibung der Systemmerkmale.
Eine sorgfältige Lektüre wird empfohlen, um das Verständnis der folgenden Phasen zu gewährleisten.

2 Anmerkungen zum Copyright und Informationen zu den Handelsmarken

Die angeführten Produkt- oder Firmennamen sind Handelsmarken oder eingetragene Handelsmarken.

3 Sicherheitsnormen



ACHTUNG! Die Installation und Wartung der Vorrichtung ist technischen Fachleuten vorbehalten.



ACHTUNG! Die elektrische Anlage, an der die Einheit angeschlossen ist, muss mit einem automatischen zweipoligen Schutzschalter versehen werden. Der Schalter für die mit Netzspannung betriebenen Einheiten muss eine Auslöseschwelle von max. 20A haben. Der Schalter für die mit Niederspannung betriebenen Einheiten muss eine Auslöseschwelle von max. 6A haben. Dieser Schalter muss vom Typ Listed sein. Zwischen den Schutzschalter Kontakten muss mindestens ein Abstand von 3mm vorhanden sein. Der Schalter muss eine Schutzeinrichtung gegen Erde Fehlerstrom (Differenzial) und gegen Überstrom haben (magnetothermisch).

- Der Hersteller lehnt jede Haftung für eventuelle Schäden ab, die aufgrund unsachgemäßer Anwendung der in diesem Handbuch erwähnten Geräte entstanden ist. Ferner behält er sich das Recht vor, den Inhalt ohne Vorkündigung abzuändern. Die Dokumentation in diesem Handbuch wurde sorgfältig ausgeführt und überprüft. Der Hersteller kann dennoch keine Haftung für die Verwendung übernehmen. Dasselbe gilt für jede Person oder Gesellschaft, die bei der Schaffung oder Produktion von diesem Handbuch miteinbezogen ist.
- Unterbrechen Sie die Stromversorgung, bevor die beschriebenen Arbeiten durchgeführt werden.
- Es dürfen keine Kabel mit Verschleiß- oder Alterungsspuren verwendet werden.
- Unter keinen Umständen dürfen Veränderungen oder Anschlüsse vorgenommen werden, die in diesem Handbuch nicht genannt sind. Der Gebrauch ungeeigneten Geräts kann die Sicherheit des Personals und der Anlage schwer gefährden.
- Es dürfen nur Original-Ersatzteile verwendet werden. Nicht originale Ersatzteile können zu Bränden, elektrischen Entladungen oder anderen Gefahren führen.
- Vor der Installation ist anhand des Kennzeichnungsschildes nachzuprüfen, ob das gelieferte Material die gewünschten Eigenschaften (4.2 Kennzeichnung des Produkts, Seite 4).

- Die Einrichtung ist für die dauerhafte Befestigung und Verbindung in ein Gebäude oder eine andere geeignete Struktur konzipiert. Vor jeder Operation muss die Einrichtung dauerhaft befestigt und verbunden werden.
- Die nationalen Vorschriften für die Installation der Einrichtung sind einzuhalten.
- Die Installationskategorie (auch als Überspannungskategorie bezeichnet) gibt den Pegel der Netzspannungsstöße an, denen die Ausrüstung ausgesetzt ist. Die Kategorie hängt vom Installationsort der Ausrüstung und von den externen Schutzvorrichtungen gegen Spannungsstöße ab. Ausrüstungen in einer gewerblichen Umgebung, die direkt mit den Hauptzweigen der Versorgungsanlage verbunden sind, gehören zur Installationskategorie III. In diesem Fall ist eine Abstufung auf Installationskategorie II erforderlich. Alternativ können UL listed Überspannungsschutzvorrichtungen (SPD) von Fase zu Nullleiter und von Nullleiter zur Erde geführt werden. UL-gelistete Überspannungsschutzvorrichtungen sind für die wiederholte Begrenzung kurzzeitig auftretender Spannungsspitzen und für die folgenden nominellen Betriebsbedingungen auszulegen: Typ 2 (Dauerhaft angeschlossene Überspannungsschutzvorrichtungen für die Installation auf der Ladungsseite der Hilfseinrichtung); Nennladestrom (In) 20kA min. Benutzt werden können beispielsweise: FERRAZ SHAWMUT, STT2240SPG-CN, STT2BL240SPG-CN, spezifiziert für 120Vac/240Vac, (In=20kA). Der maximale Abstand zwischen dem Einbau und der Abkürzung ist 5m.
- Jede Art in das Produkt installierbares Gerät muss den geltenden Sicherheitsnormen genügen.
- Bei einer Installation vom Typ NEMA TYPE 4X müssen die Kabelverschraubungen des Produkts durch Kabelverschraubungen vom Typ NEMA TYPE 4X ersetzt werden.
- Die Stromversorgung des Produkts darf ausschließlich über das PoE-Kabel erfolgen. (Power over Ethernet).
- Benutzen Sie für alle Verbindungen Kabel, die bis mindestens 75°C hitzebeständig sind.
- Das Produkt kann nur für entsprechend zertifizierte Kameras benutzt werden, die gemäß IEC/UL 60950-1 oder IEC/UL 62368-1 (7W max).
- Die elektrische Anlage muss mit einem Netztrennschalter versehen sein, der im Bedarfsfall sofort erkannt und gebraucht werden kann.
- Für den Anschluss der Versorgungsleitung den entsprechenden Anschlusskasten verwenden (UPTJBUL). Für weitere Informationen siehe Bedienungs- und Installationshandbuch des Produktes.
- Für den Anschluss der Netzleiter an die Klemmen Listed-Kabelschuhe verwenden. Die Kabelschuhe müssen für die Art der Installation geeignet sein. (von -20°C a +80°C min., V-0). Beispiele für Kabelschuhe: RP, BP o YP (Cembre).

4 Identifizierung

4.1 Beschreibung und Bezeichnung des Produktes

Das Gehäuse HOV Hi-PoE IPM nützt die PoE- und Hi-PoE-Technologie optimal aus, da es die vom Ethernet-Kabel, das als einzige Versorgungsquelle für alle gesteuerten Vorrichtungen vorgesehen ist, gelieferte Leistung verwendet und somit, abgesehen von einer Vereinfachung der Installationstätigkeiten und einer Kostenreduzierung, auch eine höhere Zuverlässigkeit und Flexibilität der Netzwerk-Anlage erreicht werden kann.

Dank des innovativen IPM-Systems (Intelligent Power Management), können die Installationszeiten deutlich verringert werden, da für die Verbindung nur ein einziges Ethernet-Kabel benötigt wird.

Das Hi-PoE IPM-System erfasst automatisch alle vorhandenen Optionen, wie Heizung, Lüfter und Scheinwerfer und sorgt dann selbständig für einen Leistungsausgleich, d.h für eine angemessene Leistungsverteilung auf die verbundenen Vorrichtungen. Dadurch kann ein optimaler Betrieb der IP-Videokamera von -30 °C bis +60 °C mit Temperaturregelung und Cold Start (Inbetriebnahme bei niedrigen Temperaturen) gewährleistet werden.

Das IPM-System kann für analoge Anlagen mit bereits installierten Gehäusen nachgerüstet werden. Dafür sind einfach nur das Gehäuse und die interne Elektronik auszutauschen. Dadurch wird eine Umstellung auf Digitalbetrieb ermöglicht, wodurch die Installationszeiten optimiert und in Folge sowohl die Kosten, als auch die Umweltauswirkungen reduziert werden können.

4.2 Kennzeichnung des Produkts

Siehe das Label auf dem Produkt.

5 Vorbereitung des Produktes auf den Gebrauch



Jede vom Hersteller nicht ausdrücklich genehmigte Veränderung führt zum Verfall der Gewährleistungsrechte.

5.1 Entfernen der Verpackung

Bei der Lieferung des Produktes ist zu prüfen, ob die Verpackung intakt ist oder offensichtliche Anzeichen von Stürzen oder Abrieb aufweist.

Bei offensichtlichen Schadensspuren an der Verpackung muss umgehend der Lieferant verständigt werden.

Im Falle der Rückgabe des nicht korrekt funktionierenden Produktes empfiehlt sich die Verwendung der Originalverpackung für den Transport.

Bewahren Sie die Verpackung auf für den Fall, dass das Produkt zur Reparatur eingeschendet werden muss.

5.2 Inhalt

Prüfen Sie, ob der Inhalt mit der nachstehenden Materialliste übereinstimmt:

- Gehäuse
- RJ45 Verkabelung
- Innensechskantschlüssel:
 - Sechskantschlüssel
 - Abstandsstücke
 - Dichtungen für Kabelverschraubungen
 - Kabelverschraubungen (x3)
 - Schrauben
- Bedienungsanleitung
- Trockenmittelbeutel

5.3 Sichere Entsorgung der Verpackungsmaterialien

Die Verpackungsmaterialien sind vollständig wiederverwertbar. Es ist Sache des Installationstechnikers, sie getrennt, auf jeden Fall aber nach den geltenden Vorschriften des Anwendungslandes zu entsorgen.

5.4 Auf die Installation vorbereitende Tätigkeiten

5.4.1 Befestigung der Halterung



Das Produkt muss mit geeigneten Mitteln befestigt werden. Die Befestigungsmittel müssen die mechanische Festigkeit beim Anlegen von mindestens dem 4-fachen Gesamtgewicht des Gerätes garantieren.

6 Installation



Die Einheit kann über Schnittstellen mit Produkten verbunden werden, die nicht von VIDEOTEC produziert sind. Deshalb empfiehlt VIDEOTEC vor jeder Installation einen Test. VIDEOTEC lehnt die Haftung für etwaige Installationskosten bei Kompatibilitätsprobleme ab.

6.1 Öffnen des Gehäuses

Die beiden an der Flanke befindlichen Schrauben abdrehen, nun die Haube und den oberen Korpus um die Achse der Öffnungsscharniere drehen.



Nach Beendigung der Installation und der Verkabelung das Produkt wieder schließen.

6.2 Entfernen des Schlittens

Für die Entfernung des Schlittens müssen die Befestigungsschrauben teilweise gelöst werden, wie in der Abbildung gezeigt.

Nun den Schlitten soweit gleiten lassen, bis seine Bohrungen mit den Befestigungsschrauben übereinstimmen.

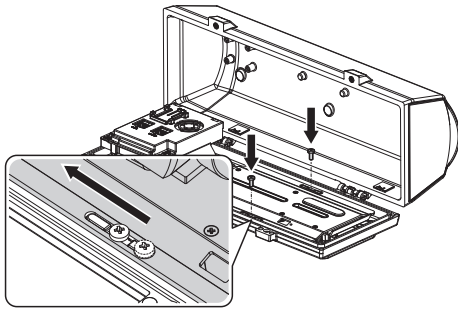


Abb. 1

6.3 Zusammenbau der Kabelverschraubungen



Zusammen mit den Halterungen für die interne Kabeldurchführung muss der Satz Dichtungsringe (OWBIP) verwendet werden. Der begrenzte Platz macht die Verwendung der mitgelieferten Kabelverschraubungen unmöglich. Der Bausatz muss getrennt gekauft werden.

Im Lieferumfang sind 3 Kabelverschraubungen enthalten, die am Boden des Gehäuses installiert werden müssen, wie in der Abbildung gezeigt. Die nicht verwendeten Kabelverschraubungen müssen mit dem Verschlussdeckel versiegelt werden, um das Eindringen von Wasser ins Gehäuse zu vermeiden.

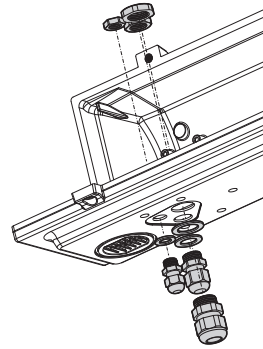


Abb. 2

6.4 Installation des Scheinwerfers GEKO IRH (optional)



Die maximale Leistung des Scheinwerfers darf 6W nicht überschreiten.



Für die Installation des Scheinwerfers muss die Halterung für Scheinwerfer verwendet werden (OSUPPIR). Der Bausatz muss getrennt gekauft werden.

Die kleinste Kabelverschraubung oder Dichtring verwenden, um das Eindringen von Wasser in das Gehäuse zu vermeiden.

Für die Installation des Scheinwerfers auf Gehäuse, siehe das Betriebs- und Installationshandbuch des Produkts.

Für weitere Details zur Konfiguration und zum Gebrauch beachten Sie bitte das entsprechende Kapitel. (6.4.4 Anschluss des Scheinwerfers GEKO IRH (Sonderausstattung), Seite 8).

6.4.1 Installation der Version mit Doppelfilter für den Luftaustausch

i Während der Installation auf die Ausrichtung der Luftklappen am Lufteinlassfilter achten.

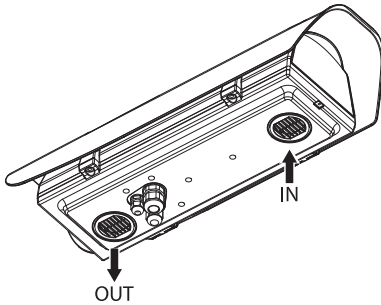


Abb. 3

Je nach Neigungswinkel des Gehäuses müssen die Luftklappen am Filter so ausgerichtet sein, dass bei Regen kein Wasser eindringen kann.

Das Gehäuse auf der Halterung gemäß den Neigungsbegrenzungen des Bildes installieren, um den Schutzgrad zu garantieren.

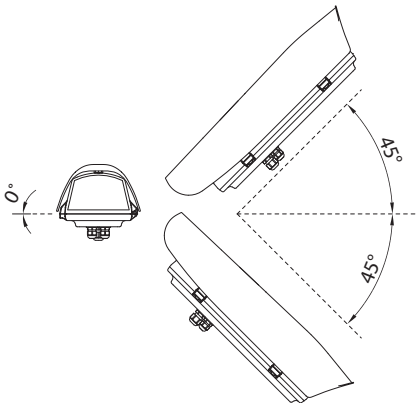


Abb. 4 Maximale Neigung der Querachse: 0°.
Maximale Neigung der Längsachse: $\pm 45^\circ$.

6.4.2 Installation des Ethernet-Kabels

Das Ethernet Kabel in die Dichtung in einsetzen und alles blockieren, wie in der Abbildung gezeigt.

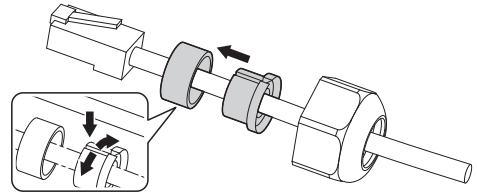


Abb. 5

Die Dichtung (01) an der M20-Kabelverschraubung (02) montieren. Die Kabelverschraubung mit der Mutter M20 (04) unten am Gehäuse (03) befestigen.

! Auf die Befestigung achten.
Anzugsdrehmoment: 7Nm.

Das Kabel mit dem Verbinder RJ45 (05) durch die M20Kabelverschraubung (02) führen. Den Stopfen der Kabelverschraubung zuschrauben (06).

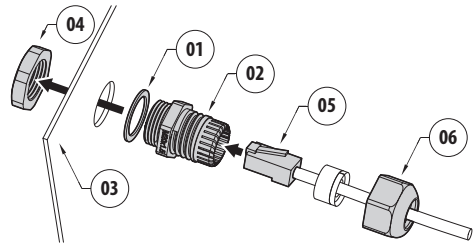


Abb. 6

6.4.3 Installation der Kamera



Der korrekte Betrieb des Gerätes innerhalb des angezeigten Temperaturbereichs ist **nur garantiert, wenn die Temperaturschwellen der verwendeten Kamera und Optik mindestens zwischen -10°C und +60°C liegen.**



Es können nur Kameras vom Typ PoE installiert werden.

Die Kamera mithilfe der mitgelieferten Schrauben (01) und Abstandsstücke (02) befestigen.

Mindestens ein Abstandsstück anbringen, um die elektrische Isolation zwischen Schlitten und Kamera zu gewährleisten.

Die Kameralinse vor dem Glas positionieren, um Sichtstörung oder optische Reflexe zu vermeiden.

Die Kamera an den Verbinder J2 (PoE OUT) anschließen, mit dem im Lieferumfang enthaltenen Kabel (03).

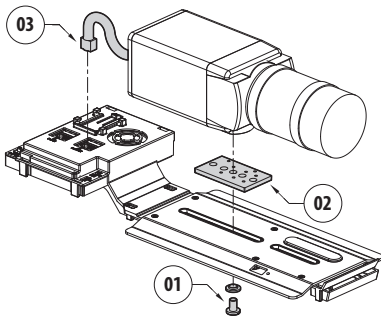


Abb. 7

Den Schlitten wieder in seiner Aufnahme positionieren und die zuvor gelockerten Schrauben festziehen.

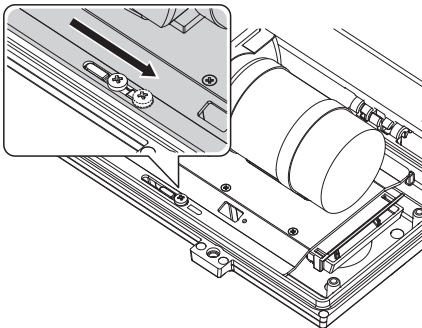


Abb. 8

6.4.4 Anschluss des Scheinwerfers GEKO IRH (Sonderausstattung)

Den Scheinwerfer an die Klemme J6 anschließen, wie im Schema unten beschrieben.

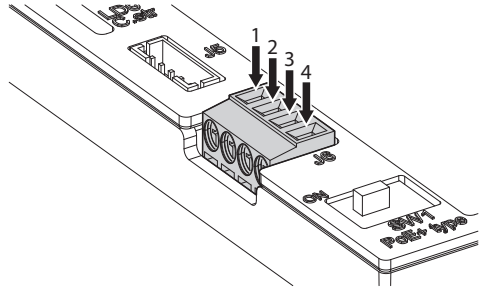


Abb. 9

ANSCHLUSS SCHEINWERFER GEKO IRH	
Scheinwerfer	Klemme J6
Grün (Telemetrie)	1
Rot (Telemetrie)	2
Weiß (Netzteil)	3
Schwarz (Netzteil)	4

Tab. 1

Für die Einstellung der Einschaltgrenze des Scheinwerfers, siehe das Betriebs- und Installationshandbuch des Produkts.

6.4.5 Anschluss des PoE-Kabels

Verbinden Sie das vom Power Injector kommende PoE-Kabel mit dem Verbinder J1.

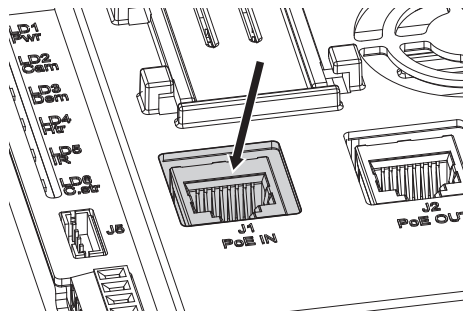


Abb. 10

Bevor das Gerät mit Strom versorgt wird, muss die maximale Leistungsaufnahme vom Gehäuse eingestellt werden, indem der Dip-Schalter SW1 betätigt wird (7 Konfiguration, Seite 9).

6.4.6 Anschluss der Frostschutzheizung der Glasscheibe (Sonderausstattung)

Das Kabel für die Frostschutz-Heizung der Glasscheibe an den Verbinder J3 anschließen.

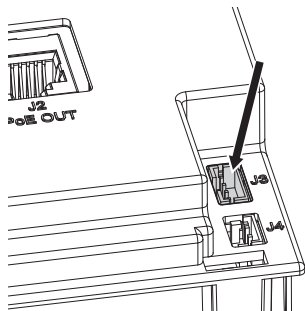


Abb. 11

6.4.7 Anschluss des Lüfters mit Doppelfilter für den Luftaustausch (Sonderausstattung)

Das Kabel des Lüfters an den Verbinder J4 anschließen.

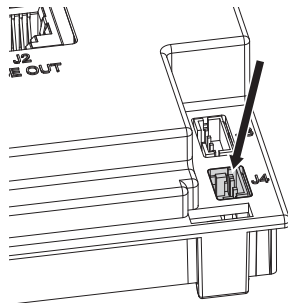


Abb. 12

7 Konfiguration

Bevor das Gerät mit Strom versorgt wird, muss die maximale Leistungsaufnahme vom Gehäuse eingestellt werden, indem der Dip-Schalter SW1 betätigt wird.

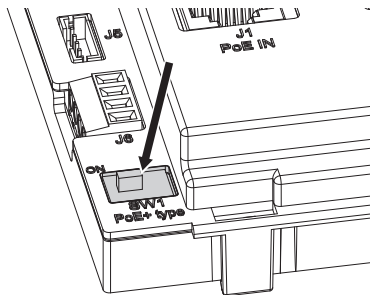


Abb. 13

KONFIGURATION LEISTUNGS-AUFNAHME	
SW1	Maximale Leistung
OFF	PoE Klasse 3 (13W max)
ON	Hi-PoE Klasse 4 (25W max)

Tab. 2

In Abhängigkeit der Leistungsaufnahme kann das System die in der Tabelle beschriebenen Optionen versorgen (Tab. 3, Seite 10).

HOV HI-POE IPM VERFÜGBARE MODELLE UND MERKMALE

Betriebstemperatur	Injector	Kamera	Beschlagentfernung	Scheinwerfer	Heizung	Heizbares Vereisungsschutz-Glas	Lüfter mit doppeltem Luftfilter
Von -10°C bis zu +60°C	PoE Klasse 3 (13W)	PoE max. Klasse 2 (7W)	√	-	-	-	√
	Hi-PoE Klasse 4 (25W)	PoE max. Klasse 3 (13W)	√	√	-	-	√
Von -10°C bis zu +60°C	PoE Klasse 3 (13W)	PoE max. Klasse 2 (7W)	√	-	-	-	-
	Hi-PoE Klasse 4 (25W)	PoE max. Klasse 3 (13W)	√	√	-	-	-
Von -30°C bis zu +60°C	Hi-PoE Klasse 4 (25W)	PoE max. Klasse 3 (13W)	√	-	√	-	-
	Hi-PoE Klasse 4 (25W)	PoE max. Klasse 3 (13W)	√	-	√	√	-

Tab. 3

8 Einschaltung



Der automatische Vorheizvorgang (De-Ice) könnte immer dann aktiviert werden, wenn das Gerät bei einer Umgebungstemperatur von unter 0°C in Betrieb genommen wird. Dieser Vorgang ist notwendig, um die korrekte Funktionalität der Vorrichtung auch bei niedrigen Temperaturen zu gewährleisten. Die Dauer liegt je nach Wetterbedingungen (von 60 Minuten bis zu 120 Minuten).

Während der Einschaltphase liest das Gerät den Zustand des Dip-Schalters und erfasst automatisch alle verbundenen Optionen, für eine korrekte Energiesteuerung des Gehäuses.

Mithilfe der LEDs aus der Abbildung kann jederzeit der Betriebszustand des Produkts überprüft werden.

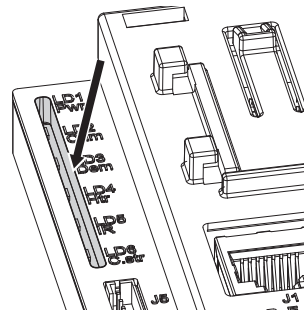


Abb. 14

Nehmen Sie Bezug auf die Tabelle, um den Betriebszustand zu erkennen.

BETRIEBSZUSTAND		
LED	LED-Zustand	Gerätezustand
LD1 (Netzteil)	Aus	Das Gerät wird nicht versorgt
	Auf	Das Gerät wird ordnungsgemäß versorgt
LD2 (Kamera)	Aus	Die Kamera ist nicht angeschlossen oder der Cold Start ist aktiviert
	Auf	Die Kamera wird ordnungsgemäß versorgt
	1-mal Blinken	Die Kamera hat einen niedrigen Identifikationswiderstand
	2-mal Blinken	Die Kamera hat einen hohen Identifikationswiderstand
	5-mal Blinken	Die Kamera hat einen zu hohen Verbrauch
	9-mal Blinken	Die Kamera benötigt mehr Leistung als verfügbar
LD3 (Beschlagentfernung)	Aus	Die Beschlagentfernung wurde nicht ordnungsgemäß erfasst
	1-mal Blinken	Die Standard-Beschlagentfernung ist nicht in Betrieb
	2-mal Blinken	Die Frostschutzanlage (Optional) ist nicht in Betrieb
	Auf	Die Beschlagentfernung oder Frostschutzanlage ist in Betrieb
LD4 (Heizung)	Aus	Die Heizung ist nicht verfügbar oder die verfügbare Leistung ist nicht ausreichend
	1-mal Blinken	Die Heizung ist nicht in Betrieb
	Auf	Die Heizung ist in Betrieb
LD5 (Scheinwerfer)	Aus	Der Scheinwerfer (optional) wurde nicht erfasst oder die verfügbare Leistung ist nicht ausreichend
	1-mal Blinken	Der Scheinwerfer wird ordnungsgemäß versorgt (seine Aktivierung wird von einer Fotozelle am Scheinwerfer kontrolliert)
LD6 (Verzögertes Einschalten)	Aus	Die Heizung ist nicht verfügbar
	1-mal Blinken	Das Vorheizverfahren ist nicht in Betrieb
	Auf	Das Vorheizverfahren ist in Betrieb

Tab. 4

9 Wartung und Reinigung

9.1 Wartung

9.1.1 Bausatz für die Modernisierung der Anlagen

i Der Bausatz kann nicht in Gehäuse-Versionen mit Scheibenwischer installiert werden.

Den Schlitten (01), die Platine (02) und die Heizung (03) entfernen.

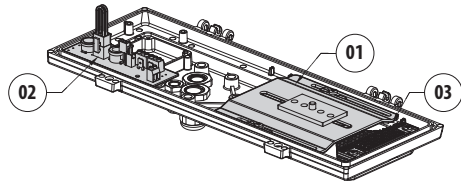


Abb. 15

Für die Installation des Bausatzes siehe Kapitel 6 Installation, Seite 6.

9.2 Reinigung

9.2.1 Reinigung des Fensters und der Kunststoffteile

! Zu vermeiden sind Äthylalkohol, Lösungsmittel, hydrierte Kohlenwasserstoffe, starke Säuren und alkalische Lösungen. Diese Produkte können die behandelte Oberfläche beschädigen.

Es wird empfohlen, ein weiches Tuch und neutrale mit Wasser verdünnte Seife oder ein spezifisches Reinigungsmittel für Brillengläser zu verwenden.

10 Informationen bezüglich Entsorgung und Recycling

Die EU-Richtlinie 2012/19/EU über Elektro- und Elektronik-Altgeräte (WEEE) verpflichtet, dass diese Geräte nicht zusammen mit festen Haushaltsabfällen entsorgt werden sollten. Diese besonderen Abfällen müssen separat gesammelt werden, um den Rückgewinnungsstrom und das Recycling der darin enthaltenen Materialien zu optimieren, sowie zur Minderung der Einwirkung auf die menschliche Gesundheit und Umwelt aufgrund des Vorhandenseins von potentiell gefährlichen Stoffen.



Das Symbol des gekreuzten Mullbehälters ist auf allen Produkten markiert, um sich daran zu erinnern.

Die Abfälle dürfen an die ausgewiesenen Müllsammelstellen gebracht werden. Andernfalls darf man es kostenlos an den Vertragshändler bringen, bei dem das Gerät gekauft wurde. Das kann beim Einkauf von neuen gleichartigen Produkten passieren oder auch ohne Verpflichtung eines Neukaufes, falls die Größe des Gerätes kleiner als 25 cm ist.

Mehr Informationen über die korrekte Entsorgung dieser Geräte erhalten Sie bei der entsprechenden Behörde.

11 Technische Daten

11.1 Allgemeines

Aus Aluminium

Sonnenschutzdach aus ABS

Pulverlackierung mit Epoxydpolyester, Farbe RAL9002

Externe Schrauben aus rostfreiem Stahl

11.2 Mechanik

Innere Nutzabmessungen (WxHxL): 100x70x250mm

Kabelverschraubungen: 1xM12, 1xM16, 1xM20

Fenster Extraklarglas

- Abmessungen (WxH): 118x75mm

Einheitsgewicht: 3.1kg

11.3 Elektrik

Leistungsaufnahme am Eingang: PoE Klasse 3 (13 W) oder Hi-PoE Klasse 4 (25 W) wählbar über DIP-Schalter

Verfügbare Leistung für Kamera (PoE IN Klasse 3): PoE Klasse 2 (7W)

Verfügbare Leistung für Kamera (Hi-PoE IN Klasse 4): PoE Klasse 3 (13 W) mit „Cold Start“-Funktion Ton -10 °C ± 2 °C

Datenleitung: 10/100Base-T

GEKO IRH Scheinwerfer, Niederspannung: 6W

Heizung: 8W, elektronisch gesteuert, Ton 20°C±2°C, Toff 23°C±2°C

Mit Thermostat versehener Lüfter zur Kühlung der Videokamera für Ausführungen mit doppeltem Filter: Ton 35°C±2°C, Toff 32°C±2°C

Beschlagentfernung Warmluftgebläse: 5W

Heizbares Vereisungsschutz-Glas: 5W, Ton 30°C±2°C, Toff 33°C±2°C

Kompatibel mit IEEE 802.3af, IEEE 802.3at/PoE Plus

Kompatibel mit Power Injector 1 Kanal (OHEPOWINJ: VIDEOTEC wahlfreies Zubehör)

11.4 Umgebung

Montage für den Innen- und Außenbereich

Betriebstemperatur: Von -10°C bis zu +60°C

Betriebstemperatur (mit Heizung): Von -30°C bis zu +60°C

11.5 Zertifizierungen

Elektrische Sicherheit (CE): EN60950-1, IEC60950-1

Elektromagnetische Verträglichkeit (CE): EN50130-4, EN61000-6-3, EN55022 Klasse B, FCC Part. 15 Class B

Außeninstallation (CE): EN60950-22, IEC 60950-22

Schutzart IP (EN60529):

- IP66/IP67 (mit Kabelverschraubungen)
- IP66/IP67 (mit innerer Kabelführung und Dichtungsringen)
- IP55 (mit Halterung mit innerer Kabelführung)
- IP44 (für Modelle mit Doppelfilter für die Lüftung)

Schutzart IK (EN62262): IK10 (mit Ausnahme der Frontscheibe)

Salznebelbeständig: ISO9227, bis 1000 Stunden

UL-Zertifizierung: cULus Listed, TYPE 4X (mit Ausnahme für die Version mit Doppelfilter für den Luftaustausch, HOV32K2A716)

EAC-Zertifizierung

12 Technische Zeichnungen

i Die Maße sind in Millimetern angegeben.

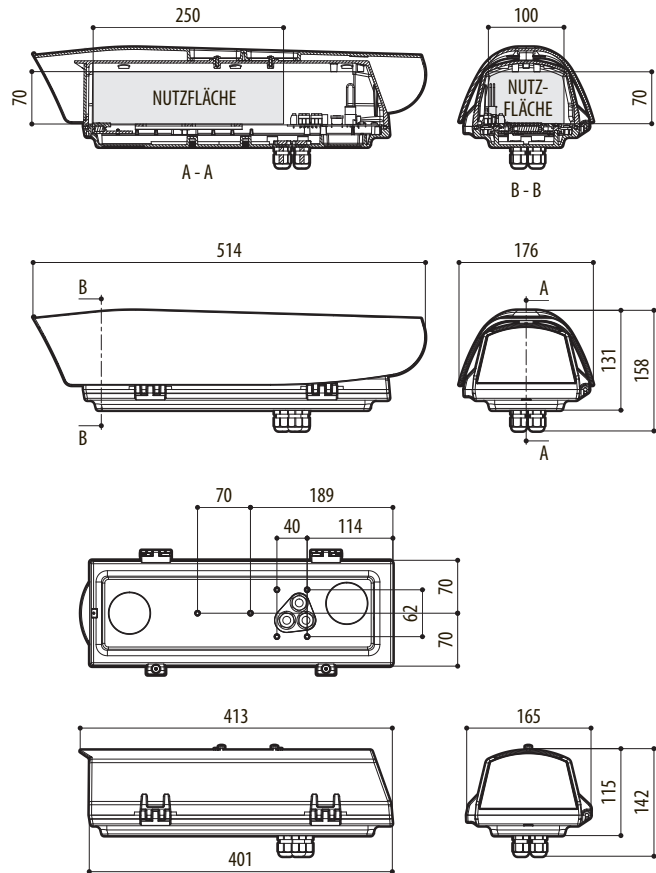


Abb. 16 HOV HiPoE IPM.

Headquarters Italy Videotec S.p.A.
Via Friuli, 6 - I-36015 Schio (VI) - Italy
Tel. +39 0445 697411 - Fax +39 0445 697414
Email: info@videotec.com

Asia Pacific Videotec (HK) Ltd
Flat 8, 19/F. On Dak Industrial Building, No. 2-6 Wah Sing Street
Kwai Chung, New Territories - Hong Kong
Tel. +852 2333 0601 - Fax +852 2311 0026
Email: info.hk@videotec.com

France Videotec France SARL
Immeuble Le Montreal, 19bis Avenue du Québec, ZA de Courtaboeuf
91140 Villebon sur Yvette - France
Tel. +33 1 60491816 - Fax +33 1 69284736
Email: info.fr@videotec.com

Americas Videotec Security, Inc.
Gateway Industrial Park, 35 Gateway Drive, Suite 100
Plattsburgh, NY 12901 - U.S.A.
Tel. +1 518 825 0020 - Fax +1 518 825 0022
Email: info.usa@videotec.com



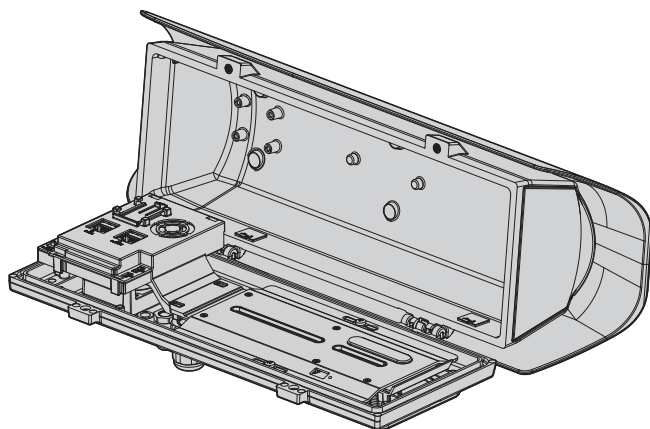
www.videotec.com

MNVCHOVHPOE_2024_DE



HOV Hi-PoE IPM

Алюминиевый кожух с технологией IPM для IP-камер



Комплект оборудования

1	0	1	3
1.1	Типографские условные обозначения		3
2	Примечания в отношении авторского права и информация о торговых марках		3
3	Правила техники безопасности		3
4	Обозначение		4
4.1	Описание и обозначение типа устройства		4
4.2	Маркировка изделия		4
5	Подготовка устройства к использованию		5
5.1	Распаковка		5
5.2	Комплект оборудования		5
5.3	Безопасная утилизация упаковочных материалов		5
5.4	Подготовительные работы перед установкой		5
5.4.1	Установка кронштейна		5
6	Монтаж		6
6.1	Открытие кожуха		6
6.2	Снятие салазок		6
6.3	Установка кабельных муфт		6
6.4	Установка осветителя GEKO IRH (дополнительно)		6
6.4.1	Установка модели с двойным фильтром для воздухообмена		7
6.4.2	Установка кабеля Ethernet		7
6.4.3	Установка камеры		8
6.4.4	Подключение осветителя GEKO IRH (при необходимости)		8
6.4.5	Подключение кабеля PoE		9
6.4.6	Подключение системы против обледенения стекла (при необходимости)		9
6.4.7	Подключение вентилятора с двойным фильтром для воздухообмена (при необходимости)		9
7	Конфигурация		9
8	Включение		10
9	Техническое обслуживание и очистка		11
9.1	Техническое обслуживание		11
9.1.1	Комплект для модернизации оборудования		11
9.2	Очистка		11
9.2.1	Чистка окна и пластмассовых деталей		11
10	Информация об утилизации и переработке		12
11	Технические характеристики		12
11.1	Общие сведения		12
11.2	Механические хар.		12
11.3	Электрические хар.		12
11.4	Окружающая среда		12
11.5	Сертификаты		12
12	Технические чертежи		13

1 О настоящем руководстве

Перед установкой и использованием этого изделия внимательно прочтите всю предоставленную документацию. Всегда держите руководство под рукой, чтобы им можно было воспользоваться в будущем.

1.1 Типографские условные обозначения



ОПАСНОСТЬ!

Высокий уровень опасности. Риск поражения электрическим током. При отсутствии иных указаний отключите питание устройства, перед тем как приступить к выполнению любой операции.



ПРЕДУПРЕЖДЕНИЕ!

Средний уровень опасности. Данная операция крайне важна для обеспечения надлежащего функционирования системы. Внимательно ознакомьтесь с описанием процедуры и выполните ее в соответствии с приведенными указаниями.



INFO

Описание характеристик системы. Рекомендуем внимательно ознакомиться с содержанием этого раздела, для того чтобы понять следующие этапы.

2 Примечания в отношении авторского права и информация о торговых марках

Названия устройств или компаний, упоминаемые в настоящем документе, являются торговыми марками или зарегистрированными торговыми знаками соответствующих компаний.

3 Правила техники безопасности



ПРЕДУПРЕЖДЕНИЕ! Установка и обслуживание устройства должны осуществляться только специализированным персоналом.



ПРЕДУПРЕЖДЕНИЕ! Система электропитания, к которой подключается устройство, должна иметь автоматический двухполюсный выключатель цепи. Выключатель для узлов, работающих в условиях напряжения сети, должен иметь уровень срабатывания макс. 20А. Выключатель для узлов, работающих в условиях низкого напряжения, должен иметь уровень срабатывания макс. 6А. Этот выключатель выбирается из перечисленных в списке. Минимальное расстояние между контактами автоматического выключателя цепи должно составлять 3мм. Выключатель цепи должен иметь защиту от тока КЗ на землю (дифференциальная защита) и защиту от перегрузки по току (терромагнитная защита).

- Производитель не несет ответственности за любые повреждения, возникающие в результате неправильного использования указанного в настоящем руководстве оборудования. Помимо этого, производитель сохраняет за собой право изменять содержание руководства без предварительного уведомления. Представленная в настоящем руководстве документация прошла тщательную проверку. Однако производитель не несет ответственности за ее использование. Аналогичные условия предусмотрены в отношении любого лица или компании, привлеченных для составления и создания данного руководства.
- Перед тем, как приступить к выполнению любых операций, убедитесь в том, что источник питания устройства отключен.
- Не используйте кабели, которые кажутся изношенными или старыми.
- Никогда и ни при каких обстоятельствах не выполняйте изменений или подключений, не предусмотренных настоящим руководством. Ненадлежащее использование оборудования может привести к возникновению серьезных опасных ситуаций, угрожающих безопасности персонала и системы.
- Используйте только оригинальные запасные части. Неоригинальные запасные части могут привести к возникновению пожара, электрического разряда или другой опасной ситуации.
- Перед монтажом проверьте соответствие поставленных материалов спецификациям заказа, сверив идентификационные ярлыки (4.2 Маркировка изделия, страница 4).

- Это устройство разработано для подключения и установки на здании или подходящей конструкции на постоянной основе. Устройство следует надежно закрепить и подключить перед выполнением каких-либо работ.
- При установке устройства должны соблюдаться национальные правила.
- Категория установки (также называемая категорией перенапряжения) указывает на уровень сетевых скачков напряжения, которым подвержено оборудование. Категория зависит от места размещения оборудования и наличия каких-либо устройств защиты от скачков напряжения. Оборудование, устанавливаемое на промышленном объекте и напрямую подключаемое к магистральным линиям сети питания, относится к категории установки III. В этом случае необходимо снизить категорию перенапряжения до II. Этого можно добиться путем использования изолирующего трансформатора с заземленным экраном между первичной и вторичной обмоткой или путем установки устройств защиты от скачков напряжения (УЗСН), UL listed, на участке между фазой и нулем, а также нулем и землей. Сертифицированные устройства защиты от скачков напряжения должны обеспечивать многократное ограничение скачков напряжения и подходить для работы в следующих номинальных условиях: Тип 2 (УЗСН, постоянно подключенные к сети питания и предназначенные для установки на стороне нагрузки вспомогательного оборудования); номинальный ток разряда (In) мин. 20кА. Например, можно использовать: FERRAZ SHAWMUT, STT2240SPG-CN, STT2BL240SPG-CN с номиналом 120Vac/240Vac, (In=20кА). Максимальное расстояние между устройством и ограничителем перенапряжения составляет 5м.
- Каждое устройство, которое может быть установлено внутри изделия, должно соответствовать действующим нормам безопасности.
- Если подводится установка NEMA TYPE 4X, монтажник должен заменить кабельные муфты изделия кабельными муфтами типа NEMA TYPE 4X.
- Питание устройства обеспечивается только с помощью кабеля PoE. (Питание по кабелю Ethernet).
- Для всех подключений используйте кабели, способные выдерживать температуру минимум 75°C.
- Изделие разработано только для размещения телекамер, сертифицированных образом в соответствии с IEC/UL 60950-1 или IEC/UL 62368-1 (7W max).
- Электрическая система оснащается выключателем питания, который можно легко найти и использовать в случае необходимости.
- Чтобы подключить линию питания, используйте соответствующую распределительную коробку. (UPTJBUL). Дополнительная информация представлена в руководстве по эксплуатации и установке устройства.
- Используйте сертифицированные обжимные соединители для подключения сетевых проводов к клеммам. Обжимные соединители должны соответствовать типу установки (от -20°C а +80°C мин., V-0). Примеры обжимных соединителей: RP, BP о UP (Cembre).

4 Обозначение

4.1 Описание и обозначение типа устройства

В кожухе NOV Hi-PoE IPM оптимально применяются технологии POE и Hi-POE, при этом мощность, поступающая по Ethernet-кабелю, используется как единый источник питания для всех подключенных устройств, что гарантирует максимальную эффективность и универсальность сетевой системы, простоту установки и снижение расходов.

Инновационная система IPM (Интеллектуальное управление питанием) обеспечивает максимально быструю и простую установку с использованием одного соединительного Ethernet-кабеля.

Система Hi-POE IPM автоматически выявляет все опции, например, нагревание, вентилятор и осветитель, и затем автономно выполняет уравновешивание мощности для того, чтобы гарантировать ее соответствующее распределение между подключенными устройствами. Таким образом, обеспечивается оптимальное функционирование IP камеры при температуре от -30°C до +60°C с терморегуляцией и холодным запуском (включение при низких температурах).

Система IPM предоставляет возможность дооснащения аналоговых систем с уже установленными кожухами путем простой замены направляющей и внутренней электроники. Это способствует цифровому преобразованию, сокращению времени монтажа и снижению расходов и уровня воздействия на окружающую среду.

4.2 Маркировка изделия

См. ярлык на изделии.

5 Подготовка устройства к использованию



Любое изменение, которое выполняется без разрешения, явным образом предоставленного производителем, аннулирует гарантию.

5.1 Распаковка

При получении устройства убедитесь, что упаковка не повреждена и не имеет явных признаков падения или царапин.

В случае наличия видимых повреждений незамедлительно свяжитесь с поставщиком.

В случае возврата неисправного устройства мы рекомендуем использовать оригинальную упаковку для транспортировки.

Сохраняйте упаковку на случай, если потребуется отправить устройство на ремонт.

5.2 Комплект оборудования

Проверьте комплект оборудования на соответствие представленному ниже списку материалов:

- Кожух
- Кабели RJ45
- Оснащение для кожуха:
 - Ключ шестигранник
 - Прокладки
 - Уплотнители для кабельных муфт
 - Кабельные муфты (x3)
 - Болты и винты
- Руководство по эксплуатации
- Пакет с влагопоглотителем

5.3 Безопасная утилизация упаковочных материалов

Упаковочные материалы могут подвергаться переработке. Технический специалист установщика отвечает за сортировку материалов для переработки, а также за соблюдение требований законодательства, действующего в месте установки устройства.

5.4 Подготовительные работы перед установкой

5.4.1 Установка кронштейна



Устройство должно крепиться с помощью соответствующих приспособлений. Крепежные элементы должны гарантировать механическую герметичность и выдерживать как минимум четырехкратный вес устройства.

6 Монтаж



Устройство может соединяться с устройствами, не произведенными компанией VIDEOTEC. VIDEOTEC рекомендует провести тестирование перед монтажом. VIDEOTEC не несет ответственности за любые расходы на монтаж или упущенную выручку, возникающие в случае проблем с совместимостью.

6.1 Открывание кожуха

Ослабьте 2 винта сбоку и поверните крышку и верхнюю половину корпуса в направлении открывания петли.



После завершения операций по установке и прокладке кабелей закройте устройство.

6.2 Снятие салазок

Для снятия направляющих необходимо ослабить крепежные винты, как показано на рисунке.

Перемещайте направляющую, двигая ее до тех пор, пока отверстия не совпадут с блокировочными винтами.

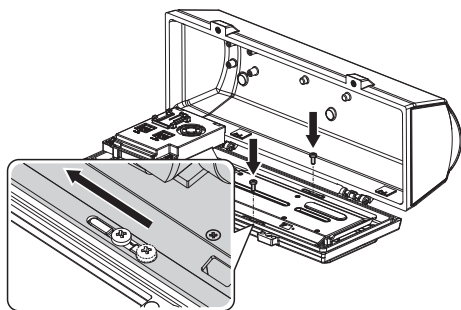


Рис. 1

6.3 Установка кабельных муфт



Вместе с кронштейнами для внутренней прокладки кабелей необходимо использовать набор уплотнительных колец (OWBIP). Небольшое пространство не позволяет использовать кабельные муфты, входящие в комплект поставки. Комплект необходимо приобрести отдельно.

В комплект поставки входят 3 кабельные муфты, которые должны устанавливаться на нижней части кожуха, как показано на рисунке. Неиспользованные кабельные муфты должны быть закрыты заглушкой, чтобы предотвратить проникновение воды в кожух.

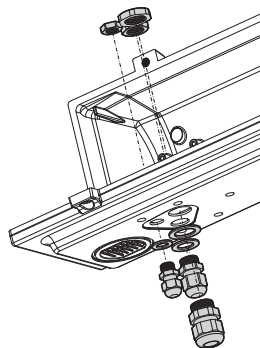


Рис. 2

6.4 Установка осветителя GEKO IRH (дополнительно)



Максимальная мощность осветителя не должна превышать 6W.



Для установки осветителя необходимо использовать кронштейн для осветителя (OSUPPIR). Комплект необходимо приобрести отдельно.

Используйте кабельные муфты или уплотнительное кольцо поменьше, чтобы предотвратить проникновение воды в кожух.

Порядок установки осветителя на кожухе описывается в руководстве по эксплуатации и установке устройства.

Дополнительная информация по конфигурации и использованию представлена в соответствующей главе (6.4.4 Подключение осветителя GEKO IRH (при необходимости), страница 8).

6.4.1 Установка модели с двойным фильтром для воздухообмена

i Во время установки обратите внимание на направление ребер впускного воздушного фильтра.

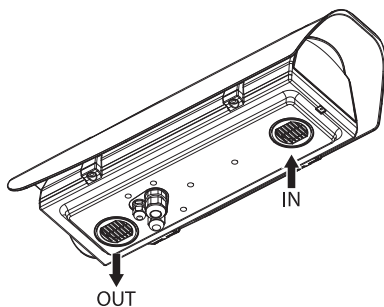


Рис. 3

В зависимости от угла наклона кожуха, ребра фильтра должны располагаться так, чтобы в случае дождя вода не попадала внутрь:

В целях обеспечения соответствующей степени защиты от непогоды установите кожух на кронштейн, соблюдая пределы наклона, указанные на рисунке.

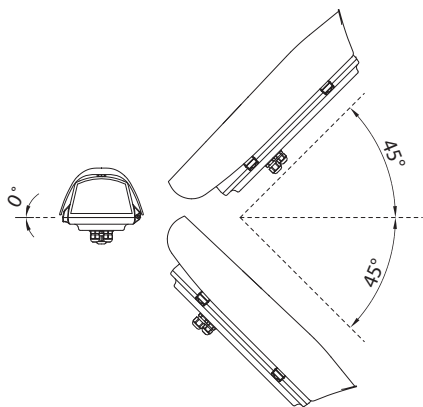


Рис. 4 Максимальный наклон поперечной оси: 0°. Максимальный наклон продольной оси: ±45°.

6.4.2 Установка кабеля Ethernet

Введите кабель Ethernet в уплотнитель и зафиксируйте, как показано на рисунке.

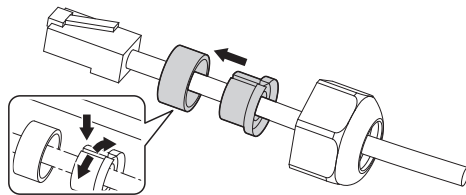


Рис. 5

Установите уплотнитель (01) на кабельную муфту M20 (02). Закрепите кабельную муфту на нижней части кожуха (03) с помощью гайки M20 (04).

! Будьте внимательны при монтаже. Момент затяжки: 7Nm.

Пропустите кабель с разъемом RJ45 (05) через кабельную муфту M20 (02). Завинтите крышку кабельной муфты (06).

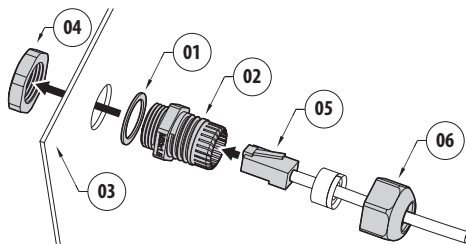


Рис. 6

6.4.3 Установка камеры



Правильная работа оборудования в указанном температурном диапазоне гарантируется только в случае использования камеры и объектива с диапазоном рабочей температуры по меньшей мере от -10°C до +60°C.



Можно устанавливать только камеры типа PoE.

Закрепите камеру с помощью винтов (01) и прокладок (02), предоставленных в комплекте.

Используйте не менее одной прокладки, чтобы обеспечить электрическую изоляцию между направляющей и камерой.

Расположите объектив камеры за стеклом, чтобы избежать визуальных искажений или оптических отражений.

Подключите камеру к разъему J2 (PoE OUT) с помощью кабеля, входящего в комплект поставки (03).

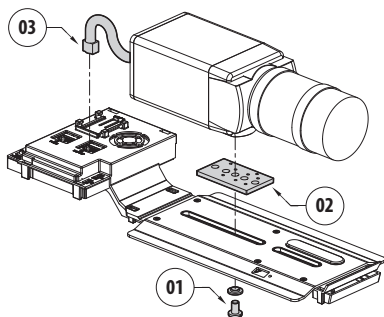


Рис. 7

Снова установите направляющую в гнездо и затяните ранее снятые винты.

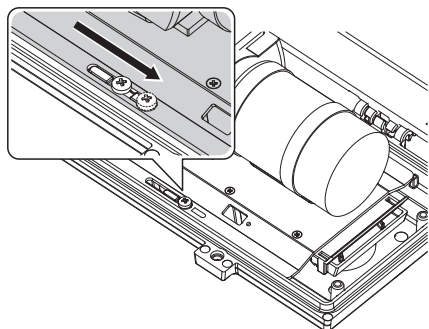


Рис. 8

6.4.4 Подключение осветителя GEKO IRH (при необходимости)

Подключите осветитель к разъему J6, как указано на схеме ниже.

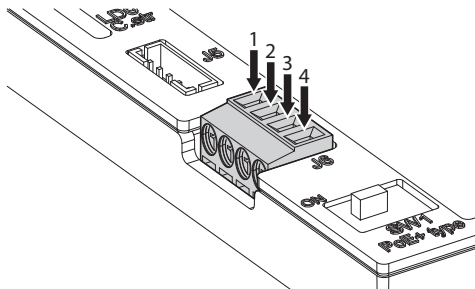


Рис. 9

ПОДКЛЮЧЕНИЕ ОСВЕТИТЕЛЯ GEKO IRH	
Осветитель	Клемма J6
Зеленый (телеметрия)	1
Красный (телеметрия)	2
Белый (источник питания)	3
Черный (источник питания)	4

Табл. 1

Для изменения порога включения осветителя см. руководство по эксплуатации и установке устройства.

6.4.5 Подключение кабеля PoE

Подключите кабель PoE, идущий от инжектора питания к разъему J1.

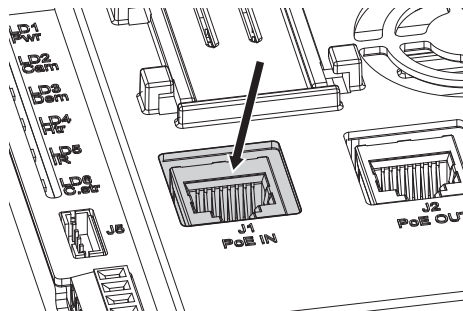


Рис. 10

Перед подачей напряжения на устройство установите максимальную потребляемую мощность с помощью DIP-переключателя SW1 (7 Конфигурация, страница 9).

6.4.6 Подключение системы против обледенения стекла (при необходимости)

Подключите кабель для системы против обледенения стекла к разъему J3.

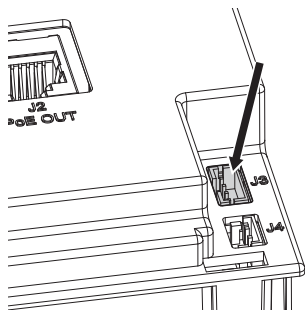


Рис. 11

6.4.7 Подключение вентилятора с двойным фильтром для воздухообмена (при необходимости)

Подключите кабель вентилятора к разъему J4.

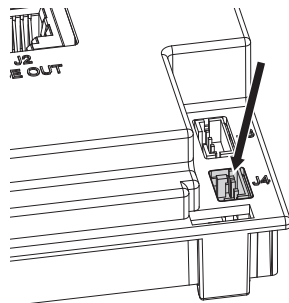


Рис. 12

7 Конфигурация

Перед подачей напряжения на устройство установите максимальную потребляемую мощность с помощью DIP-переключателя SW1.

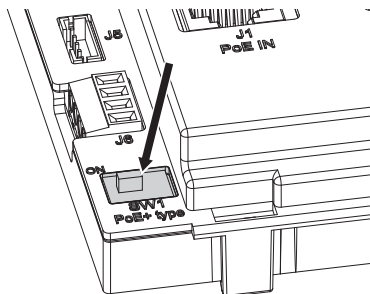


Рис. 13

КОНФИГУРАЦИЯ ПОТРЕБЛЕНИЯ МОЩНОСТИ	
SW1	Максимальная мощность
OFF	PoE класса 3 (макс. 13W)
ON	Hi-PoE класса 4 (макс. 25W)

Табл. 2

В зависимости от потребляемой мощности система может обеспечивать параметры, представленные в таблице (Табл. 3, страница 10).

NOV HI-POE IPM ДОСТУПНЫЕ МОДЕЛИ И ХАРАКТЕРИСТИКИ							
Рабочая температура	Инжектор	Камера	Система предотвращения запотевания	Осветитель	Нагреватель	Обогреваемое стекло с защитой от обледенения	Вентилятор с двойным воздушным фильтром
От -10°C до +60°C	PoE класса 3 (13W)	PoE макс. класса 2 (7W)	√	-	-	-	√
	Hi-PoE класса 4 (25W)	PoE макс. класса 3 (13W)	√	√	-	-	√
От -10°C до +60°C	PoE класса 3 (13W)	PoE макс. класса 2 (7W)	√	-	-	-	-
	Hi-PoE класса 4 (25W)	PoE макс. класса 3 (13W)	√	√	-	-	-
От -30°C до +60°C	Hi-PoE класса 4 (25W)	PoE макс. класса 3 (13W)	√	-	√	-	-
	Hi-PoE класса 4 (25W)	PoE макс. класса 3 (13W)	√	-	√	√	-

Табл. 3

8 Включение

i Процесс автоматического предварительного подогрева (De-Ice) активируется при каждом включении устройства, если температура окружающей среды ниже 0°C. Данный процесс служит для обеспечения правильного функционирования устройства даже при низких температурах. Продолжительность процесса зависит от условий окружающей среды (от 60 минут до 120 минут).

На этапе включения устройство считывает состояние DIP-переключателя и автоматически обнаруживает все дополнительные функции для надлежащего управления энергопотреблением кожуха.

Светодиодные индикаторы, показанные на рисунке, позволяют в любой момент проверить рабочее состояние устройства.

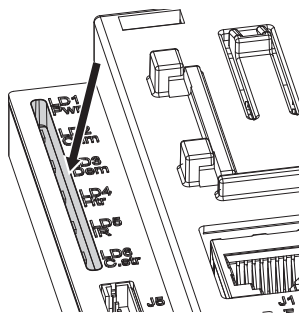


Рис. 14

Воспользуйтесь таблицей, чтобы определить рабочее состояние оборудования.

9 Техническое обслуживание и очистка

9.1 Техническое обслуживание

9.1.1 Комплект для модернизации оборудования

i Комплект не может быть установлен в моделях кожанов, оснащенных стеклоочистителем.

Снимите салазки (01), электронную плату (02) и нагреватель (03).

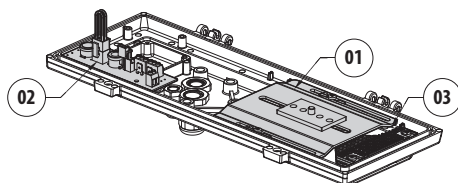


Рис. 15

Информация по установке комплекта представлена в главе 6 Монтаж, страница 6.

9.2 Очистка

9.2.1 Чистка окна и пластмассовых деталей

! Не используйте этиловый спирт, растворители, галогенированные углеводороды, сильные кислоты и щелочи. Подобные вещества могут необратимо повредить поверхность устройства.

Мы рекомендуем использовать мягкую ткань с нейтральным мылом, разведенным в воде, или специальные вещества для очистки стеклянных объектов.

РАБОЧЕЕ СОСТОЯНИЕ		
Светодиодные индикаторы	Состояние СИД-индикаторов	Состояние устройства
LD1 (Источник питания)	Off (Выкл.)	На устройство не подается питание
	Op (Вкл.)	Питание на устройство подается надлежащим образом
LD2 (Камера)	Off (Выкл.)	Камера не подключена, или включена функция холодного запуска (Cold Start)
	Op (Вкл.)	Питание на телекамеру подается надлежащим образом
	1 мигание	Телекамера имеет низкую идентификационную резистентность
	2 мигания	Телекамера имеет высокую идентификационную резистентность
	5 миганий	Телекамера потребляет слишком много энергии
	9 миганий	Подаваемой мощности недостаточно для камеры
LD3 (Предотвращение запотевания)	Off (Выкл.)	Функция предотвращения запотевания не была обнаружена надлежащим образом
	1 мигание	Стандартная функция предотвращения запотевания не включена
	2 мигания	Система защиты от обледенения (дополнительно) не включена
	Op (Вкл.)	Система предотвращения запотевания или система защиты от обледенения функционирует
LD4 (Нагреватель)	Off (Выкл.)	Нагревание недоступно, или имеющейся мощности недостаточно
	1 мигание	Нагревание отключено
	Op (Вкл.)	Нагревание включено
LD5 (Осветитель)	Off (Выкл.)	Осветитель (дополнительно) не обнаружен, или имеющейся мощности недостаточно
	1 мигание	Осветитель получает питание надлежащим образом (управление включением осветителя осуществляется с помощью его фотоэлемента)
LD6 (Включение с задержкой)	Off (Выкл.)	Нагреватель отсутствует
	1 мигание	Процедура предварительного подогрева отключена
	Op (Вкл.)	Процедура предварительного подогрева включена

Табл. 4

10 Информация об утилизации и переработке

Европейская директива 2012/19/ЕС Об Отходах Электрического и Электронного оборудования (RAEE) предписывает, что данные устройства не следует утилизировать вместе с твердыми бытовыми отходами; их сбор осуществляется отдельно для оптимизации потока их утилизации и переработки содержащихся в них материалов, а также снижения воздействия на здоровье людей и окружающую среду в связи с присутствием потенциально опасных веществ.



Значок с изображением зачеркнутого мусорного контейнера присутствует на всей продукции для напоминания об указанном требовании.

Отходы могут доставляться в соответствующие центры по сбору отходов или бесплатно передаваться дистрибьютору, у которого было куплено оборудование, в момент покупки новой аналогичной продукции или без обязательства совершить новую покупку в случае оборудования, чей размер не превышает 25см.

Для получения более подробной информации о надлежащей утилизации данных устройств вы можете обратиться в уполномоченную государственную организацию.

11 Технические характеристики

11.1 Общие сведения

Модель без дополнительного оборудования

Солнечный козырек из ABS пластика

Эпоксиполиэстеровое порошковое покрытие, Цвет RAL9002

Наружные винты из нержавеющей стали

11.2 Механические хар.

Пространство внутри корпуса (ШхВхД): 100х70х250mm

Кабельные муфты: 1хM12, 1хM16, 1хM20

Стеклопанель дополнительная прозрачная

- Размеры (ШхВ): 118х75mm

Вес устройства: 3.1kg

11.3 Электрические хар.

Потребляемая мощность на входе: PoE класса 3 (13W) или Hi-PoE класса 4 (25W), выбирается с помощью DIP-переключателя

Располагаемая мощность для камеры (Вход PoE класса 3): PoE класса 2 (7W)

Располагаемая мощность для камеры (Вход Hi-PoE класса 4): PoE класса 3 (13W) с функцией "холодного запуска" при Top -10°C ±2°C

Линия передачи данных: 10/100Base-T

Осветитель GEKO IRH малой мощности: 6W

Нагреватель: 8W, с электронным управлением, Top 20°C±2°C, Toff 23°C±2°C

Вентилятор с термостатом охлаждения телекамеры для моделей с двойным воздушным фильтром: Top 35°C±2°C, Toff 32°C±2°C

Предотвращение запыления с помощью нагнетания горячего воздуха: 5W

Обогреваемое стекло с защитой от обледенения: 5W, Top 30°C±2°C, Toff 33°C±2°C

Совместимость с IEEE 802.3af, IEEE 802.3at/PoE Plus

Совместимость с инжектором питания (ОНЕPOWINJ): дополнительные комплектующие VIDEOTEC

11.4 Окружающая среда

Для установки внутри помещений и наружной установки

Рабочая температура: От -10°C до +60°C

Рабочая температура (с нагревателем): От -30°C до +60°C

11.5 Сертификаты

Электробезопасность (CE): EN60950-1, IEC60950-1

Электромагнитная совместимость (CE): EN50130-4, EN61000-6-3, EN55022 Класс B, FCC Part. 15 Class B

Наружная установка (CE): EN60950-22, IEC 60950-22

Степень защиты IP (EN60529):

- IP66/IP67 (Настенный кронштейн для поворотных устройств)
- IP66/IP67 (с уплотнительными кольцами и внутренним кабельным каналом)
- IP55 (с кронштейном с внутренним кабельным каналом)
- IP44 (для моделей с двойным фильтром для вентиляции)

Степень защиты IK (EN62262): IK10 (за исключением переднего стекла)

Защита от солевого тумана: ISO9227, до 1000 часов

Сертификат UL: cULus Listed, TYPE 4X (кроме модели с двойным фильтром для воздухообмена, NOV32K2A716)

Сертификат EAC

12 Технические чертежи

i Размеры указаны в миллиметрах.

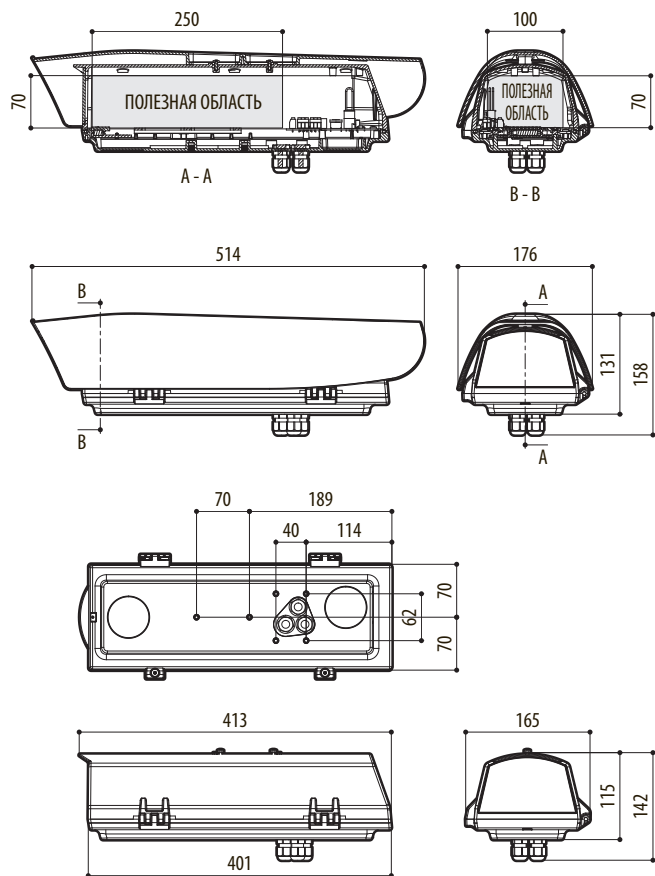


Рис. 16 HOV HiPoE IPM.

Headquarters Italy Videotec S.p.A.
Via Friuli, 6 - I-36015 Schio (VI) - Italy
Tel. +39 0445 697411 - Fax +39 0445 697414
Email: info@videotec.com

Asia Pacific Videotec (HK) Ltd
Flat 8, 19/F. On Dak Industrial Building, No. 2-6 Wah Sing Street
Kwai Chung, New Territories - Hong Kong
Tel. +852 2333 0601 - Fax +852 2311 0026
Email: info.hk@videotec.com

France Videotec France SARL
Immeuble Le Montreal, 19bis Avenue du Québec, ZA de Courtaboeuf
91140 Villebon sur Yvette - France
Tel. +33 1 60491816 - Fax +33 1 69284736
Email: info.fr@videotec.com

Americas Videotec Security, Inc.
Gateway Industrial Park, 35 Gateway Drive, Suite 100
Plattsburgh, NY 12901 - U.S.A.
Tel. +1 518 825 0020 - Fax +1 518 825 0022
Email: info.usa@videotec.com



www.videotec.com

MNVCHOVHPOE_2024_RU

Headquarters Italy Videotec S.p.A.
Via Friuli, 6 - I-36015 Schio (VI) - Italy
Tel. +39 0445 697411 - Fax +39 0445 697414
Email: info@videotec.com

Asia Pacific Videotec (HK) Ltd
Flat 8, 19/F. On Dak Industrial Building, No. 2-6 Wah Sing Street
Kwai Chung, New Territories - Hong Kong
Tel. +852 2333 0601 - Fax +852 2311 0026
Email: info.hk@videotec.com

France Videotec France SARL
Immeuble Le Montreal, 19bis Avenue du Québec, ZA de Courtaboeuf
91140 Villebon sur Yvette - France
Tel. +33 1 60491816 - Fax +33 1 69284736
Email: info.fr@videotec.com

Americas Videotec Security, Inc.
Gateway Industrial Park, 35 Gateway Drive, Suite 100
Plattsburgh, NY 12901 - U.S.A.
Tel. +1 518 825 0020 - Fax +1 518 825 0022
Email: info.usa@videotec.com



www.videotec.com

MNVCHOVHPOE_2024