

IP-LINK Solutions SC-IPC0801

IP Signals Transmission System
via Coaxial Cable



IP-LINK Solutions SC-IPC0801

- The IP-Link solutions has been developed by Samsung CCTV Service Co., Ltd to facilitate the installation of IP cameras without removing the existing coaxial cables.
- Using our IP-Link Solutions with PSU, you can transmit IP signals via coaxial cable to longer distance than via twisted pair cable, which can transmit only under 100m. Also, you can supply power to the transmitter as well as to the camera.

FEATURES

- Transmitting digital data up to 1km (with RG-6)
- Supplying power for IP Camera (8W/DC)
- Transmission bandwidth
 - Max. PHY Rate: 200 Mbps
 - UDP Rate: 90 Mbps
 - TCP Rate: 75 Mbps
- Able to connect into 1 Rx. up to 3 Tx.

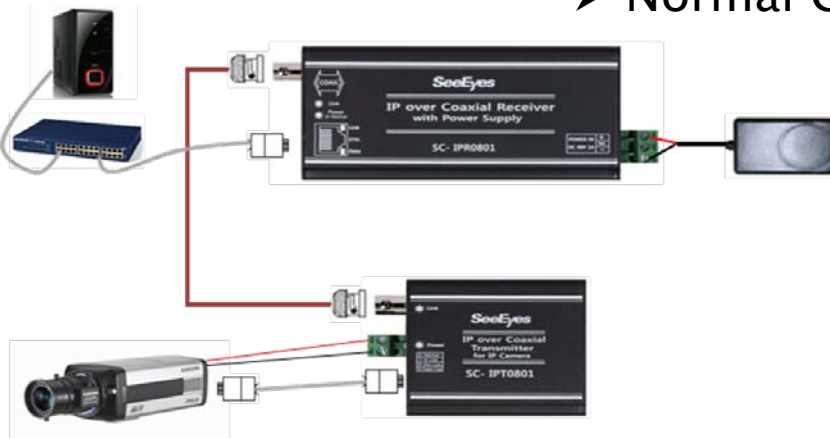


IP-LINK Solutions

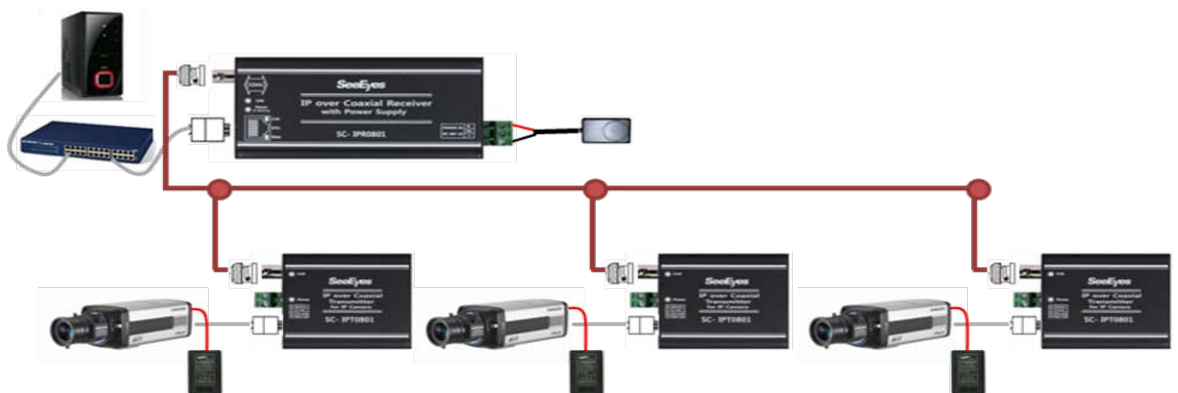
SC-IPC0801

CONNECTION DIAGRAM

➤ Normal Connection



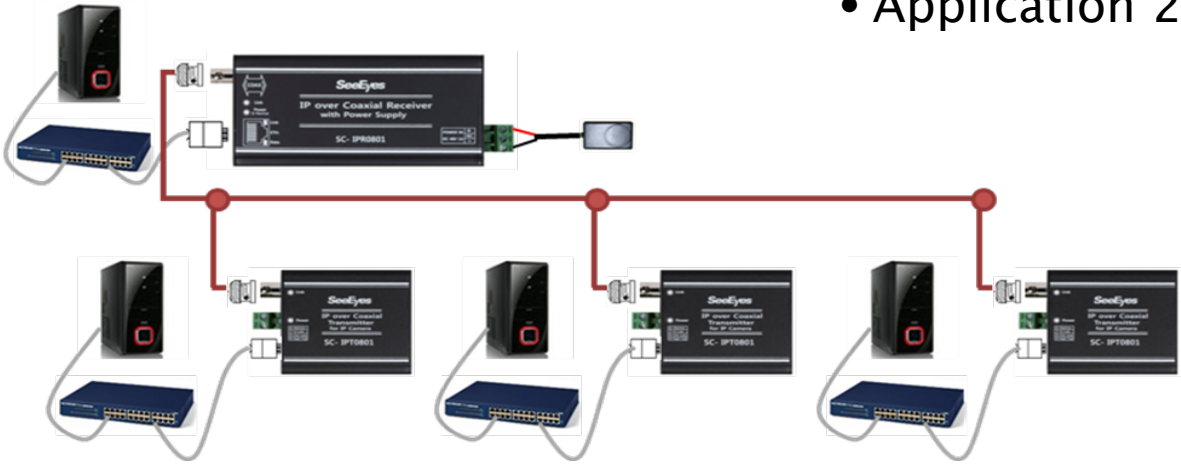
➤ Lineal Connection
•Application 1



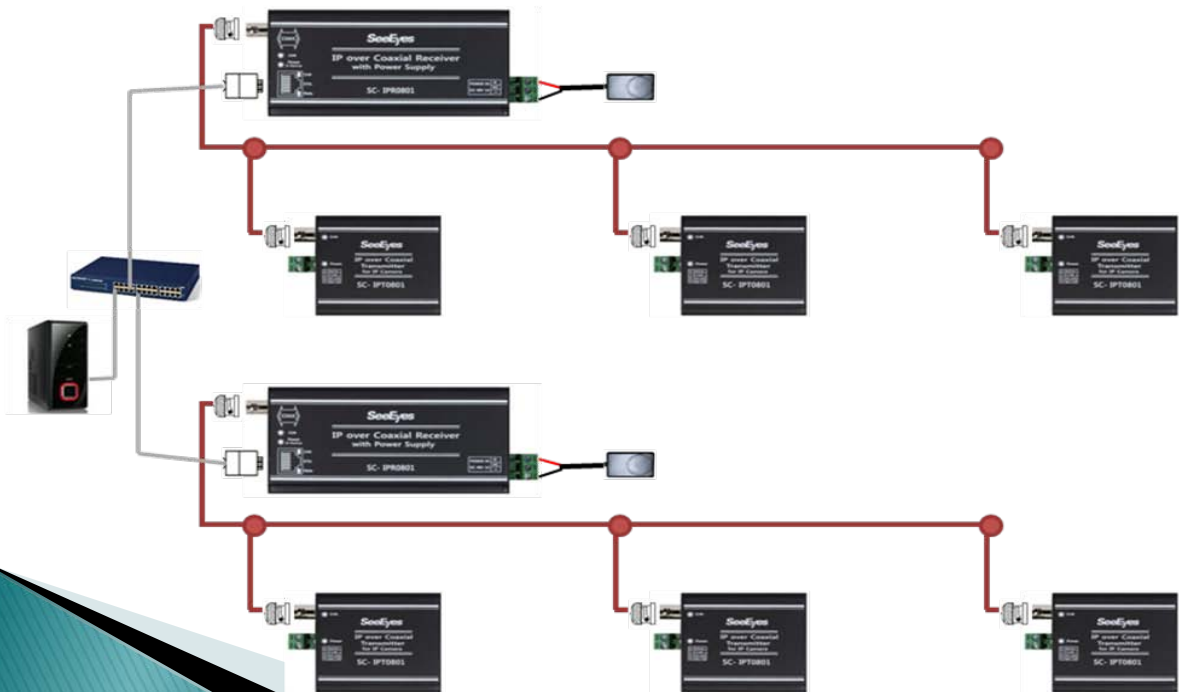
IP-LINK Solutions SC-IPC0801

CONNECTION DIAGRAM

• Application 2



• Application 3



IP-LINK Solutions

SC-IPC0801

SPECIFICATIONS

MODEL		SC-IPT0801 (Tx.)
Data Transmission Bandwidth (MAX.)		PHY (Physical Layer Speed) 200 Mbps
		UDP 90 Mbps
		TCP 75 Mbps
Power	OUT	DC 12V 0.7A (8W)
	Check	Green: Normal Yellow or Red: Voltage drop Red-Flash: Fail
Connect Port	COAX	BNC-F
	Ethernet	RJ-45 with 2 LEDs (Yellow: Link, Green: Data) 10/100 Mbps Ethernet Port with Auto MDI/MDIX
	Power OUT	2 PIN T. Block
Temperature / Humidity		-10°C~+40°C / 0~80%
Case body / Weight		Aluminum/ 140g
Dimension (mm)		60 (W) x 60 (H) x 38 (D)

MODEL		SC- IPR0801 (Rx.)
Data Transmission Bandwidth (MAX.)		PHY (Physical Layer Speed) 200 Mbps
		UDP 90 Mbps
		TCP 75 Mbps
Power	IN	DC 48V 1.04A
	Check	Green: Normal Red-Flash: Fail
	Distance	1km (Loop R 3.3Ω / 100m)
Connect Port	COAX	BNC-F
	Ethernet	RJ-45 with 2 LEDs (Yellow: Link, Green: Data) 10/100 Mbps Ethernet Port with Auto MDI/MDIX
	Power IN	3 PIN T. Block
Temperature / Humidity		-10°C~+40°C / 0~80%
Case body / Weight		Aluminum/ 160g
Dimension (mm)		123 (W) x 60 (H) x 25 (D)