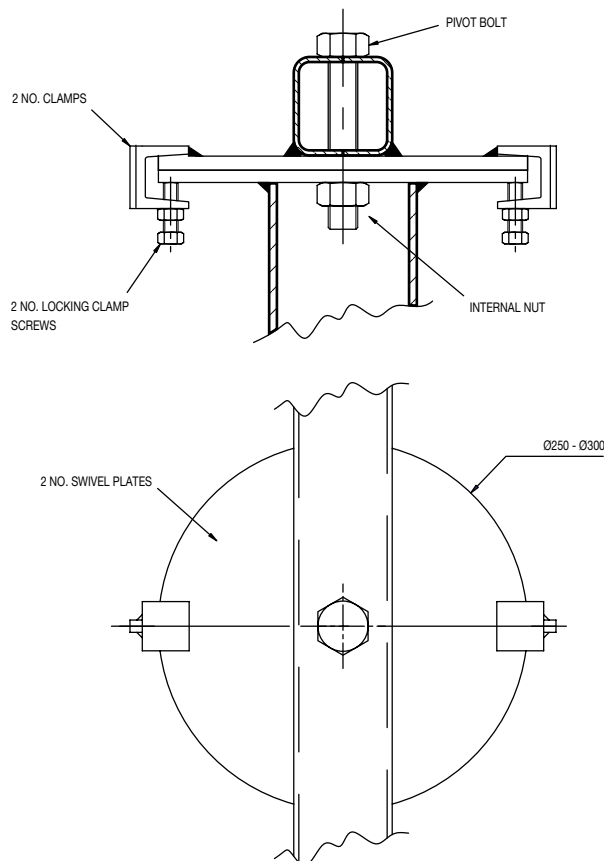


All brackets for camera mounting have a 127Ø mounting plate with 8 no Ø8.5 equi - spaced on 101.6 PCD

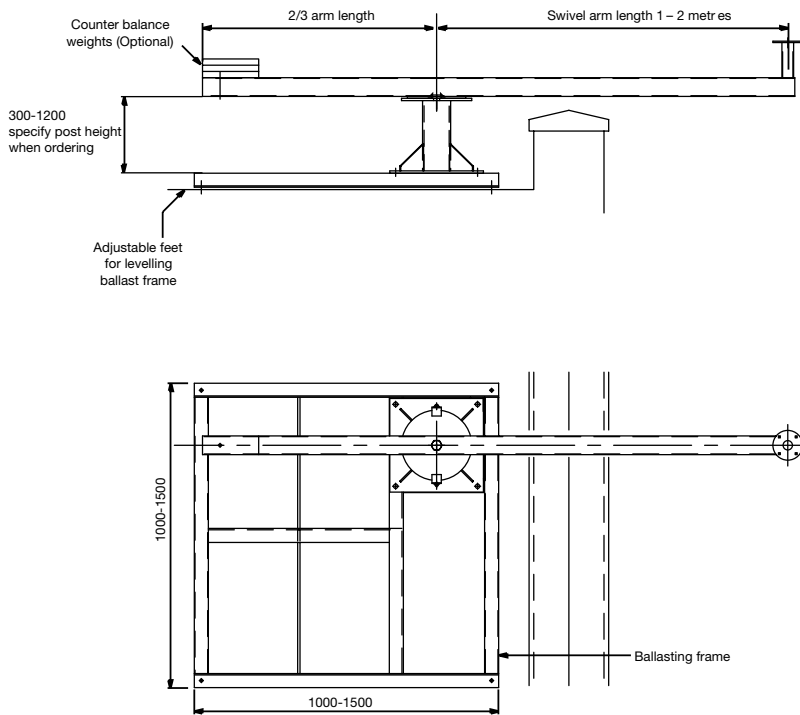
Altron roof mounting bracket range has been tried, tested and developed over the past 10 years to be simple in design and to install.

Versatility means that all options shown in this section can be easily modified to meet specific site requirements

Swivel plate assembly detail common to all Altron swivel arm brackets



Roof mounted swivel arm bracket SBI-RM



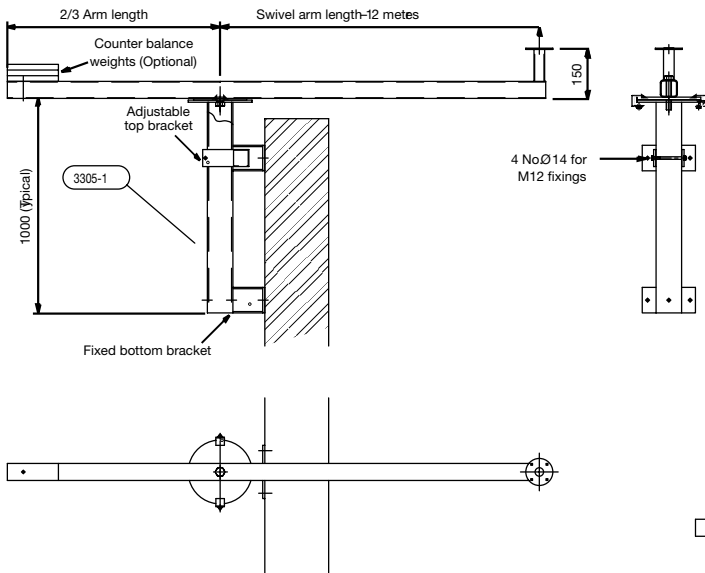
Max. load capacity 35kgs

Part No. for roof mounted swivel arm brackets includes arm length, e.g. 1.5 metres arm – SB1 – 15000RM.

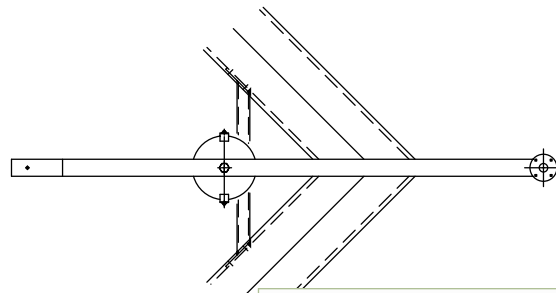
Also available with bolt together frame (suffix BD) for access onto restricted roof areas.

Typical ballast amount 200 – 250kgs depending on arm length post height and location in the U.K.

Parapet mounted swivel arm bracket SBI-PM



Corner option SBI-PMC



Max. load capacity 35kgs

Part No. for parapet mounted swivel arm brackets includes arm length, e.g. 1000mm arm SB1 – 1000PM.

For corner mount version SB1 – 1000PMC.

Also available with integral cableway (suffix IC) so that all cabling is concealed within bracketry.