

## GCA-B2323T

1/3" Outdoor Varifocal Camera with IR LED



**GRUNDIG**

- A1 Digital Signal Processor by Samsung Electronics with Motion Adaptive Digital Noise Reduction (DNR), Extended Dynamic Range (XDR), On Screen Menu (OSD), Digital Image Stabilisation (DIS), Picture in Picture (PiP), H/V Reverse and Privacy Zones
- Concealed Cable Management
- CCVC (Camera Control Via Coaxial Cable)
- Intelligent Video Content Analysis with Motion Tracking
- Built-in Service Monitor Port & OSD Control Port
- Varifocal Lens: f = 2.8 - 11 mm, auto iris
- 0 Lux: Integrated LED IR Illuminator
- Power Input AC24V/DC12V

### Specifications

### GCA-B2323T

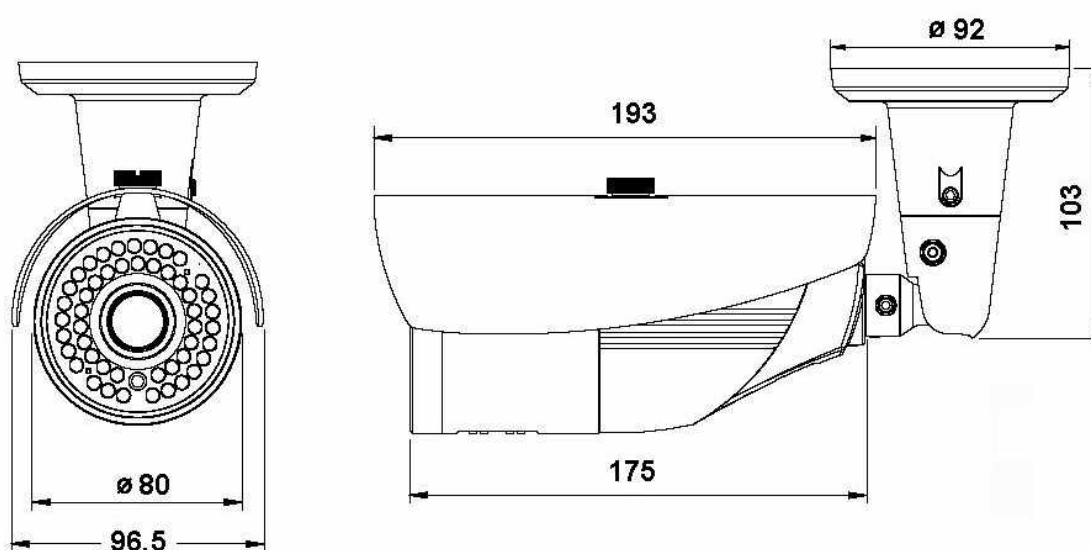
Image Sensor:	1/3" CCD (Sony Super HAD IT)
A1 Digital Signal Processor:	Motion Adaptive Digital Noise Reduction (DNR), Extended Dynamic Range (XDR), On Screen Menu (OSD), Digital Image Stabilisation (DIS), Profile and Privacy Zones
Scanning System:	PAL, 50Hz, 625 TVL(V), 2:1 Inter Line Transfer
Image Size:	Pixel Total: 795 x 596, Pixel Effective: 752 x 582
Resolution:	600(H) lines colour, 640 (H) lines b&w
Col/B&W:	On/Off/Auto/Ext, IR-cut filter removable (ICR)
Sensitivity Colour:	0.4 Lux(50IRE) 0.0005 Lux (15IRE,Sense x256)
Sensitivity B&W:	0 Lux LED IR on
S/N Ratio:	52 dB
Lens Drive Type:	Auto iris, DC
Lens Focal Length:	2.8 ~ 11 mm
Adjustment zoom and focus:	Internal
Sens Up:	Off ~ x256, auto
Motion Detection:	On/Off/Area Setting
Number of Privacy Zones:	8 (polygonal method)
eXtended Dynamic Range (XDR):	Off/Low/Mid/High

Design and specifications are subject to change without notice

High Speed Shutter:	1/50 ~ 1/10.000 sec, auto
AGC:	Off/On (Very LOW/LOW/Mid/High/Very High/User/Fix)
BLC:	On/Off/Area/Level
Digital Noise Reduction (DNR):	Off / On (Low/Middle/High/User)
Digital Image Stabilization (DIS):	Off/On
Digital Zoom:	Off/1 ~ 10x
Reverse:	Off/ H-REV/ V-REV/ HV-REV/ POSITIV/ NEGATIV
PIP:	On/Off
Additional Features:	Digital Zoom, PIP, H/V Reverse, Positive/Negative inversion
Intelligent Video Analytics:	Tracking/Detection
OSD:	Yes, E/F/D/S/I
Camera ID:	54 character, 2 lines
White Balance:	ATW-1/ATW-2/AWC/Manual
IR LED:	36 pcs.
Optical Wavelength:	830 nm
Max. IR Distance:	30/45 m (according to scene reflexion)
Protection Rating:	IP66
Video Outputs:	1 CVBS 1 Vpp (BNC) & 1 test monitor out
Accessories included:	Cable for service monitor with service remote control
Humidity:	less than 90%
Operating Temperature:	-10°C ~ +50°C
Supply Voltage:	12 VDC/24 VAC
Power Consumption:	7.5 W
Weight:	1.14 kg
Dimensions (wxhxd):	Ø 80 x 178 mm

## Dimensions

GCA-B2323T



Design and specifications are subject to change without notice