

- 1 Megapixel HD 720P, Colour Fixed Dome Camera (1280 x 720)
- 3 Way Axis Gimbal, wall mountable
- Vandal Resistant Dome (IK10)
- Weatherproof Indoor Installation (IP66)
- H.264 & MJPEG compression modes (max. 25 fps)
- ONVIF protocol support
- Micro SD/SDHC memory card slot for alarm and schedule image recording
- Bidirectional Audio Support
- Power Input AC24V/DC12V and PoE



GRUNDIG

Specifications

GCI-H0522V

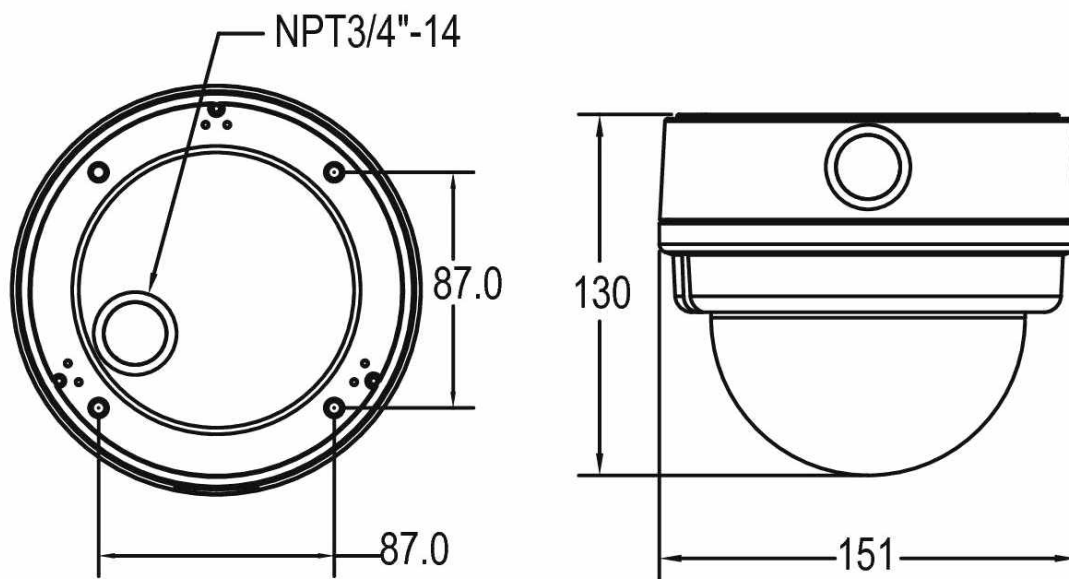
Image Sensor:	1/2.5" CMOS Aptina, 2 megapixel
Pixels - total:	1920(H) x 1080(V), Full HD
Sensitivity:	0.2 lux @ F1.4
Lens Drive Type:	DC auto iris, manual iris
Lens Focal Length:	3.3 ~ 12 mm
Viewing Angle:	71° ~ 21°
Motion Detection:	On/Off
Camera ID:	20 character
White Balance:	ATW, AWB, Manual
Shutter Speed:	1 sec to 1/10,000 sec
Alarm Inputs:	1
Alarm Outputs:	1
Web Browser:	MS Internet Explorer 6.0 (or higher)
Number of Clients:	Up to 20 users
Video Compression:	Dual stream: H.264+H.264, H.264+MJPEG
Video Resolution:	Full HD 1920 x 1080 (12 fps), 720P 1280 X 720 (25 fps)
Network Protocol:	TCP/IP, UDP, RTP, RTSP, HTTP, ICMP, FTP, SMTP, DHCP, PPPoE, UPnP and IGMP
SD memory:	Micro SD/SDHC
Alarm Event:	Alarm Input, Motion Detection or Schedule: Image transfer FTP, E-mail, recording on SD-card
Audio Compression:	G.726 ADPCM, AAC
LED Indicator:	Power, link, act
Video Outputs:	1 CVBS, 1Vpp, BNC
Firmware Upgrade:	Firmware upgrade by Web Browser

Design and specifications are subject to change without notice

Configuration:	Upload & Download configuration on remote PC
Input/Output sockets:	Video Out(BNC), Power(3-Pin Term), RJ-45, Micro SD Card Slot, Alarm Terminal 4-Pin (Alarm In 2-Pin, Alarm Out 2-Pin), Audio (2 mini Jack 3.5mm)
Operating Temperature:	-10°C ~ +50°C
Humidity:	10 ~ 90% no condensation
Regulation:	CE, FCC, RoHS Compliant
Supply Voltage:	12 VDC / 24 VAC / PoE IEEE 802.3af
Power Consumption:	5 W
Weight:	0.8 kg
Dimensions (wxhxd):	Ø 151 x 130 mm

Dimensions

GCI-H0522V



Design and specifications are subject to change without notice