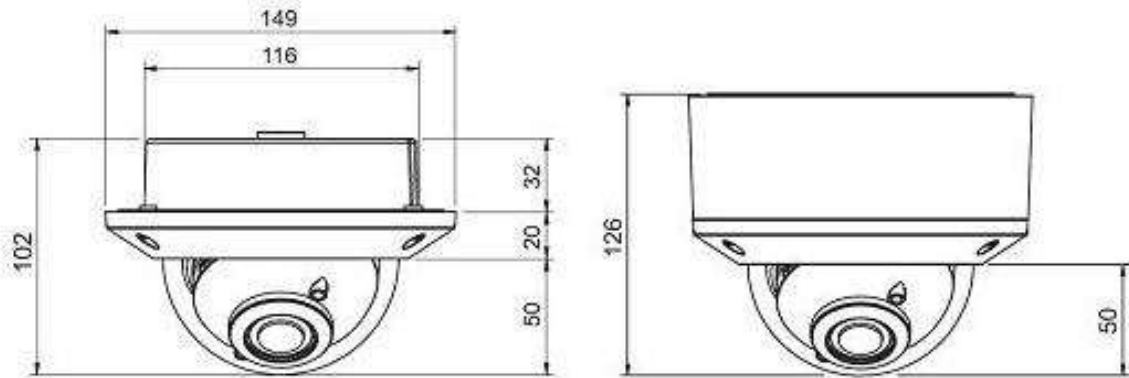


- 1/3" CMOS Pixim SEAWOLF Sensor
- 3 Axis Gimbal, 3 ways to mount: Wall/Ceiling Flat, Wall/Ceiling Angle and Flush
- 690 (colour) 800 (b&w) TV Lines Horizontal Resolution
- WDR function, Colour/B&W function with removable IR cut filter
- Digital Noise Reduction
- On- screen- menus
- TAMRON Varifocal Lens: f = 2.8 - 10.5 mm, auto iris
- Weatherproof Outdoor Installation (IP66)
- Power Input AC24V/DC12V


GRUNDIG
Specifications
GCA-B0324V

Image Sensor:	1/3" CMOS DSP SEAWOLF Chipset (PIXIM)
Pixels - Effective:	758 x 540
Resolution:	690 (H) lines colour, 800 (H) lines b&w
Col/B&W:	On/Off/Auto, IR-cut filter removable (ICR)
Sensitivity:	0.1 lux (Colour) / 0.01 lux (B&W)
S/N Ratio:	52 dB
Lens Focal Length:	2.8 ~ 10.5 mm (TAMRON)
Lens Drive Type:	DC auto iris, manual iris
Viewing Angle:	94°~25°
Shutter Speed:	1/25 sec to 1/30,720 sec
AGC:	Off, Low, High (3 steps)
BLC:	On/Off + WDR (auto, low, high, custom)
Digital Noise Reduction (DNR):	On/Off
OSD:	Yes, E/F/D/S/I
Wide Dynamic Range:	Typical: 102dB, Max: 120dB
White Balance:	ATW, AWB, Manual
Humidity:	less than 90%
Protection Rating:	IP66
Video Outputs:	1 CVBS, 1Vpp, BNC
Accessories included:	Cable for service monitor with service remote control
Operating Temperature:	-10°C ~ +50°C
Supply Voltage:	12 VDC/24 VAC
Power Consumption:	5.8 W
Weight:	1.12 kg
Dimensions (wxhxd):	Ø 152 x 126 mm

Design and specifications are subject to change without notice



Design and specifications are subject to change without notice