

Multi Functional CCTV Tester



SPECIFICATIONS

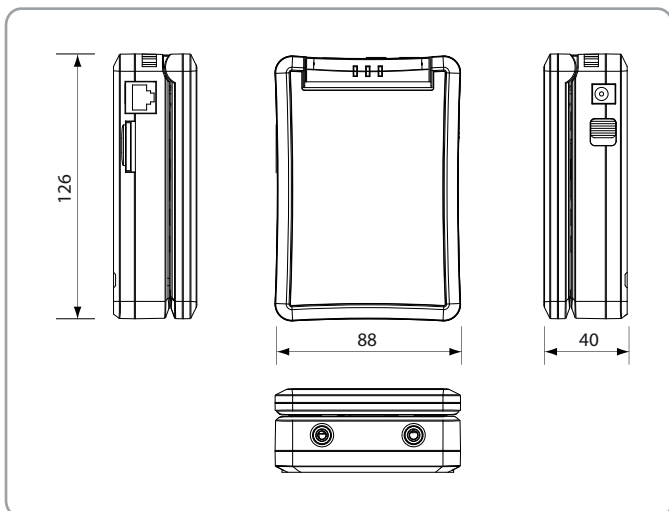
MODEL	Rapoport III / Rapoport III-PRO	
Electronic Characteristics	Input Voltage	12V ±10%, above 1.2A
	Battery	Lithium Polymer Battery (Inner Packaging)
	Built-in Charger	Charging time: More than 6 hrs Operating time: More than 6 hrs(Max.8hrs)
Image	Signal System	NTSC / PAL
	Video Level	1.0Vp-p, 140 IRE
PTZ Operation Test	Protocol	Multiple
	Transmission Speed	2400 ~ 115.2kbps
	Transmission Mode	RS-422 / RS-485
UTP Cable Tester	Tests	Continuity / Crossed Cable, and Breaks or Short Circuits
Multimeter	AC Voltage	Max. 300V
	DC Voltage	Max. 300V
	Resistance	Max. 40MΩ
	Conitunity	Beeper is activated when the resistance is below 20
Dimension	88(W) x 126(H) x 40(D) mm	

FEATURES

- Color CCTV Field Monitor
- Video Singal Generator
- PTZ Protocol Analyzer
- Dlgital Multi Meter
Test & Measure Voltage, Resistance and Continuity
- UTP Cable Tester
Test for Direct & Cross cable, continuity, discontinuity and Short on UTP cable
- Video Recorder
- PTZ Controller
Control for PTZ cameras (Pan, Tilt, Zoom and menu Setup).
And also analyzing control protocol if camera control by external device.
- DVR Mode (Rapoport III-PRO only)
MPEG4 Digital Video Recorder allows users to store video inputs on a SD card for future playback (Max. 10mins / 8files)

DIMENSIONS

Unit : mm



DETAILS



Design and specifications are subject to change without notice



Multi Functional CCTV Tester

FUNCTIONS



CCTV Field Monitor

The Rapport III features color CCTV field monitor.
It built-in 3.5 inch color Digital Type TFT-LCD monitor, supports both PAL & NTSC video signal format. Display video signal level (IRE) is helpful to check the video quality, Brightness & Contrast control.



Video signal generator

The Rapport III features Video signal generator.
It outputs Color bar, Red, Blue and Green screen to allow technician to inspect video monitor or DVR. Support both PAL & NTSC video signal format.



Multimeter

Rapport III features Digital multimeter.
It combines the most basic instrument include a voltmeter, ohmmeter and continuity tester.



PTZ Controller

The Rapport III features full function of CCTV PTZ Controller.
It controls & programs variety of Speed & Slow Dome cameras. This will allow CCTV installer to test or program PTZ cameras at the actual camera job site. It has multi protocol and programmable baud rate.



PTZ Protocol Analyzer

The Rapport III features PTZ Protocol Analyzer.
It determines which protocol to control you PTZ cameras from PTZ Controller or DVR. This will guide CCTV installer to understand the protocol and find the fault device easily.



UTP Cable tester

Rapport III features UTP Cable Tester.
It specified to quickly test a wire's continuity, miswiring and polarization in your network by using an attached remote terminator so you can easily test the cable whether before or after the cable is installed.



Digital Video Recorder (Rapport III-PRO)

Rapport III features portable DVR function.
The Rapport III-PRO has a built-in MPEG4 Digital Video Recorder. It allows users to store video inputs on a SD card for future playback. This ensures proper CCTV installations.

DISCONTINUED PRODUCTS

Rapport 337



Rapport II / Rapport II-PRO



Design and specifications are subject to change without notice