

# GML-1930M

## 48 cm (19") LCD/TFT Monitor LED Backlight



- Displays a full, flat 19" (48cm) diagonal image
- LED Backpanel illumination
- Energy-saving (green technology)
- 2 CVBS looped, 1 HDMI, VGA video inputs
- Scratch protection glass with anti-reflection coating

### SUMMARY

---

The GML-1730M (17") and GML-1930M (19") contain LED backlight technology as opposed to traditional cold cathode fluorescent lamp (CCFL) backlighting. LED backlight technology has been shown to double the MTBF (Mean Time Before Failure) of flat screens from 50,000 hours to a massive 100,000 hours. The LED backlighting also offers significant energy savings, with a 35% drop in power consumption from between 20W and 30W to a mere 15W. The monitor images are also more natural-looking and accurate, due to higher contrast levels and a darker black level.

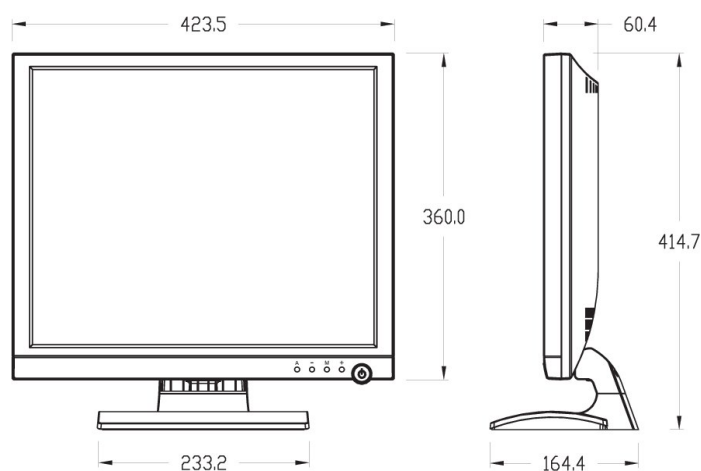
Advanced image enhancement technology in each model includes a 3D comb filter and decoder, which reduce ghost imaging. There is also built-in de-interlacing, noise reduction and PIP (picture-in-picture) and PBP (picture-by-picture) operation.

Grundig's LED flat-screens are very robust. The front panels are made from scratch-resistant glass and are coated in an anti-reflection coating to reduce room reflections. The monitors fit to standard VESA bracket sizes with HDMI, VGA, Audio, 2x BNC IN and 2x BNC loop video connections and remote control.

## SPECIFICATIONS

LCD Panel size	19" Diagonal AM-TFT LED Backlight
Pixels - Total	1280(H) x 1024(V)
Pixel Pitch	0.294 mm(H) x 0.294 mm(V)
Resolution	1280 x 1024 pixel, 650(H) TV Lines
Video Standard	PAL/NTSC
Video Inputs	2 CH Composite, BNC, Looped 1 HDMI, 1 CH VGA
Audio Inputs	3 CH (stereo), (1xHDMI, 1xCinch (L/R), 1xTRS Connector)
Brightness	300 cd/m <sup>2</sup>
Contrast ratio	10.000:1
Number of Colours	16.7 million
Viewing Angle	170°(H) ~ 160°(V)
Response Time	5 ms
Screen Mode	4:3
Display protection	Tempered Glass
Speaker Output	3W (2x1.5W built-in)
PIP	On/Off
PBP	On/Off
MTBF at 25° C	> 100,000 hours
Operating Temperature	0°C ~ +40°C
Humidity	10 ~ 90% no condensation
Storage Temperature	-10°C ~ +60°C
Suitable for	VESA 75
Supply Voltage	12VDC, (100~240VAC, 50/60Hz)
Power Consumption	15 W
Weight	3.5 kg
Dimensions w*h*d	424 x 415 x 165 mm

## DIMENSIONS



## FRONT & REAR VIEW

---

