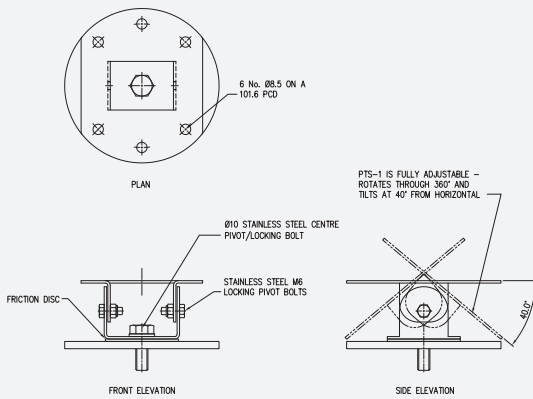


All brackets for camera mounting have a 127Ø mounting plate with 8 no Ø8.5 equ - spaced on 101.6 PCD

PTS-1



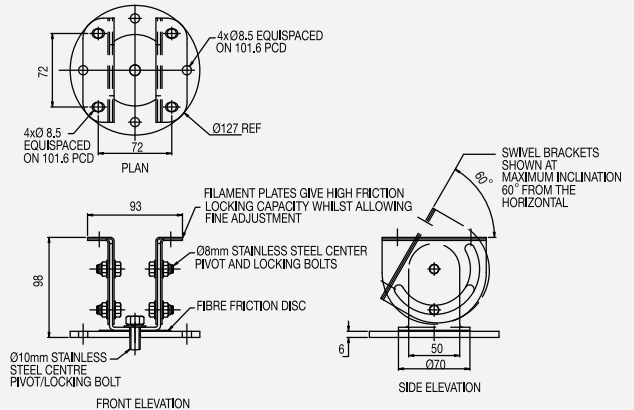
PTS-1 IS FULLY ADJUSTABLE - ROTATES THROUGH 360° AND TILTS AT 45° FROM HORIZONTAL

GENERAL DUTY ADJUSTABLE KNUCKLE FOR MOUNTING FIXED CAMERAS - ROBUST AND ECONOMIC.

LOAD RATING 15KGS

CONSTRUCTED IN MILD STEEL AND HOT DIP GALVANISED AFTER FABRICATION.

HAS-1

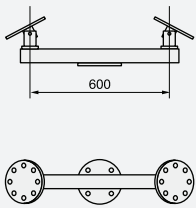


HIGH SPECIFICATION ADJUSTABLE KNUCKLE WHERE FINE ADJUSTMENT AND A SOLID PLATFORM ARE REQUIRED TO ENSURE ACCURATE RELIABLE CAMERA ALIGNMENT.

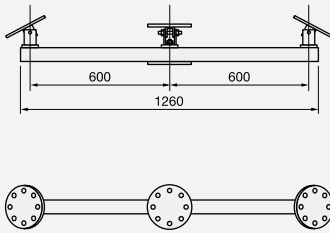
LOAD RATING 25KGS

MILD STEEL GALVANISED BASE PLATE
STAINLESS STEEL 'U' BRACKET AND FILAMENT MOUNTING PLATES

TB2- 600F Twin fixed mounting bracket



TB3- 600F Triple fixed mounting bracket

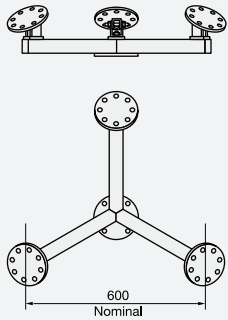


PTS-1

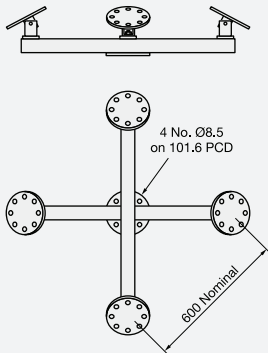


HAS-1

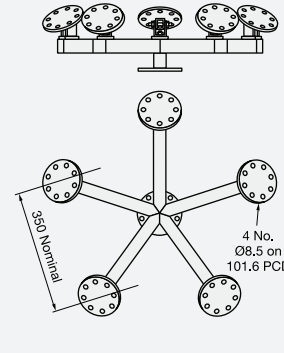
TB3-600FM Triple fixed mounting manx bracket



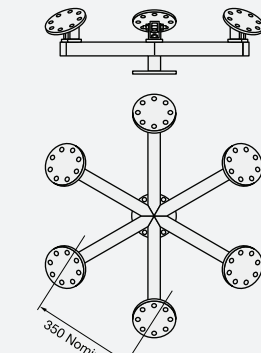
TB4-600F Quadruple fixed mounting bracket



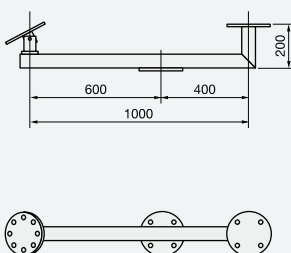
TB5- 600F Five way fixed mounting bracket



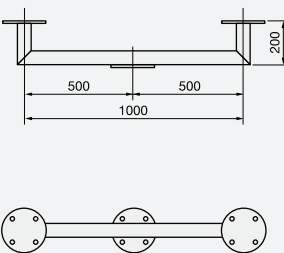
TB6- 600F Six way fixed mounting bracket



TB2-100SF/SPT fixed mounting bracket/PTZ



TB2-1000 twin PTZ mounting bracket



TB3-600 SPT/TF twin fixed/single PTZ mounting bracket

