



VCD-2010-HD



VCD-2010V-HD

✓ FEATURES

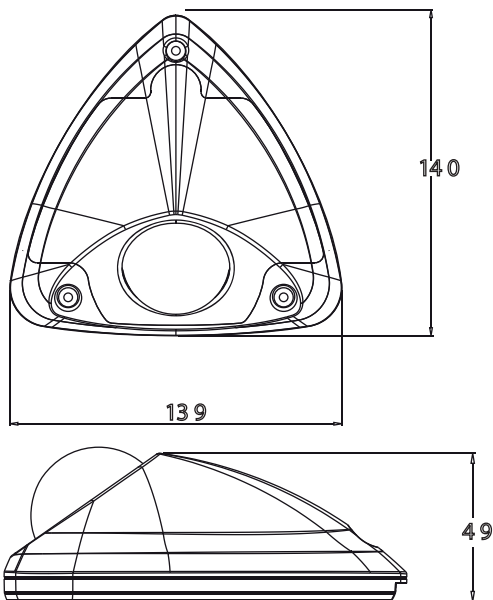
- 2.2M 1080P Full HD with Panasonic CMOS
- HD SDI
- Composite Video output (750TV Lines)
- BT 1120 digital Output
- 3.0mm Wide Lens
- Digital Zoom 4x
- Day & Night
- Wide Dynamic Range
- Privacy Mask Function
- On Screen Display
- Intelligent motion detection
- Multi protocol support
- Compact size flat type dome housing
- Aluminum Diecasting Vandal Dome Housing

✓ SPECIFICATIONS

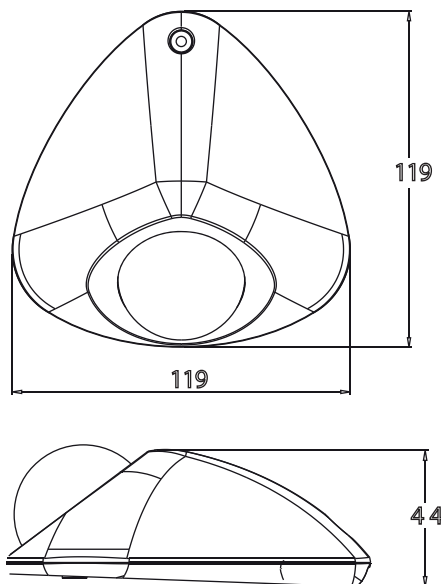
Model	VCD-2010-HD / VCD-2010V-HD
Image Sensor	1/3" Panasonic CMOS (MN34041PL)
Total pixels	2010(H) x 1108(V) = 2,227,080
Active pixels	1944(H) x 1092(V) = 2,122,848
Scanning system	Progressive
Resolution	Digital : 1080P(30P) , 720P(60P) / Analog : 750TV lines
Min. illumination	Color : 1.0Lux, BW : 0.5Lux, Color DSS : 0.002Lux , BW DSS : 0.0008Lux
Video output	Digital : BT.1120, HD-SDI / Analog : 1.0Vp-p(75 ohm, composite)
S/N ratio	More than 50dB(AGC off)
Gain Control	0~20
Shutter Speed	1/30 ~ 1/30,000 / 1/25 ~ 1/30,000
Digital Shutter Speed	Off / x2 / x3 / x4
Brightness	0~20steps
WDR/BLC	Off / WDR / BLC
Day&Night	Auto / Ext / Day / Night
DNR	Off / LOW / MIDDLE / HIGH
Mirror	Off / H / V / H+V
Sharpness	Off / On
E.Zoom	0~x32
Privacy Mask	Off / 28positions
Motion Detection	Off / 8positions
Comm.	Baud rate : 2400 / 4800 / 9600 / 19200 / 38400 / 57600
Power Source	DC 12V ± 10%
Power consumption	250mA
Power Input	Connector
Video output	Connector

✓ DIMENSIONS (mm)

Outdoor Vandal  
VCD-2010V-HD



Indoor Plastic  
VCD-2010-HD



Design and specifications are subject to change without notice