

**HD-SDI Cameras & Domes**

GBR-FB03 Base for GCH-KxxxxT series

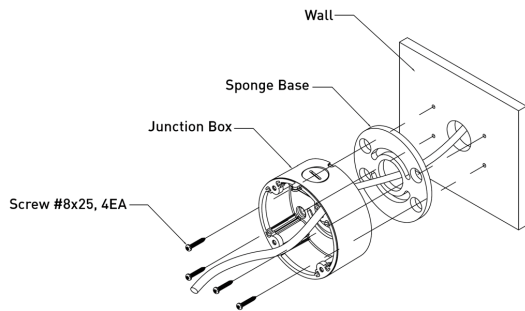
GBR-FB03.73.1.05.07.2012  
© ASP AG



**3. Installation**

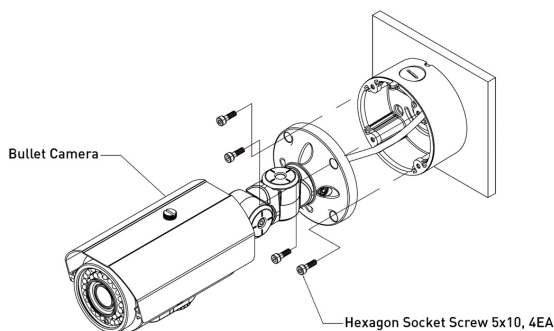
Mark the screwing holes with the included Mounting Template and drill the holes.

Connect the Sponge Base and the Junction Box as shown in the drawing to the wall/ceiling.



Make sure the cables are freely led through the Junction Box as shown in the drawing and that all screws are fixed tightly.

Connect the Camera to the Junction Box as shown in the drawing.



**Content:**

1. Introduction	1
2. Package Contents & Needed Items	1
3. Installation	2

**1. Introduction**

The GBR-FB03 can be used as a Junction Box for GCH-K0326T. If you need to place additional technology near the camera or cannot put the cable behind the wall, this Junction Box will help you to install the camera.

**2. Package Contents & Needed Items**

These parts are included:

- Junction Box
- Sponge Base
- 4x Phillips Screw 8x25
- 4x Hexagon Socket Screw 5x10
- Installation Instructions
- Mounting Template

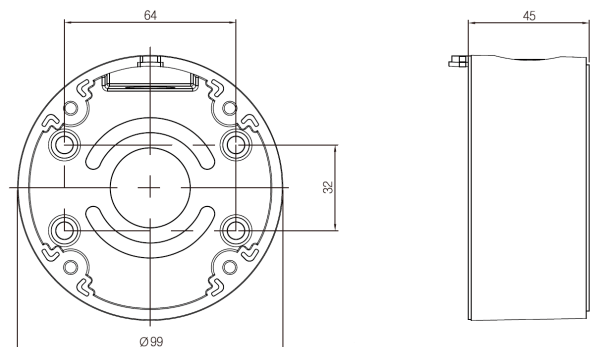
Tools Needed:

- Tool for drilling
- Allen Driver (included in the package of the camera)
- Phillips Screw Driver

**Specifications GBR-FB03**

Suitable for	GCH-K0326T
Body material	Die cast aluminium
Colour	Shiny white
Weight	0.2 kg
Dimensions (wxhxd)	Ø 99 X 45 mm

**Dimensions**



Attention:

Please do not make any page size adjustments in the printer settings when printing this Mounting Template.

