

HD-SDI Cameras & Domes

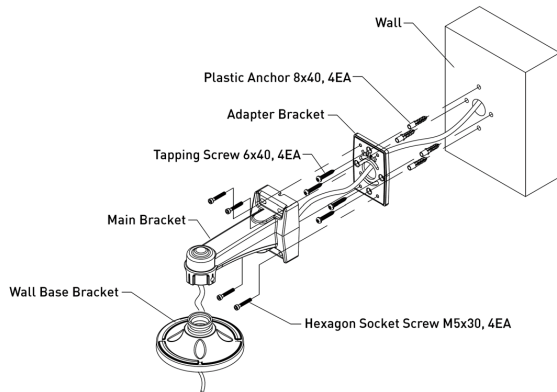
GBR-WA04 Wall bracket for GCH-KxxxxV series

GBR-WA04.70.1.05.07.2012
© ASP AG

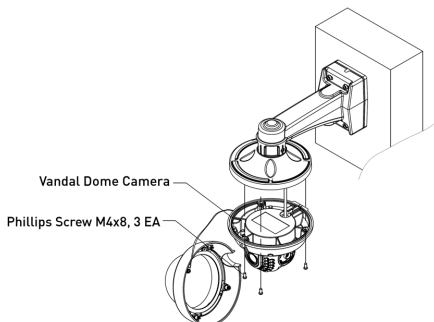


3.2. Mounting

Mark the screwing holes using the included Mounting Template and drill the holes. Connect the Adapter Bracket as shown in the drawing to the wall. Connect the Main Bracket as shown in the drawing to the Adapter Bracket. Connect the Wall Base Bracket to the Main Bracket as shown in the drawing.



Make sure the cables are led freely through the Bracket as shown in the previous drawing and that all screws are fixed tightly. Connect the Dome Camera to the Wall Bracket as shown in the following drawing.



Content:

1. Introduction	1
2. Package Contents & Needed Items	1
3. Installation	1
1. Installation Remarks	1
2. Mounting	2

1. Introduction

The GBR-WA04 can be used to mount the cameras GCH-K0323V & GCH-K0326V to a wall. The items and tools needed for this mounting are listed as follows.

2. Package Contents & Needed Items

These parts are included:

- Wall Mount
- Adapter Bracket
- 4x Tapping Screw (Phillips Screw) 6x40
- 4x Plastic Dowel 8x40
- 2x Hexagon Screw 8x8
- 4x Hexagon Screw 5x30
- 4x Phillips Screw 4x8
- Allen Wrench (4mm)
- Installation Instructions
- Mounting Template

Tools needed:

- Tool for drilling
- Phillips Screw Driver

3. Installation

3.1. Installation Remarks

Install the mount onto a strong structure such as a concrete wall, steel beam, etc.

Avoid installing the mount onto an unstable structure such as a gypsum wall panel.

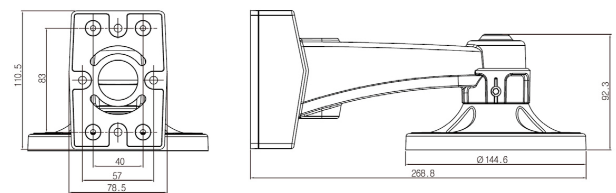
When installing the mount on to concrete only use specific concrete screws and plugs, all the screw parts must be metallic.

When installing the mount onto wood avoid screwing too close to the edge of a piece of wood.

Specifications GBR-WA04

Suitable for	GCH-K0323V, GCH-K0326V*
Load max.	2 kg
Body material	Aluminium
Colour	White
Weight	0.715 kg
Dimensions (wxhxd)	144.6 x 110.5 x 268.8 mm

Dimensions



Attention:

Please do not make any page size adjustments in the printer settings when printing this Mounting Template.

